



# Assembly Instruction

ITEM NO: 9702BE-2A

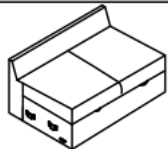


(2/3) Armless 2-Seater with Pull-out Bed



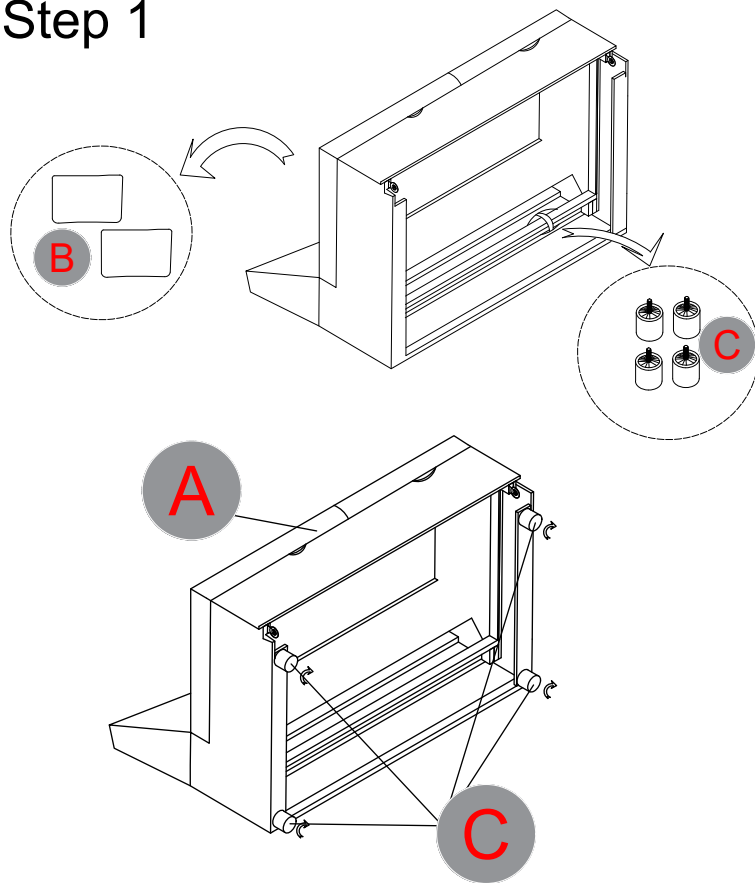
Back cushions are located on the seat, legs are stored at the bottom of 2-Seater for assembly.

Note: Do not use power tools for assembly. Power tools increase the risk of over tightening which lead to splitting or cracking the wood.

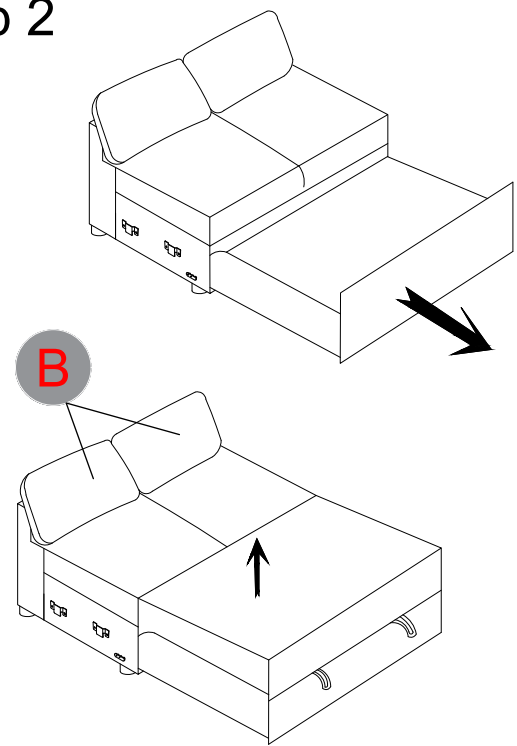
## Component list

NO	Drawing	Qty	Description
A		1	2-Seater
B		2	Back Cushion
C		4	Plastic Leg ( Ø60*40mm)

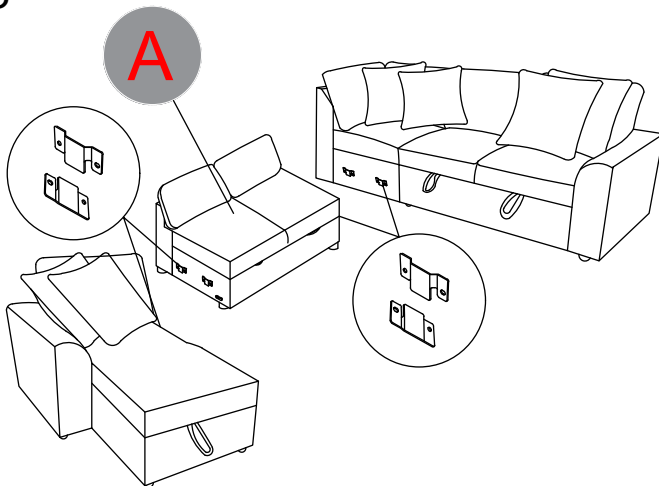
## Step 1



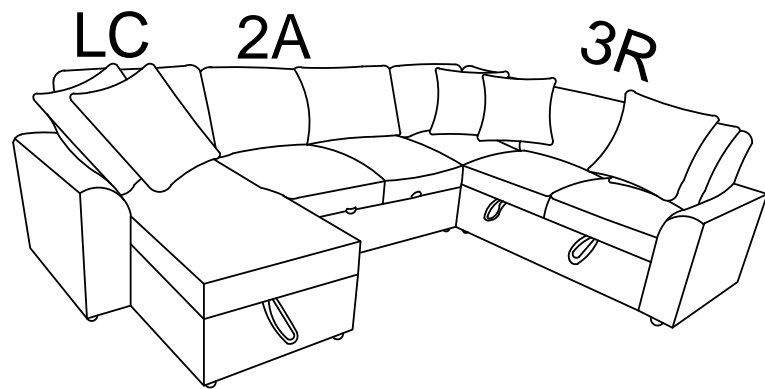
## Step 2



## Step 3



## ALL IN 1 SET



## Care Instruction for Chenille Furniture:

In order to maintain the original appearance of your Chenille Furniture please follow below simple care procedures:

- Avoid exposing furniture directly to sunlight or heating and air conditioning outlets. Sunlight and or exposure to heating and air conditioning outlets will fade/damage Chenille
- Vacuum or wipe with a soft cloth to remove dust.
- Hardware may loosen over time. Periodically check to make sure all connection are tight, Re-tighten if necessary



For items use on wooden floor, hard surfaces or carpets, it is recommended to Install protective pads under all legs and supports to avoid/prevent from damages/scratches and discoloration.