



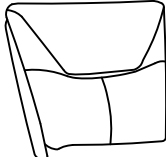
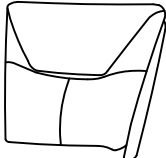
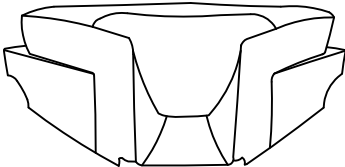
# Assembly Instruction

## CORNER SEAT

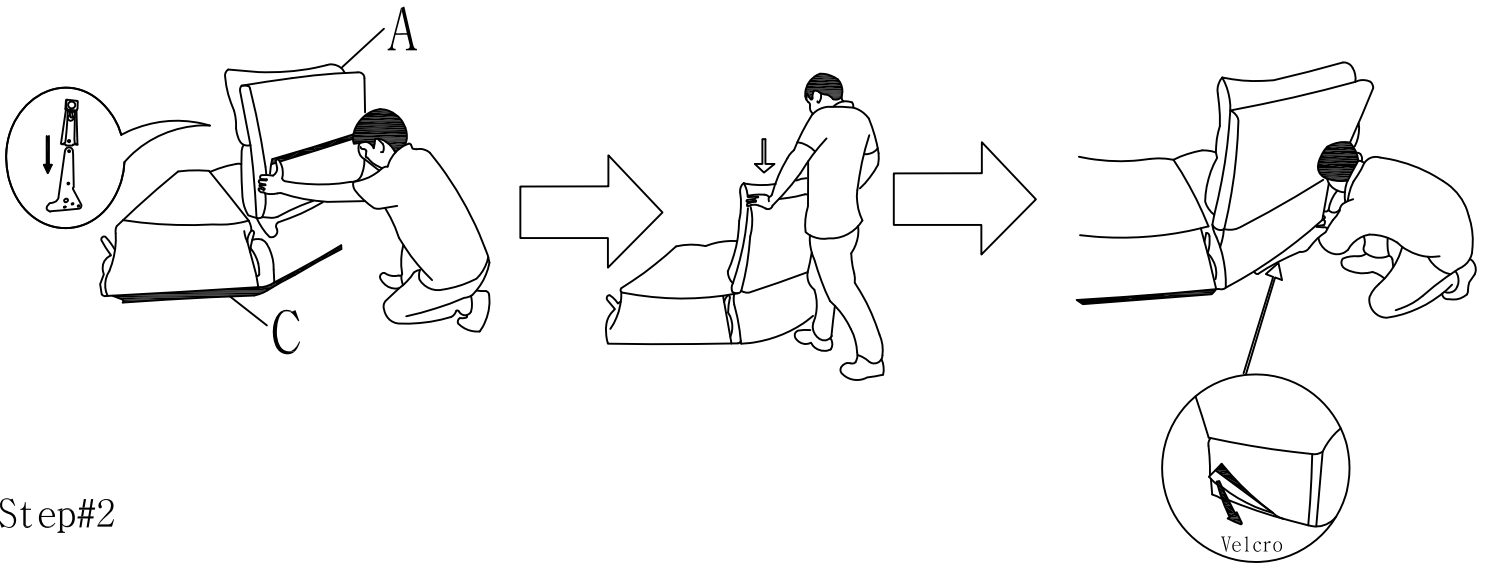
### ITEM NO.9579GRY-CR

NOTE:Do not use power tools for assembly. Power tools increase the risk of over tightening which lead to splitting or cracking the wood.

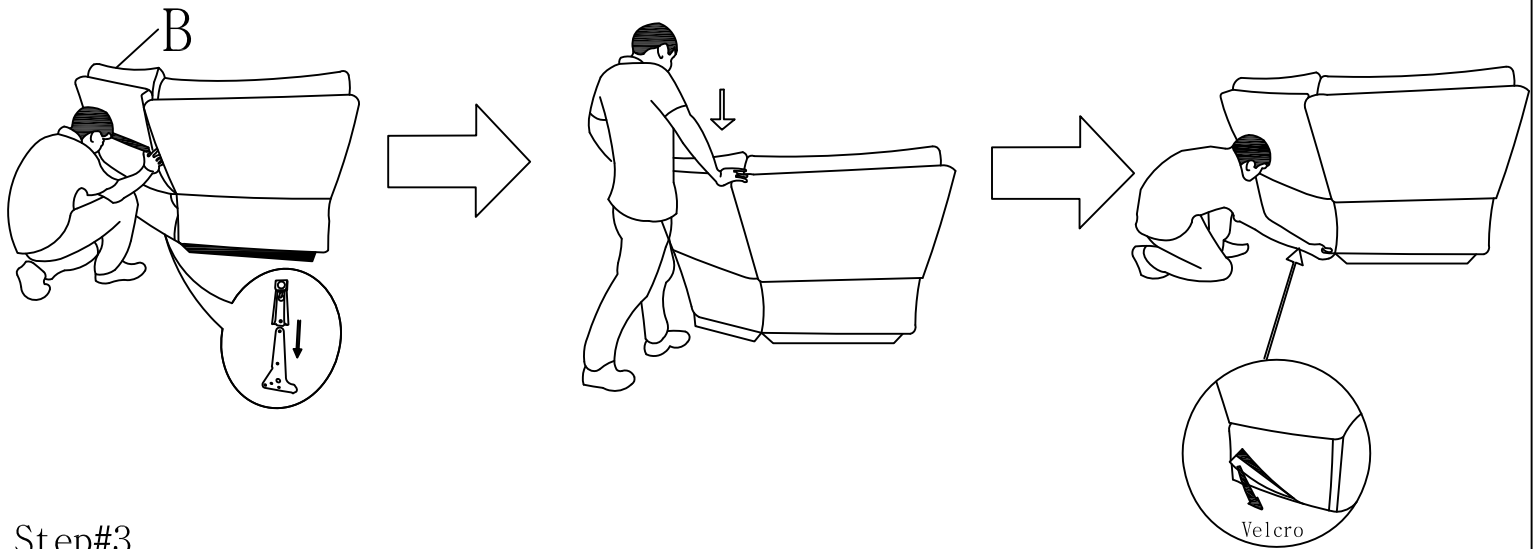
#### COMPONENT LIST

NO.	DRAWING	QTY	DESCRIPTION
A		1PC	LSF CORNER BACK REST
B		1PC	RSF CORNER BACK REST
C		1PC	CORNER SEAT

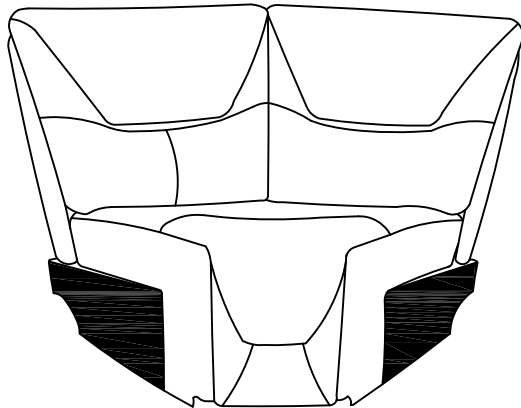
Step#1



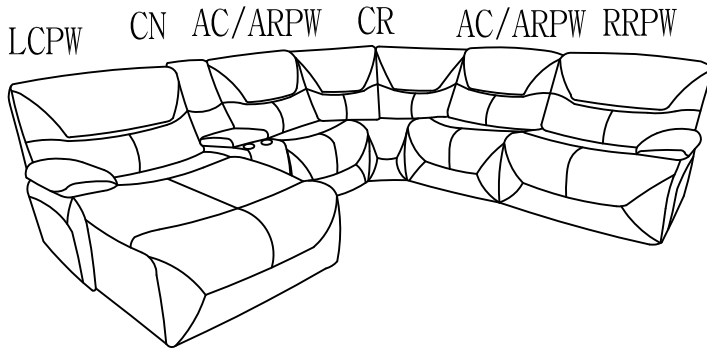
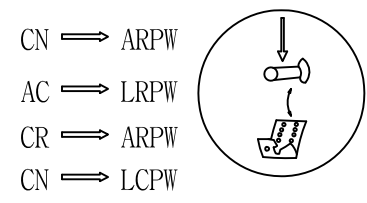
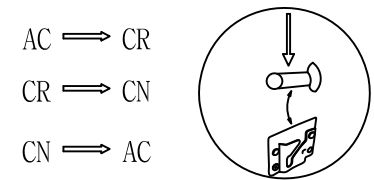
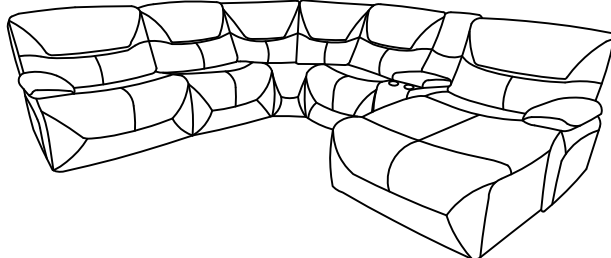
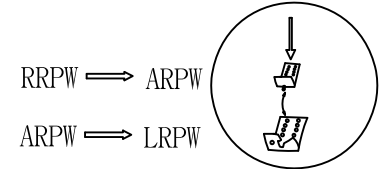
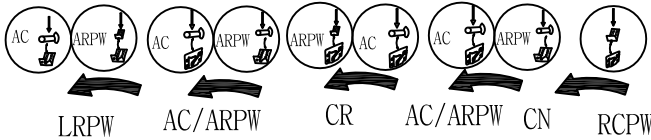
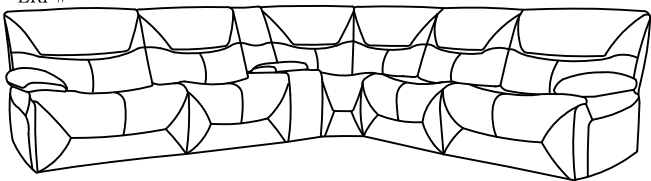
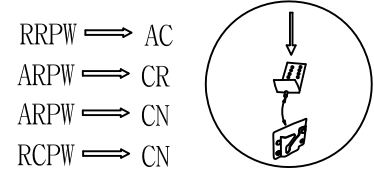
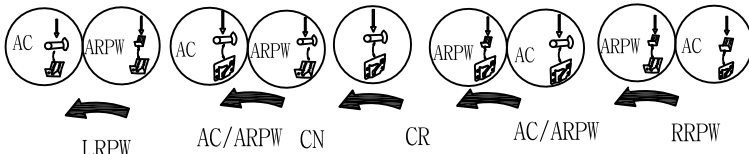
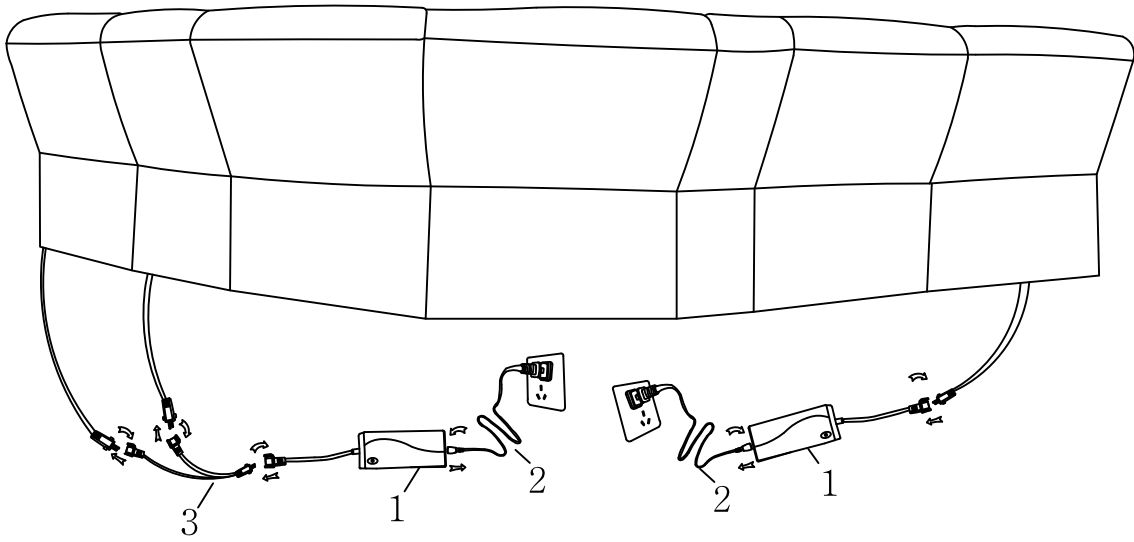
Step#2



Step#3



Step#4



CARE INSTRUCTION FOR LEATHER GEL

In order to maintain the original appearance of your leather gel, please follow below simple care procedure:

- Avoid exposing furniture directly to sunlight or heating and air conditioning outlets. Exposure to sunlight or heating and air conditioning outlets will fade/damage leather gel.
- Wipe gently with a damp soft cloth to remove dust, dirt and any grime build up.

PLEASE KEEP ASSEMBLY INSTRUCTION FOR FUTURE REFERENCE