

Assembly Instruction

ITEM NO.: 9555BEG/9555BRW-VC

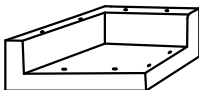




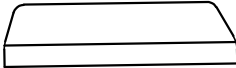
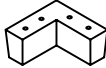
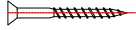


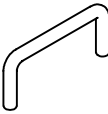
(3/3) Reversible Chaise



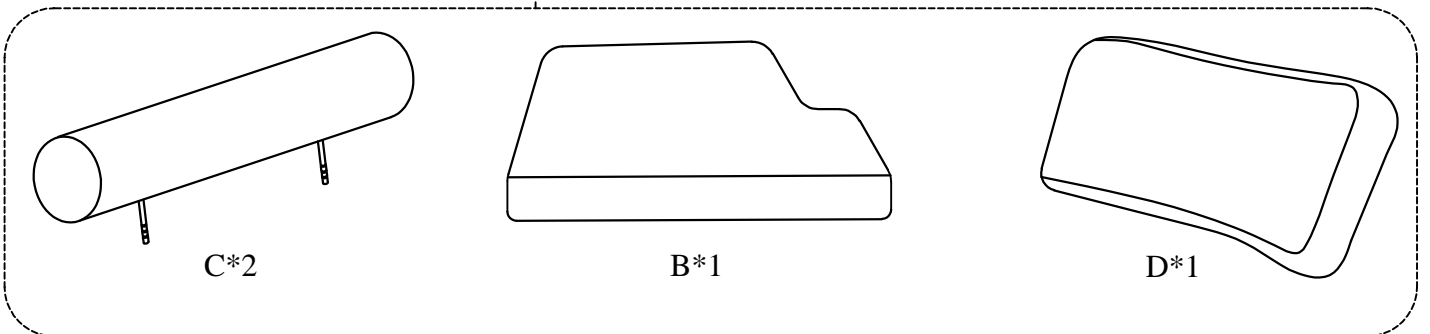
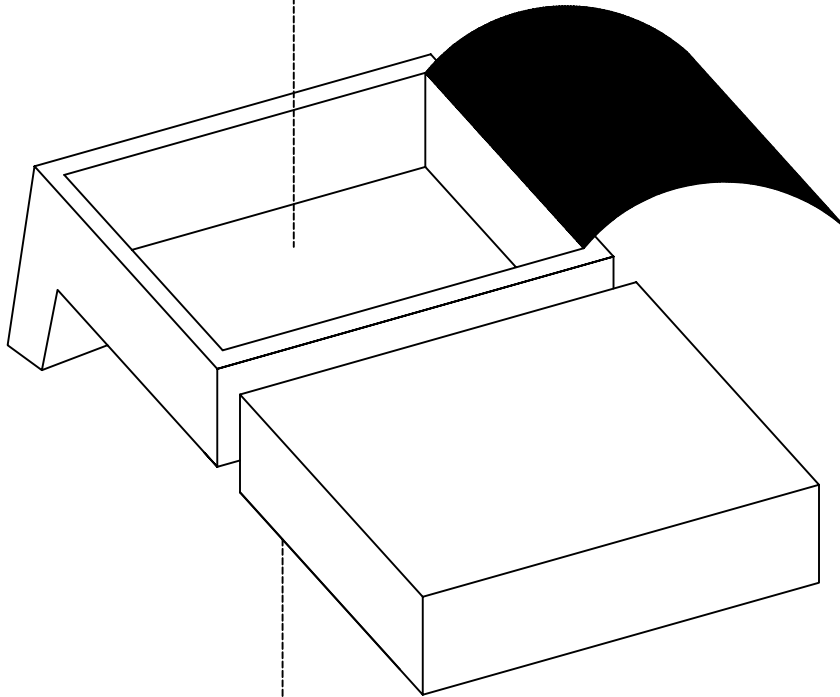
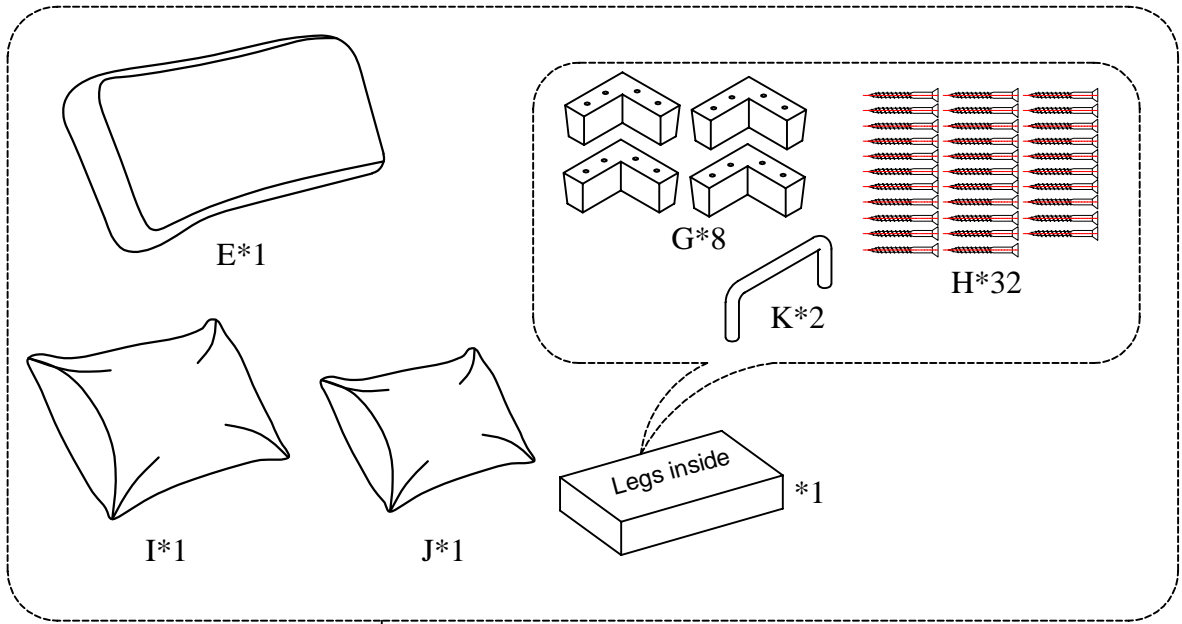
Legs & hardware are stored in the box, please take out the legs and hardware for assembly.

Note: Do not use power tools for assembly. Power tools increase the risk of over tightening which lead to splitting or cracking the wood.

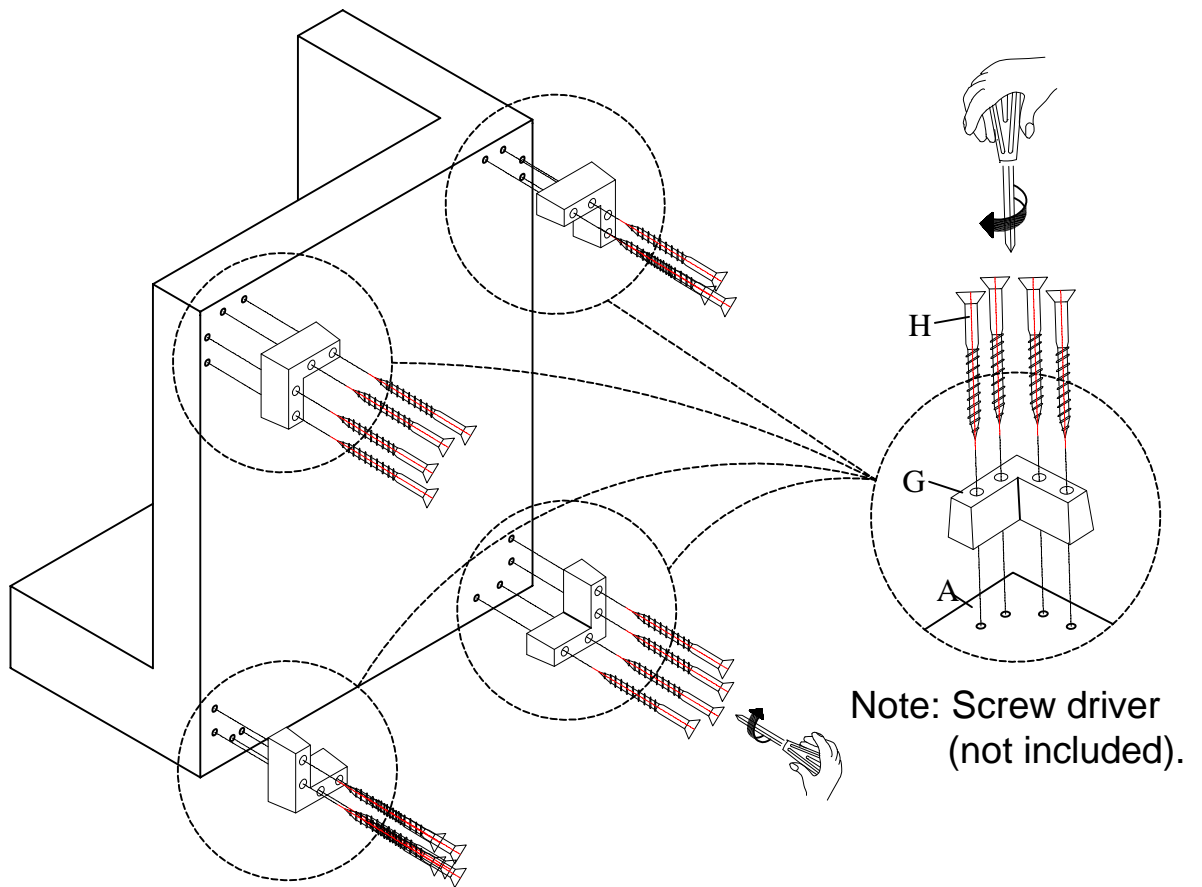
Chair Component list

| No | Drawing | Qty | Description |
|----------|---|-----------|--|
| A |  | 1 | SEAT |
| B |  | 1 | SEAT CUSHION |
| C |  | 2 | HEADREST |
| D |  | 1 | LONG BACK CUSHION |
| E |  | 1 | SHORT SIDE CUSHION |
| F |  | 1 | OTTOMAN |
| G |  | 8 | PLASTIC LEG 150*150*70mm |
| H |  | 32 | SCREW M4*70mm |
| I |  | 1 | SQUARE PILLOW 550*550*120mm |
| J |  | 1 | SQUARE PILLOW 480*480*120mm |
| K |  | 2 | CONNECTION LOCK 78*50*40mm |

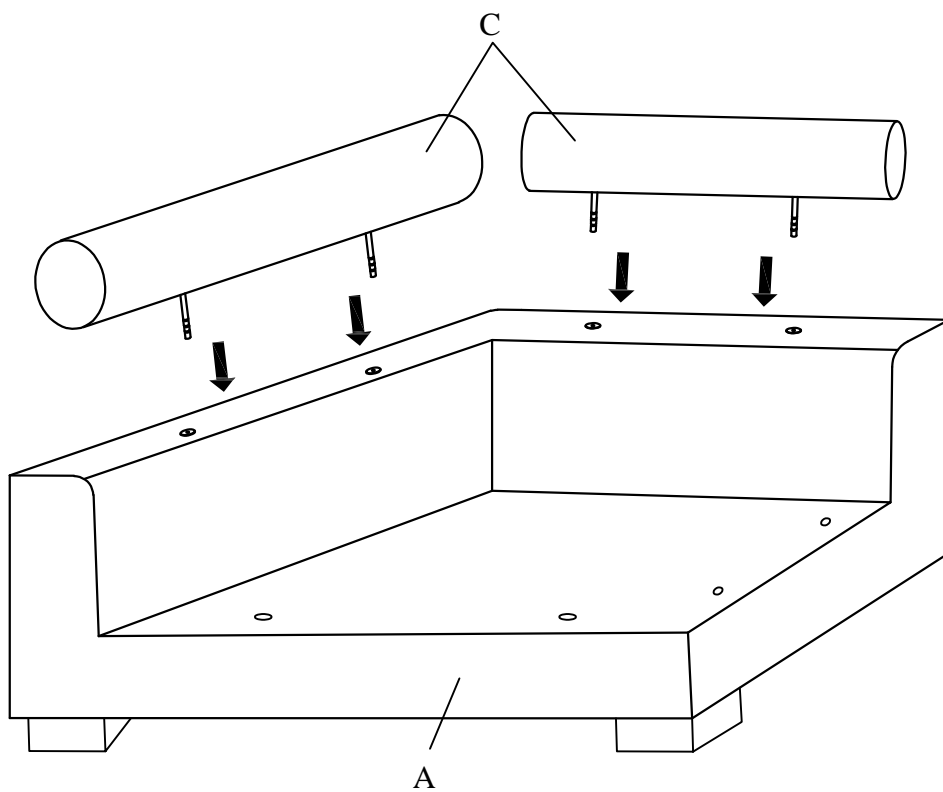
THE PARTS ARE LOCATED INSIDE THE BOX AS BELOW:



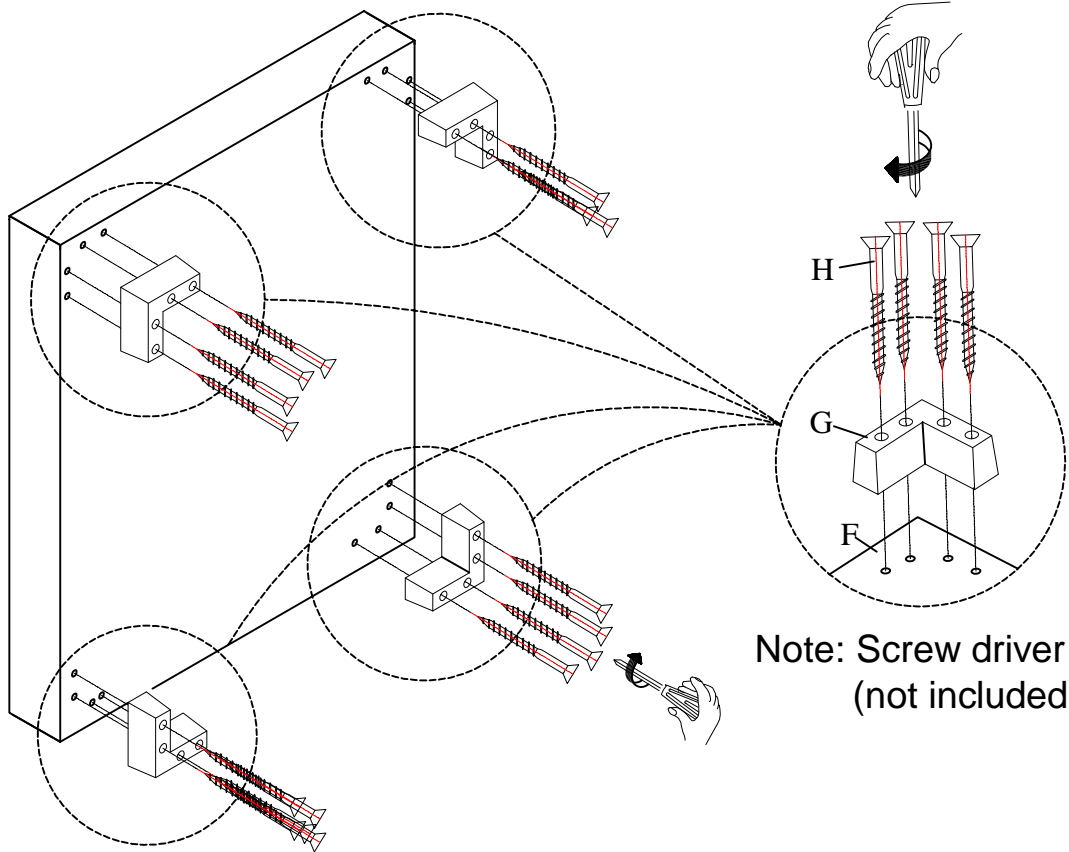
Step #1



Step #2



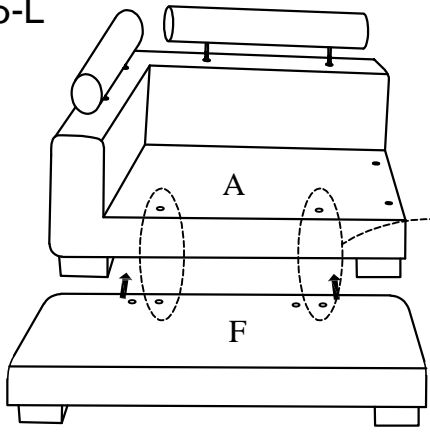
Step #3



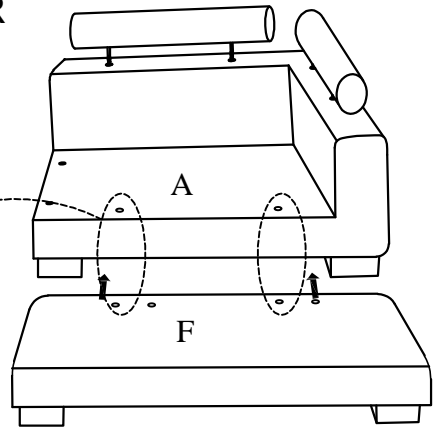
Step #4



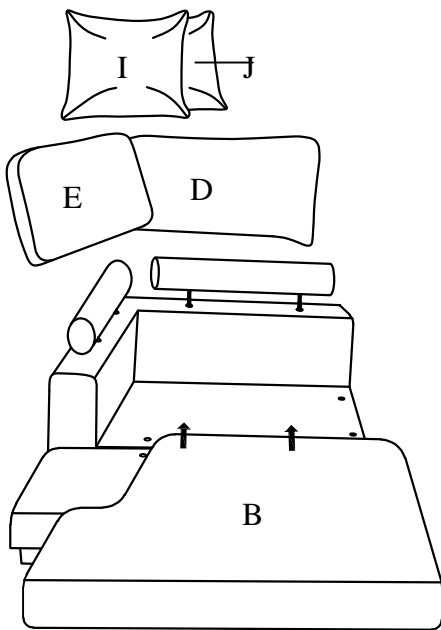
Step #5-L



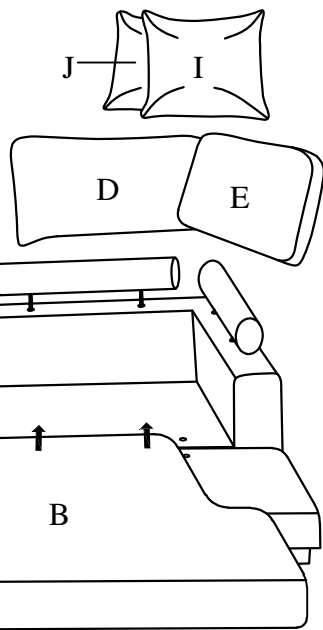
Step #5-R



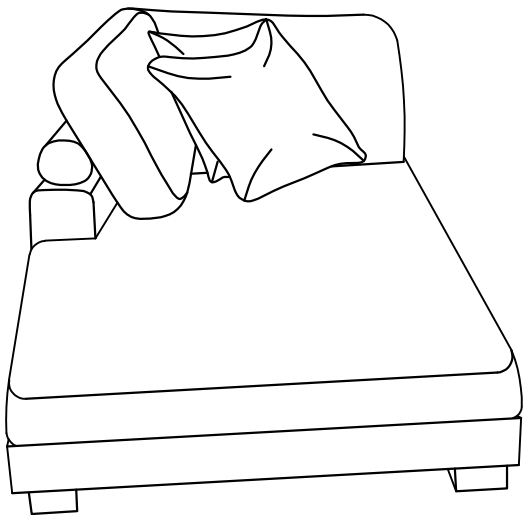
Step #6-L



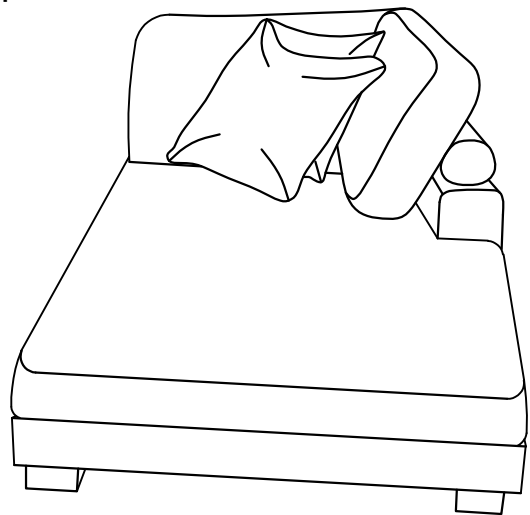
Step #6-R



Step #7-L



Step #7-R

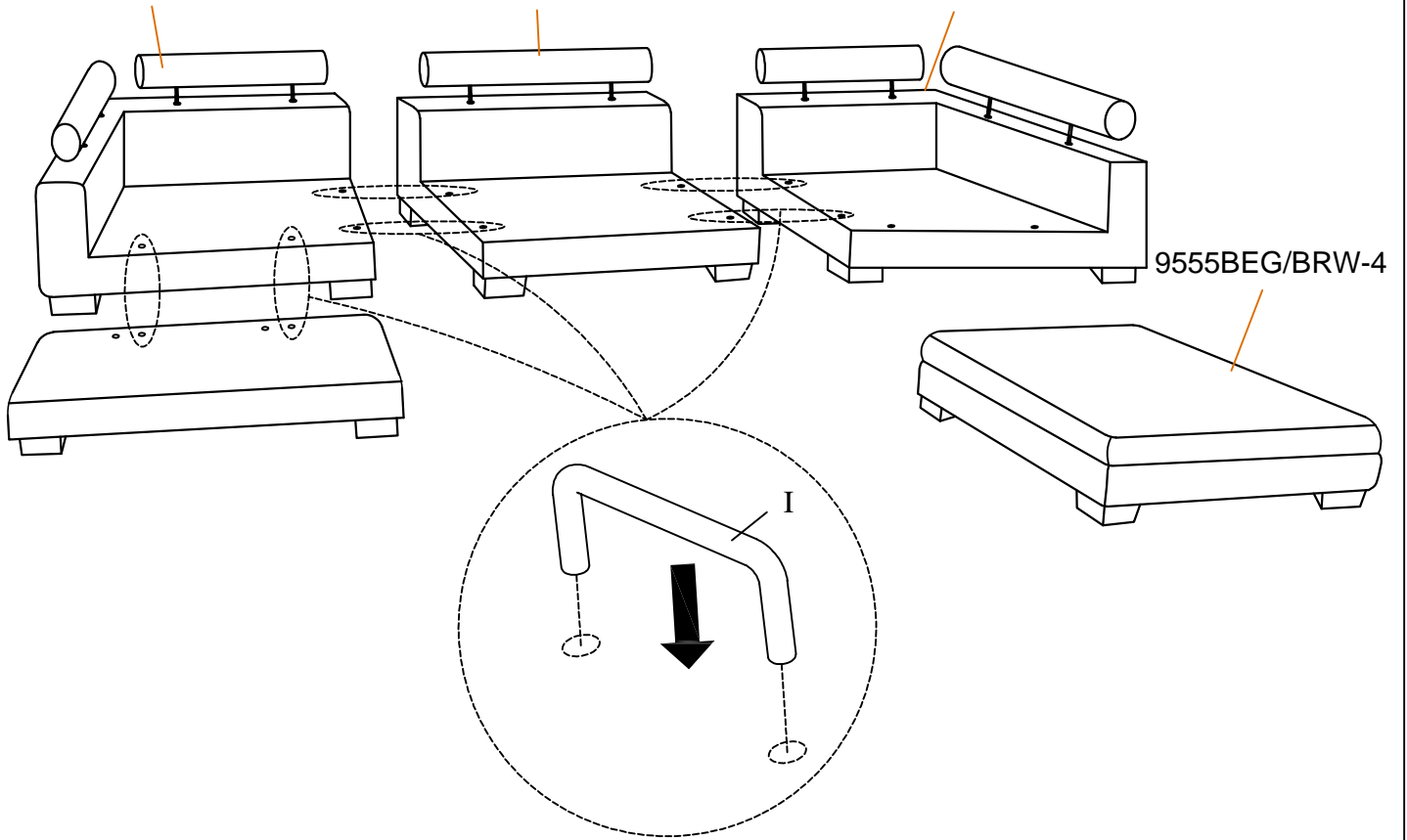


Step #8-L

9555BEG/BRW-VC

9555BEG/BRW-AC

9555BEG/BRW-CR

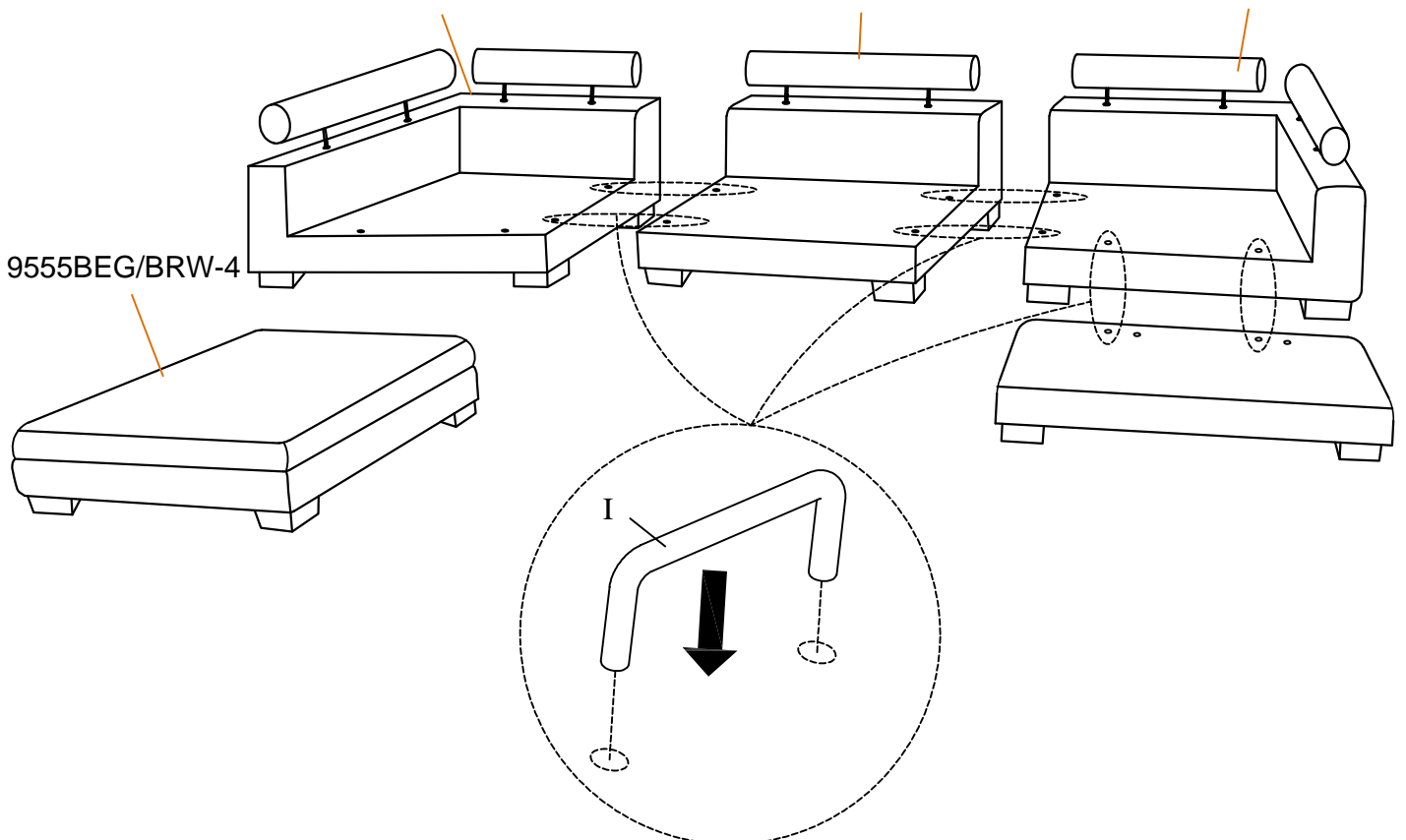


Step #8-R

9555BEG/BRW-CR

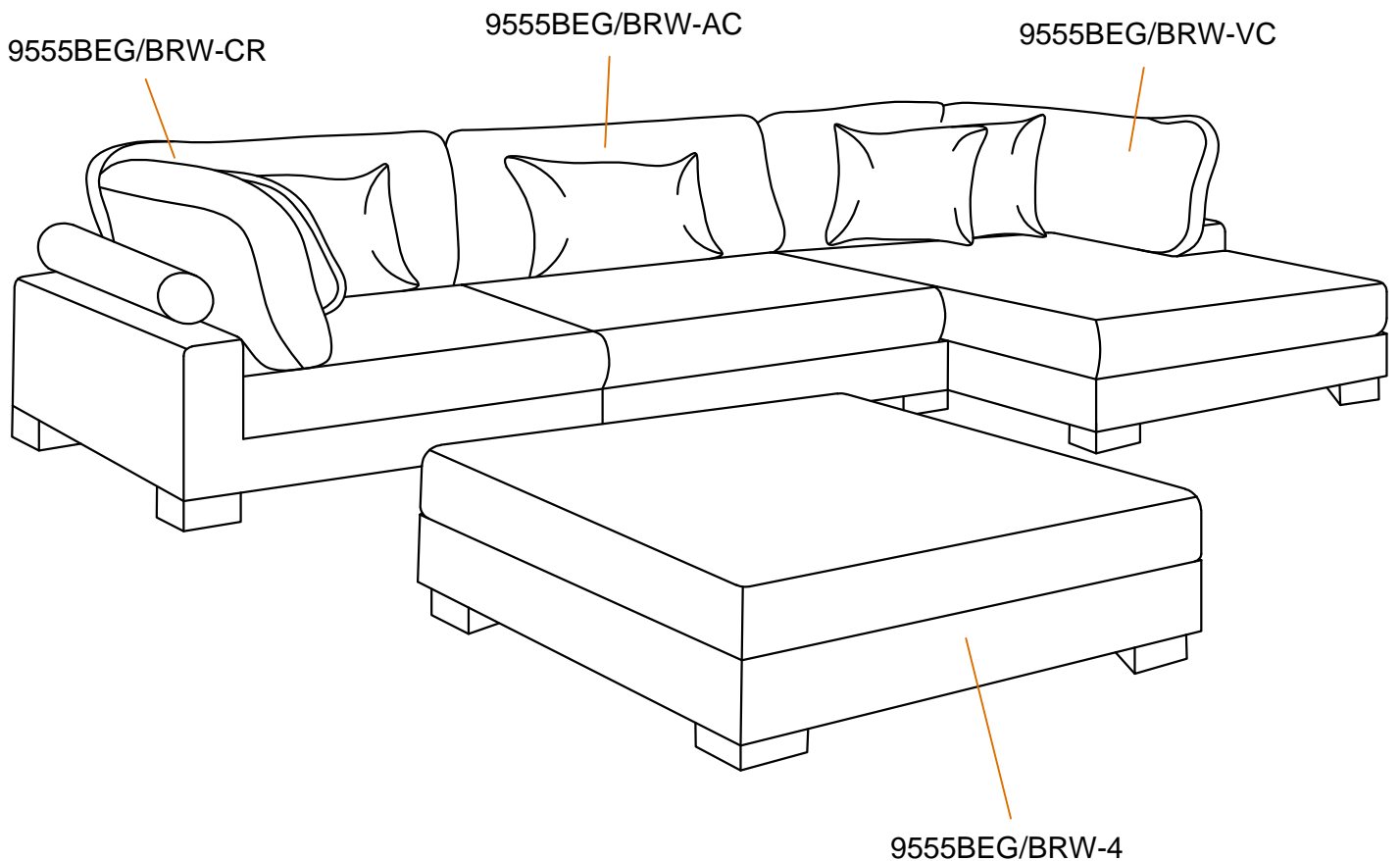
9555BEG/BRW-AC

9555BEG/BRW-VC



Step #9

Assembly completed.



Care Instruction for Textured microfiber Furniture:

In order to maintain the original appearance of your Textured microfiber please follow below simple care procedures:

- Avoid exposing furniture directly to sunlight or heating and air conditioning outlets. Sunlight and/or exposure to heating and air conditioning outlets will fade/damage Textured microfiber. Do not place your upholstered furniture too close to windows, radiators, or vents, and be sure to use windows, radiators, or vents.
- Vacuum or wipe with a soft cloth to remove dust.
- Hardware may loosen over time. Periodically check to make sure all connections are tight. Re-tighten if necessary.



For items use on wooden floor, hard surfaces or carpets, it is recommended to Install protective pads under all legs and supports to avoid/prevent from damages/scratches and discoloration.