



# Assembly Instruction

ITEM NO.: 9555BEG/9555BRW-4

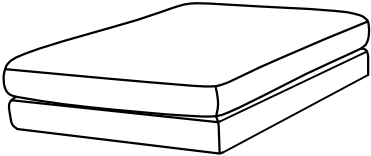
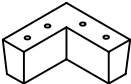
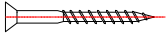
Ottoman



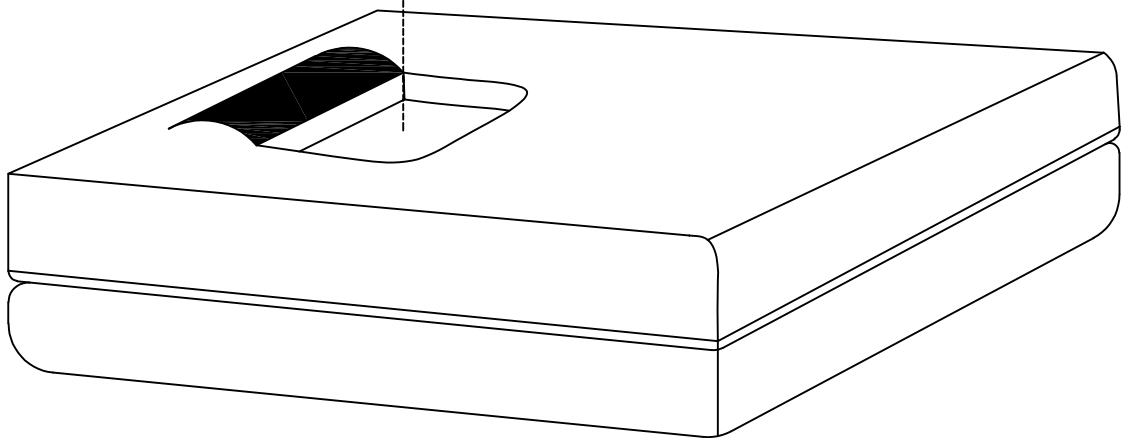
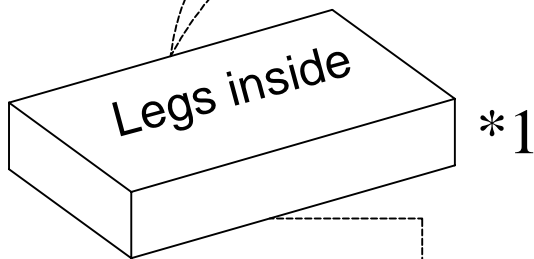
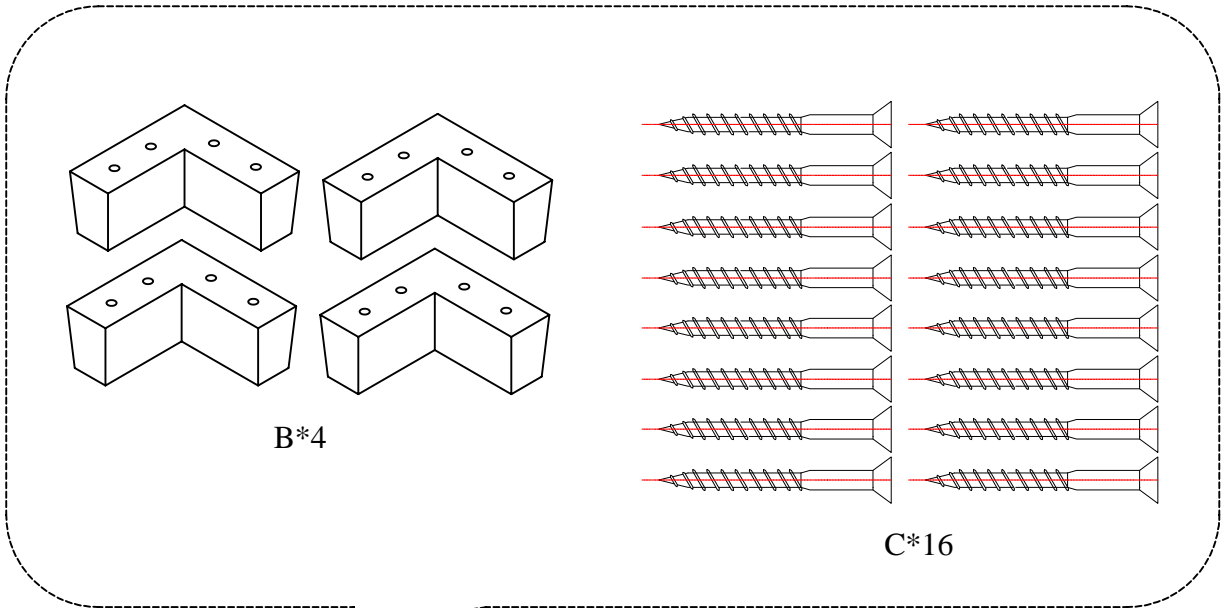
Legs & hardware are stored in the box, please take out the legs and hardware for assembly.

Note: Do not use power tools for assembly. Power tools increase the risk of over tightening which lead to splitting or cracking the wood.

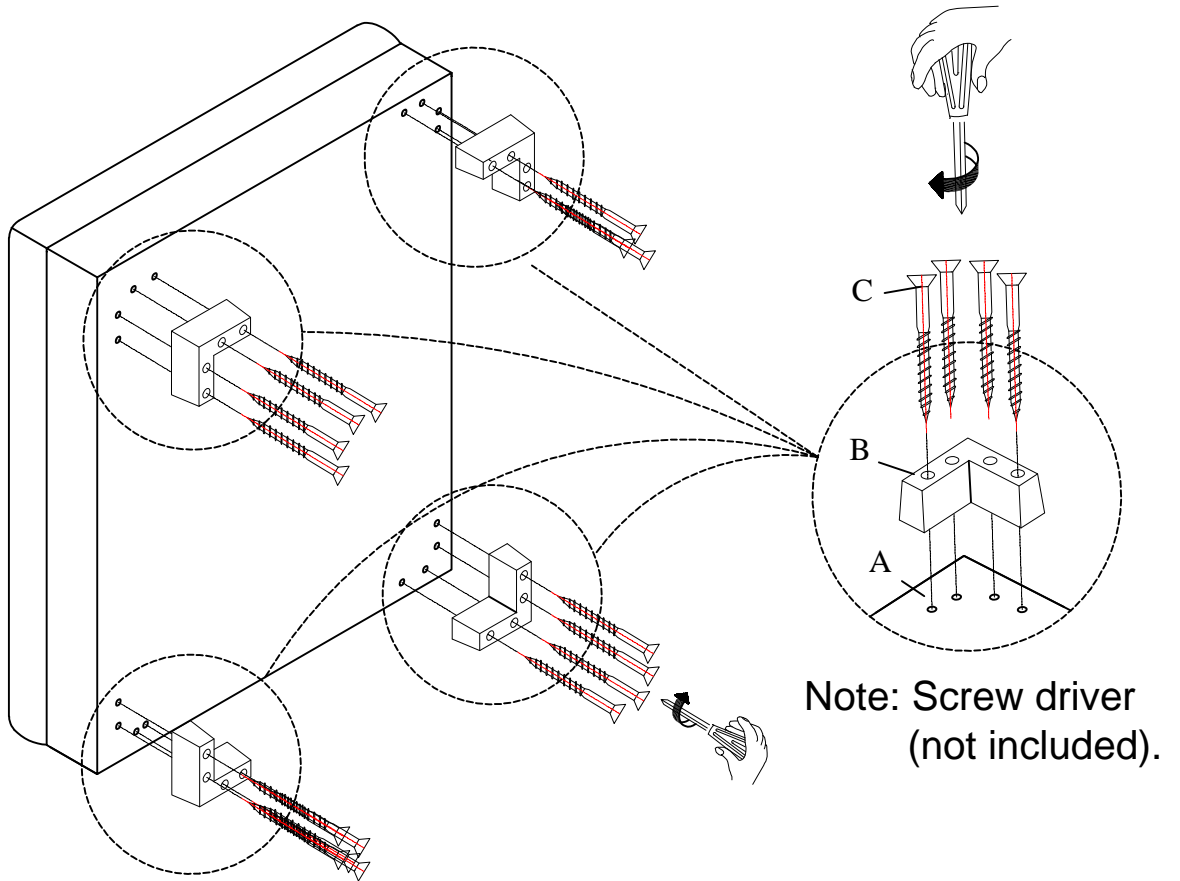
## Chair Component list

No	Drawing	Qty	Description
<b>A</b>		<b>1</b>	<b>SEAT</b>
<b>B</b>		<b>4</b>	<b>PLASTIC LEG 150*150*70mm</b>
<b>C</b>		<b>16</b>	<b>SCREW M4*70mm</b>

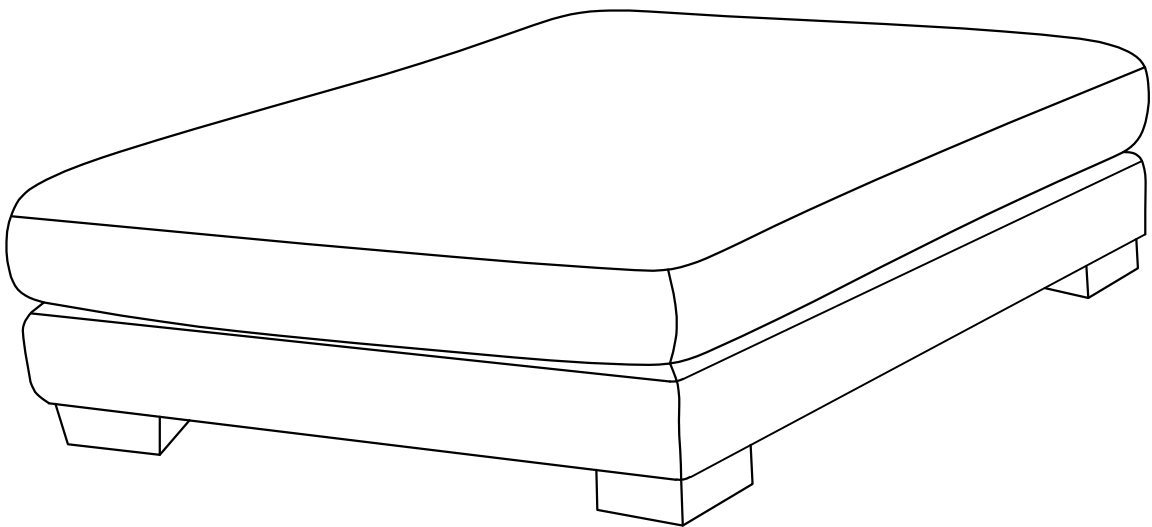
# THE PARTS ARE LOCATED INSIDE THE BOX AS BELOW:



## Step #1

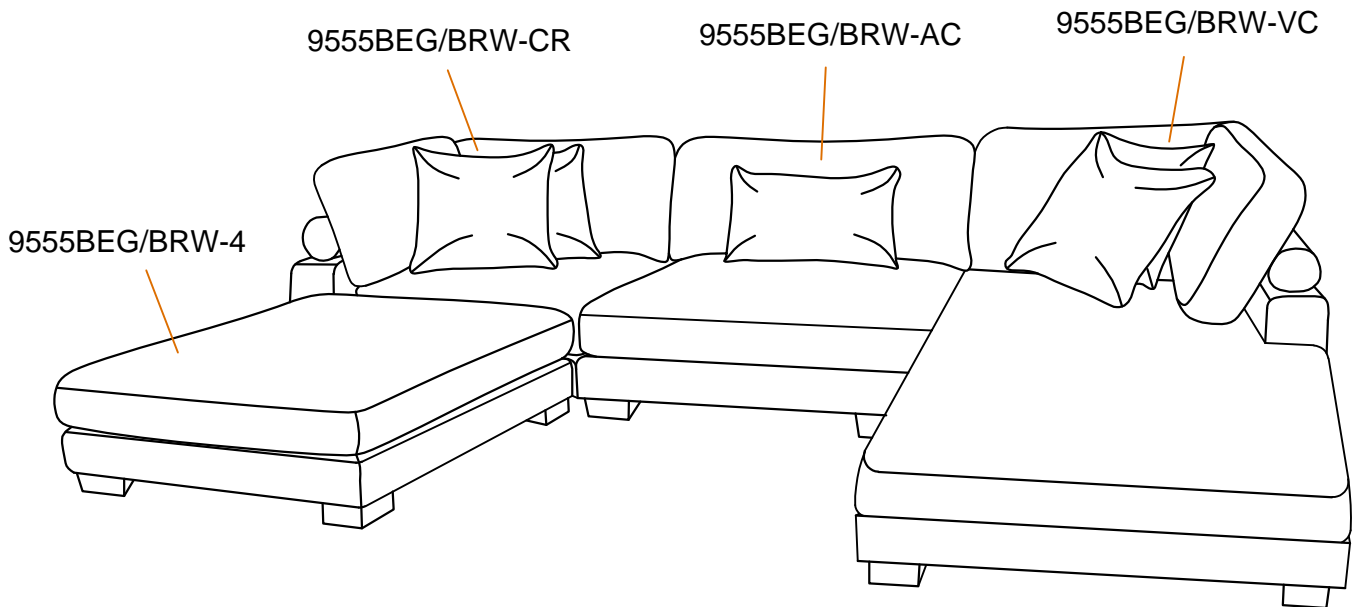


## Step #2



### Step #3

Assembly completed.



## Care Instruction for Textured Microfiber Furniture:

In order to maintain the original appearance of your textured microfiber please follow below simple care procedures:

- Avoid exposing furniture directly to sunlight or heating and air conditioning outlets. Sunlight and/or exposure to heating and air conditioning outlets will fade/damage textured microfiber. Do not place your upholstered furniture too close to windows, radiators, or vents, and be sure to use windows, radiators, or vents.
- Vacuum or wipe with a soft cloth to remove dust.
- Hardware may loosen over time. Periodically check to make sure all connections are tight. Re-tighten if necessary.



For items use on wooden floor, hard surfaces or carpets, it is recommended to Install protective pads under all legs and supports to avoid/prevent from damages/scratches and discoloration.