



Assembly Instruction
CORNER SEAT, 1 PILLOW
ITEM NO.: 9546GY-CR



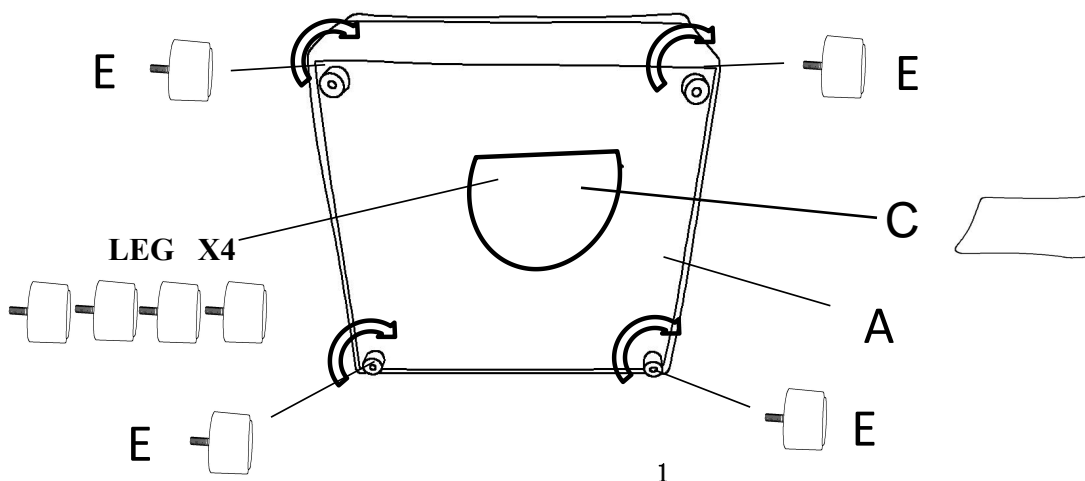
Legs are stored in the bottom of the unit, please take out for assembly.

NOTE: Do not use power tools for assembly. Power tools increase the risk of over tightening which leads to splitting or cracking the wood.

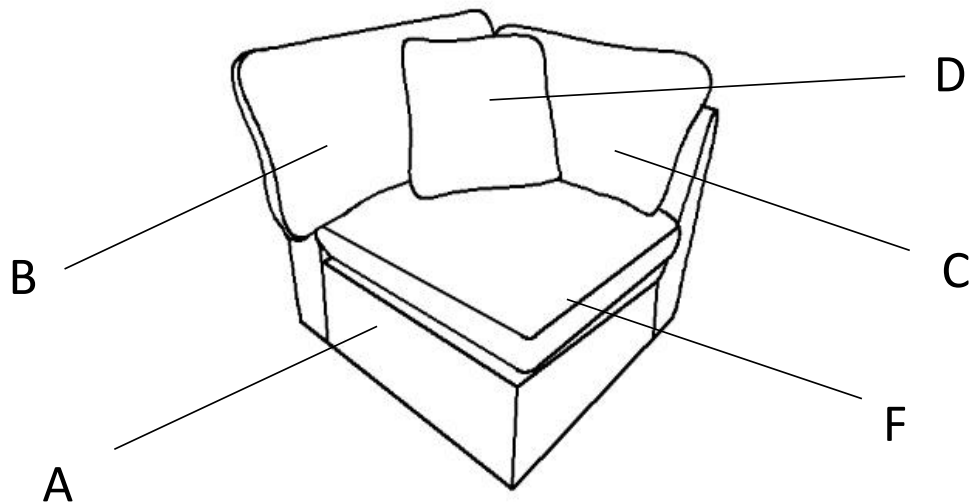
COMPONENT LIST

| NO. | DRAWING | QTY | DESCRIPTION |
|-----|---------|-----|--------------------------|
| A | | 1 | SEAT |
| B | | 1 | LSF BACK CUSHION |
| C | | 1 | RSF BACK CUSHION |
| D | | 1 | PILLOW |
| E | | 4 | PLASTIC LEG 1.6"*2.4" |
| F | | 1 | SEAT CUSHION |

Step 1#



Step #2



Care Instruction for 100% Polyester Furniture.

In order to maintain the original appearance of your 100% Polyester furniture, please follow below simple care procedures:

- **Avoid exposing furniture directly to sunlight or heating and air conditioning outlets.**

Sunlight and/or exposure to heating and air conditioning outlets will fade/damage 100% Polyester . Do not place your 100% Polyester furniture too close to windows,radiators,or vents.

- **Vacuum or wipe with a soft brush to remove dust.**
- **Do not pull out hang tag.Use scissors to cut off the plastic string.**



For items use on wooden floor, hard surfaces or carpets, it is recommended to Install protective pads under all legs and supports to avoid/prevent from damages/scratches and discoloration.