



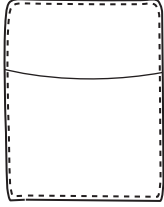
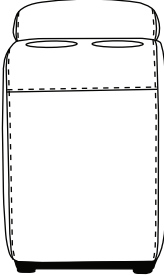
## Assembly Instruction

### CONSOLE

### ITEM NO.:8259 RFDB/RFTP-CN

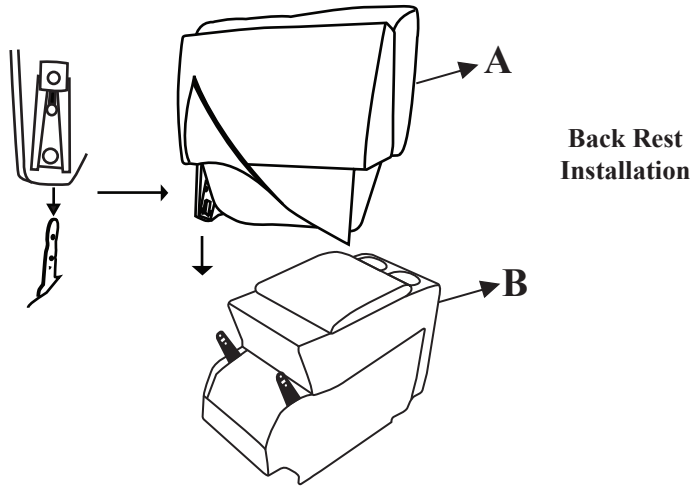
**NOTE: Do not use power tools for assembly. Power tools increase the risk of over tightening which leads to splitting or cracking the wood.**

#### COMPONENT LIST (CHAIR)

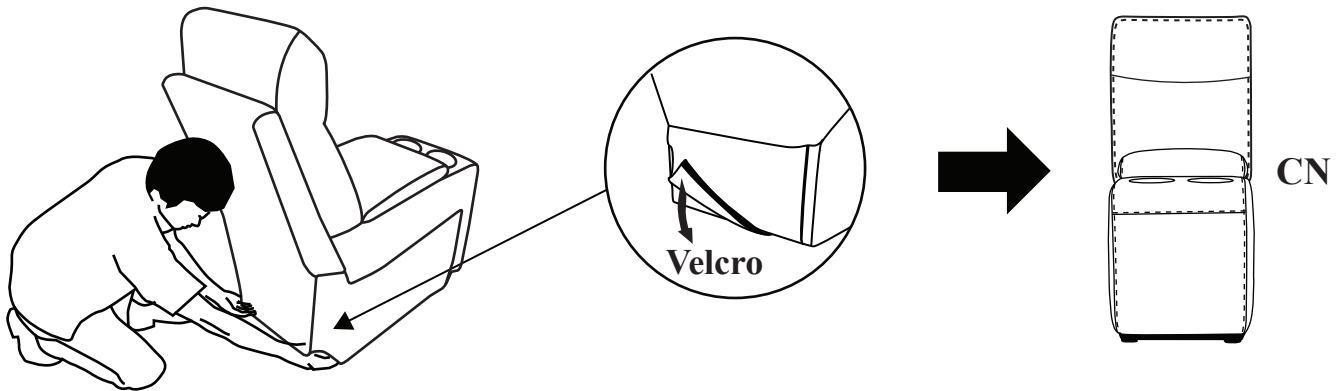
NO.	DRAWING	QTY	DESCRIPTION
<b>A</b>		<b>1 PC</b>	<b>BACK REST</b>
<b>B</b>		<b>1 PC</b>	<b>CONSOLE</b>

**STEP#1**

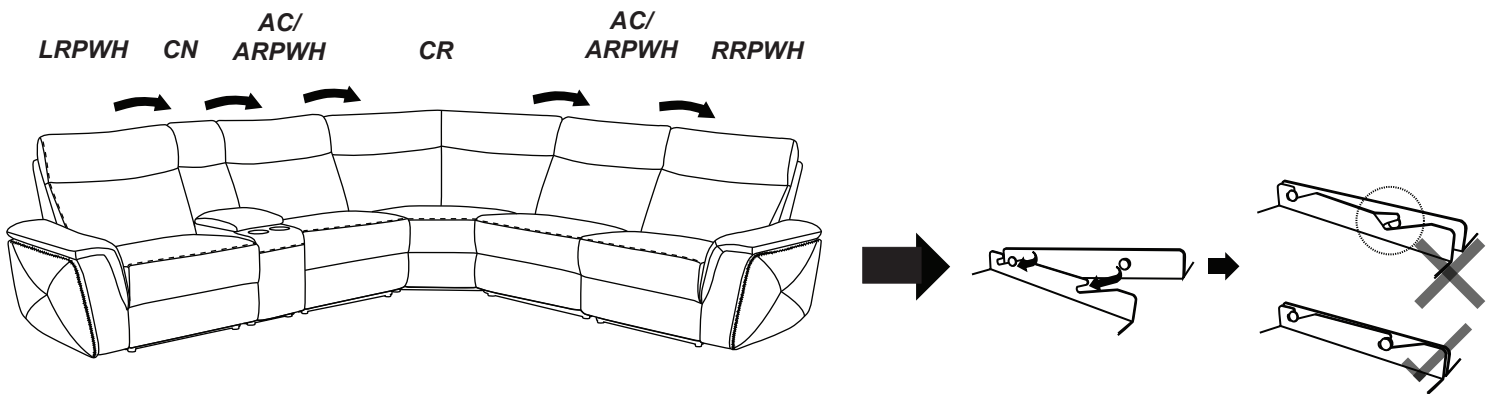
Align the female brackets at the back rest onto the male brackets at the seat, insert back rest to the seat then push to the end and make sure it is fixed in position securely.



**STEP#2**



**STEP#3**



**CARE INSTRUCTION FOR GENUINE ALL LEATHER:**

**In order to maintain the original appearance of your leather furniture, please follow below simple care procedure :**

- Avoid exposing furniture directly to sunlight or heating and air conditioning outlets. Exposure to sunlight or heating and air conditioning outlets will fade/damage leather.
- Wipe gently with a damp soft cloth to remove dust, dirt and any grime build up.