





Assembly Instruction GLIDER RECLINING CHAIR

ITEM NO.: 8206GRY-1/8206BRW-1/8206NF-1

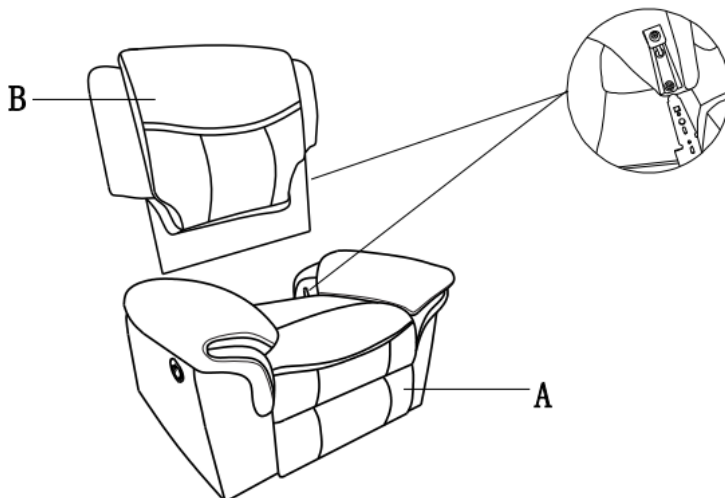
NOTE: Do not use power tools for assembly. Power tools increase the risk of over tightening which leads to splitting or cracking the wood.

COMPONENT LIST (CHAIR)

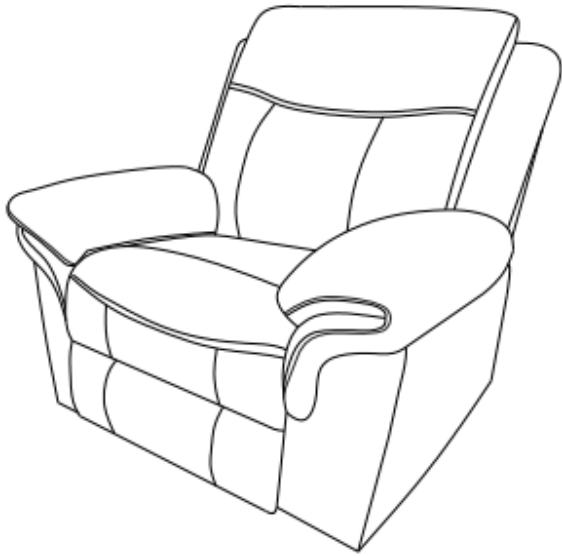
NO.	DRAWING	QTY	DESCRIPTION
A		1	SEAT
B		1	BACK REST

STEP# 1

Attach Back Rest (B) to the Seat(A) .



STEP#2 Completed



Care Instruction for AIREHYDE or Polished Microfiber Furniture.

In order to maintain the original appearance of your AIREHYDE(8206GRY-1 and 8206BRW-1) or Polished Microfiber(8206NF-1) furniture, please follow below simple care procedures:

- Avoid exposing furniture directly to sunlight or heating and air conditioning outlets. Sunlight and/or exposure to heating and air conditioning outlets will fade/damage AIREHYDE or Polished Microfiber.
- Do not place your AIREHYDE or Polished Microfiber furniture too close to windows, radiators, or vents.
- Vacuum or wipe with a soft brush to remove dust.



For items use on wooden floor, hard surfaces or carpets, it is recommended to install protective pads under all legs and supports to avoid/prevent from damages/scratches and discoloration.