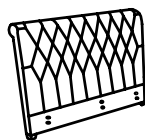




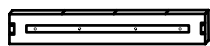
ASSEMBLY INSTRUCTION

HOMEELEGANCE 5789KBK-1CK CALIFORNIA KING HEADBOARD/FOOTBOARD
5789KBK-3CK CALIFORNIA KING RAILS & SLATS

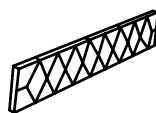
PART LIST: (NOTE:HARDWARE PACK INSIDE THE CARTON OF 5789KBK-3CK)



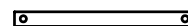
A:Headboard
1PC



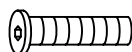
B:Rail
2PCS



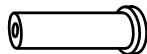
C:Footboard
1PC



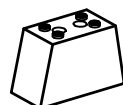
D:Slat
3PCS



E:Bolt M8*30mm
12PCS



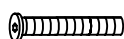
F:Support Leg
3PCS



G:Leg
4PCS



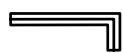
H:Middle Support Rail
1PC



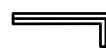
I:Bolt 1/4*48mm
6PCS



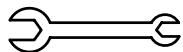
J:Nut 1/4
6PCS



K:Allen Key 5mm
1PC



L:Allen Key 4mm
1PC



M:Wrench 1/4*35mm
1PC



N:Screw \varnothing 4.0*60mm
8PCS



O:Lock Washer
8PCS



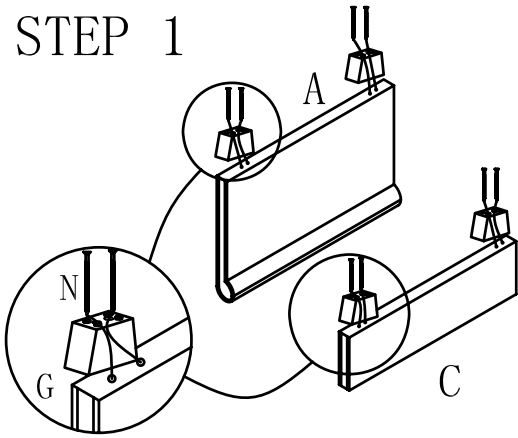
P:Flat Washer
8PCS



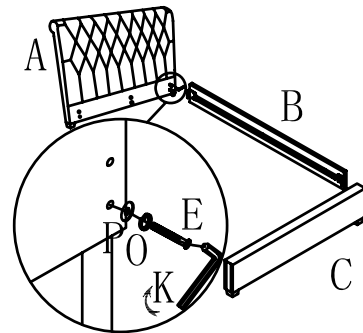
Q:Bolt 1/4*15mm
3PCS

NOTE: PLEASE DO NOT TIGHTEN ALL BOLTS UNTIL THE BED IS ASSEMBLED COMPLETELY.

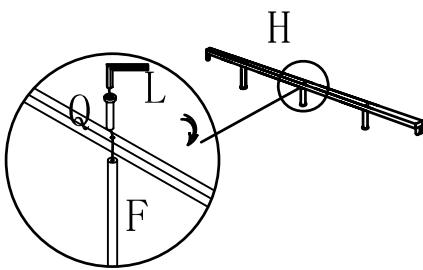
STEP 1



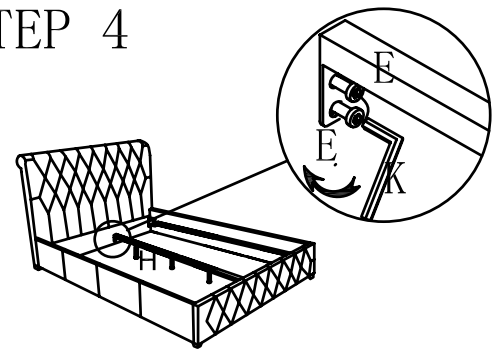
STEP 2



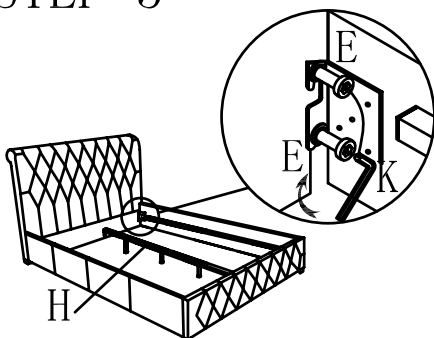
STEP 3



STEP 4



STEP 5



STEP 6

