



# ASSEMBLY INSTRUCTION

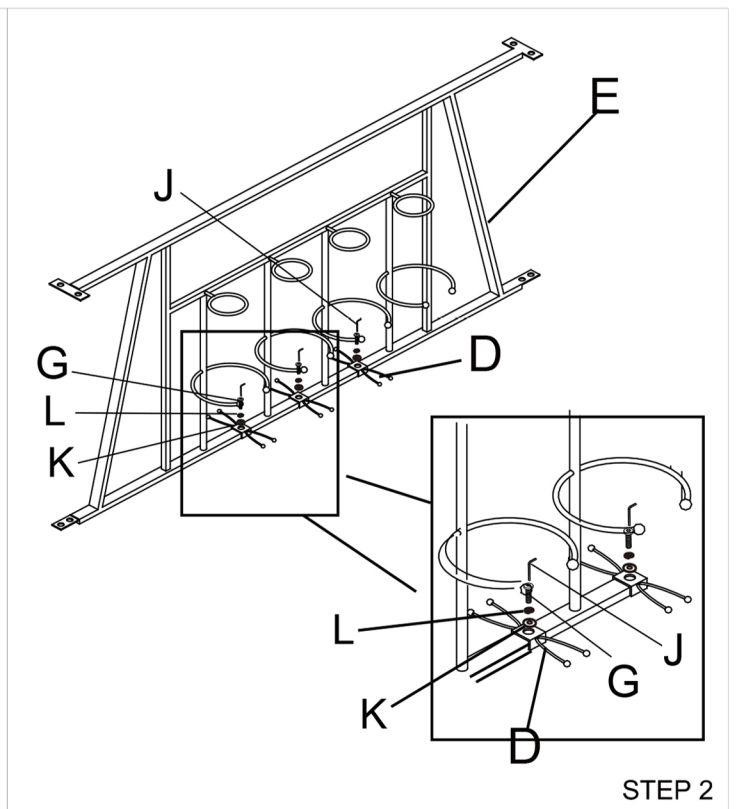
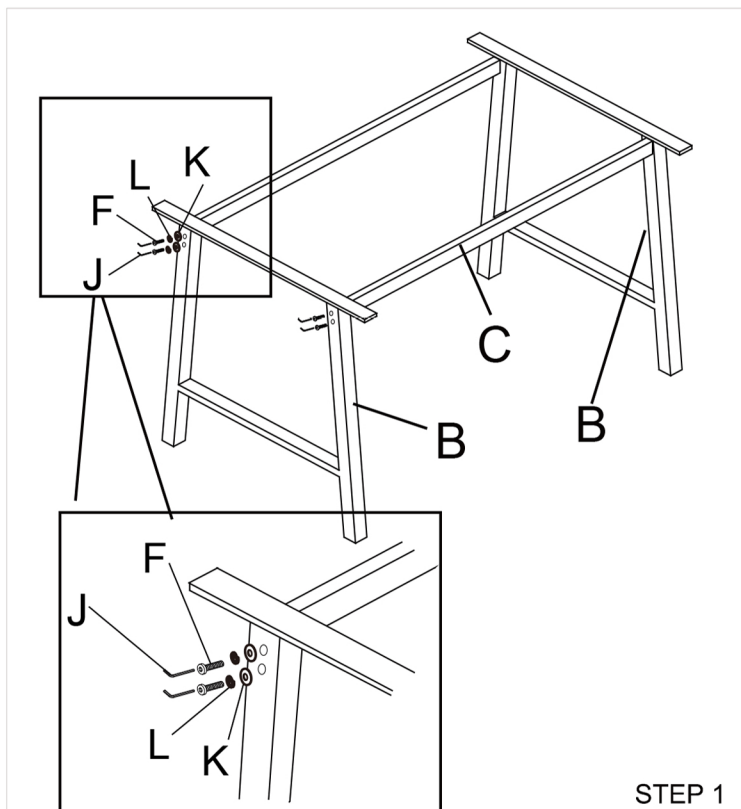
ITEM# :5566-36&5566-36G

DESCRIPTION: COUNTER HEIGHT TABLE

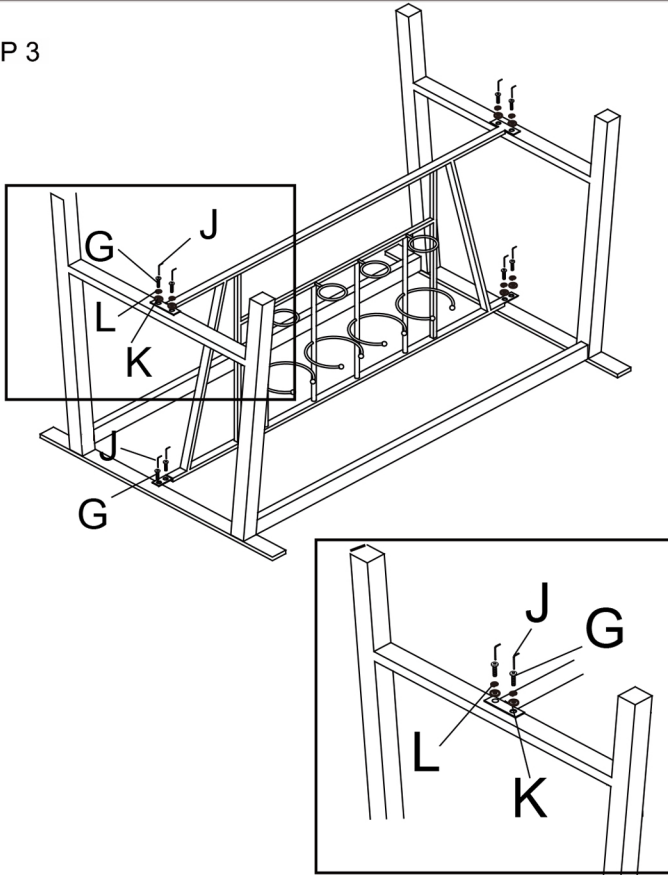
5566-36 COUNTER HEIGHT TABLE TOP&BASE

5566-36G GLASS INSET FOR TABLE TOP

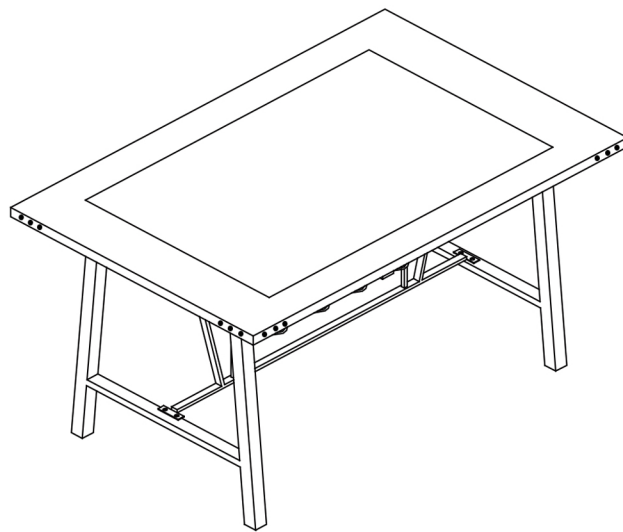
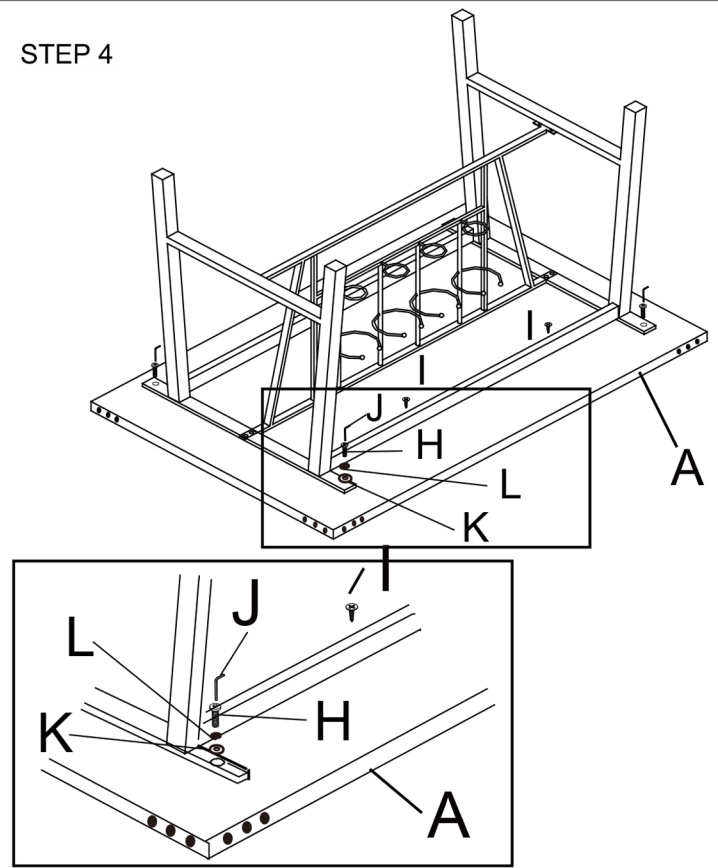
NO.	PARTS LIST		QTY	NO.	HARDWARE LIST HARDWARE PACK IN 5566-36		QTY
A		TABLE TOP (GLASS AND FRAME)	1	F		ALLEN BOLT 1/4*50MM	8
B		LEG FRAME	2	G		ALLEN BOLT 1/4*15MM	11
C		CROSS BAR	2	H		ALLEN BOLT 1/4*30MM	4
D		WINE GLASS RACK	3	I		SCREW 4*15MM	4
E		WINE PACK	1	J		ALLEN KEY 4MM	1
				K		FLAT WASHER	23
				L		SPRING WASHER	23



STEP 3



STEP 4



For items use on wooden floor, hard surfaces or carpets, it is recommended to install protective pads under all legs and supports to avoid/prevent from damages/scratches and discoloration

Do not tighten bolts until completely assembled