



HOMELEGANCE

ASSEMBLY INSTRUCTION 5055-82 DINING TABLE

PART LIST :

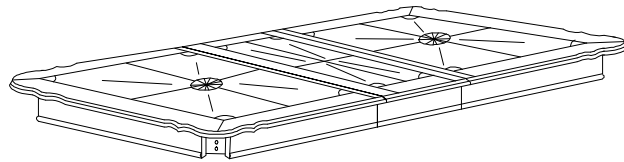


Table Top
1pc

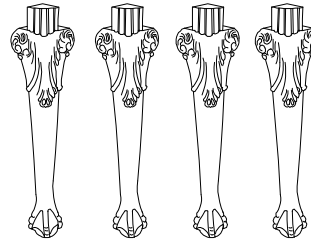
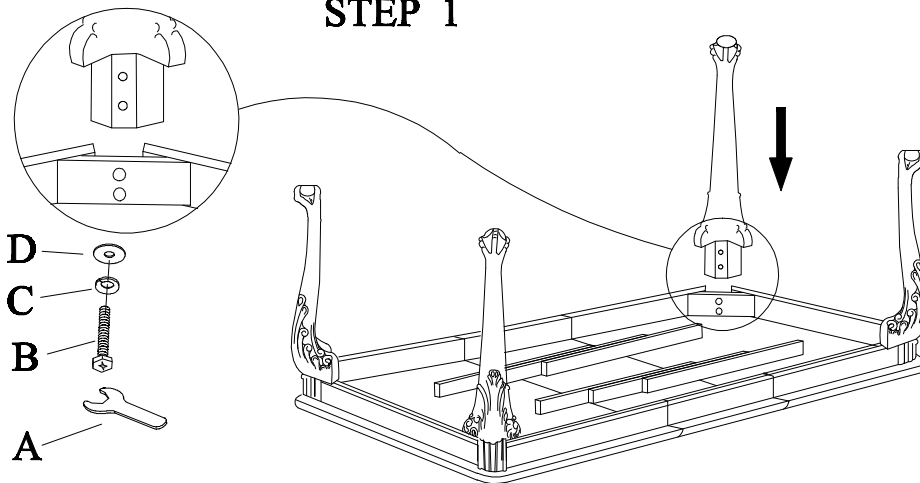


Table Leg
4pcs

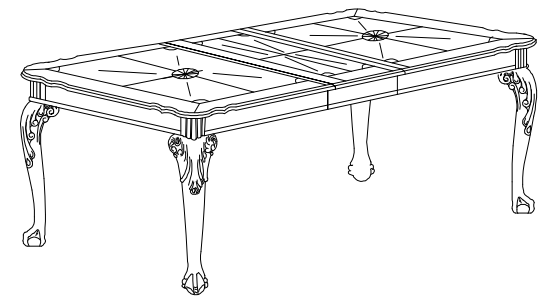
HARDWARE LIST

A		Wrench	5/16"	1PC
B		Bolt	5/16"*2-1/2"	8PCS
C		Spring Washer	5/16"	8PCS
D		Flot Washer	5/16"(Ø23)*1.5	8PCS

STEP 1



COMPLETED

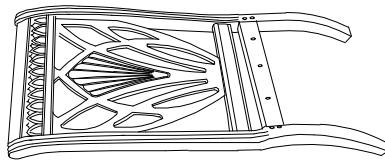


- (1) Place the table top on the smooth and stable carpeted or padded surface.
- (2) Align the table legs to the pre-drilled holes and tighten with nut and washer.

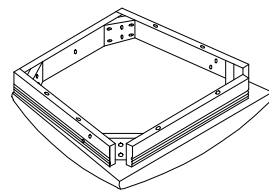


ASSEMBLY INSTRUCTION 5055A ARM CHAIR

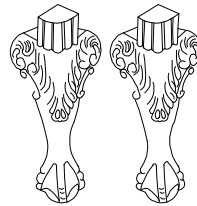
PART LIST :



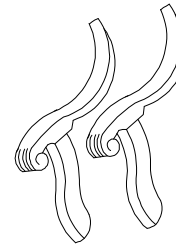
Chair Back
1pc



Seat Cushion
1pc



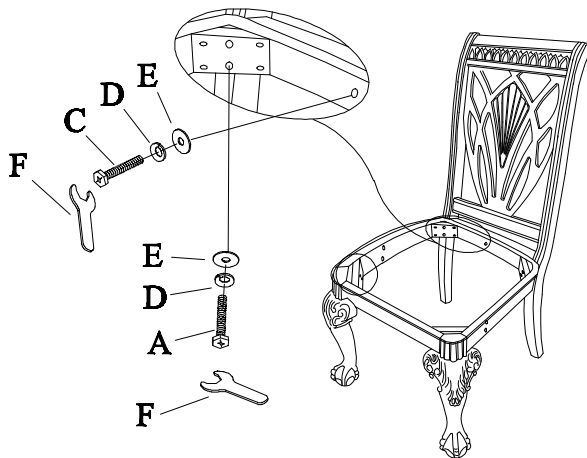
Front Leg
2pcs



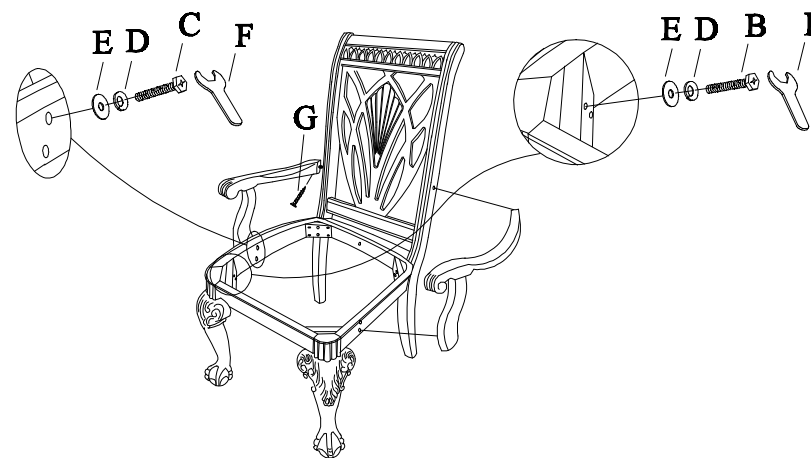
Arm
2pcs

HARDWARE LIST				
A		Bolt	5/16"*3"	4PCS
B		Bolt	5/16"*2-1/2"	4PCS
C		Bolt	5/16"*1-1/2"	5PCS
D		Spring Washer	5/16"	13PCS
E		Flat Washer	5/16"(Ø19)*1.5	13PCS
F		Wrench	12mm	1PC
G		Screw	Ø8mm*1-1/4"	2PCS

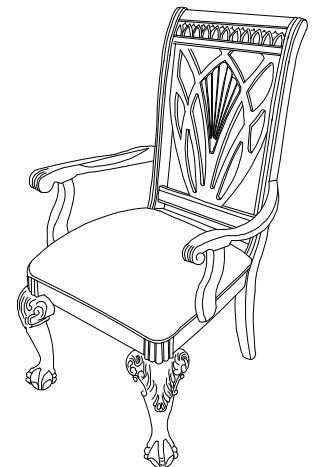
STEP 1



STEP 2



COMPLETED



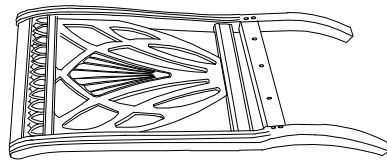
- (1) Align the seat to the chair back ,insert the bolt and washer to pre-drilled holes and tighten it .
- (2) Attach the leg and arm to seat ,insert the nut and washer and screw then tighten it .



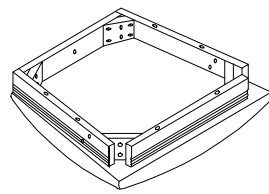
HOMEELEGANCE

ASSEMBLY INSTRUCTION 5055S SIDE CHAIR

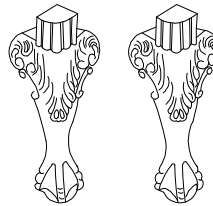
PART LIST :



Chair Back
1pc



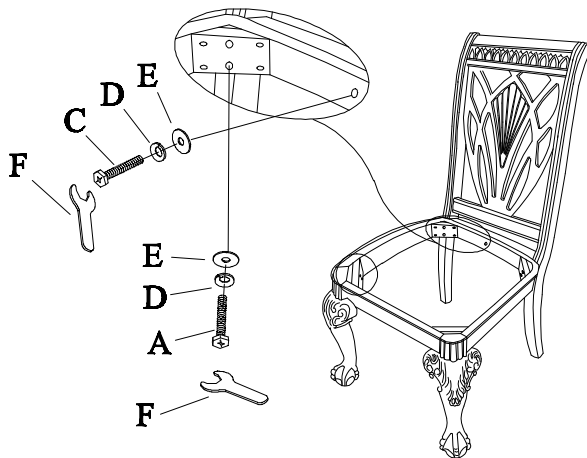
Seat Cushion
1pc



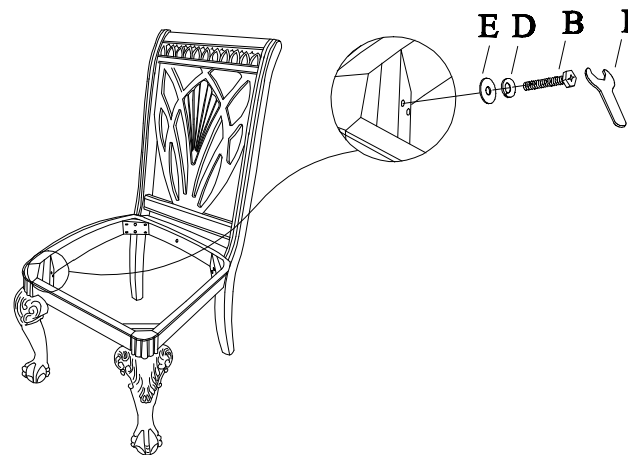
Front Leg
2pcs

HARDWARE LIST				
A		Bolt	5/16"*3"	4PCS
B		Bolt	5/16"*2-1/2"	4PCS
C		Bolt	5/16"*1-1/2"	1PC
D		Spring Washer	5/16"	9PCS
E		Flat Washer	5/16"(Ø19)*1.5	9PCS
F		Wrench	12mm	1PC

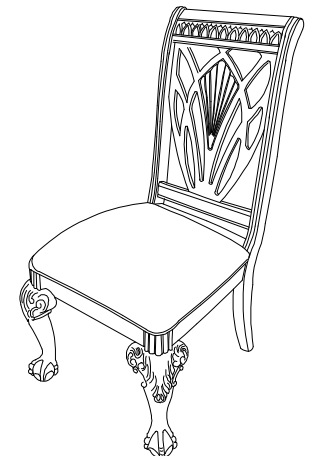
STEP 1



STEP 2



COMPLETED



- (1) Align the seat to the chair back , insert the bolt and washer to pre-drilled holes and tighten it .
- (2) Attach the leg to seat , insert the nut and washer then tighten it .