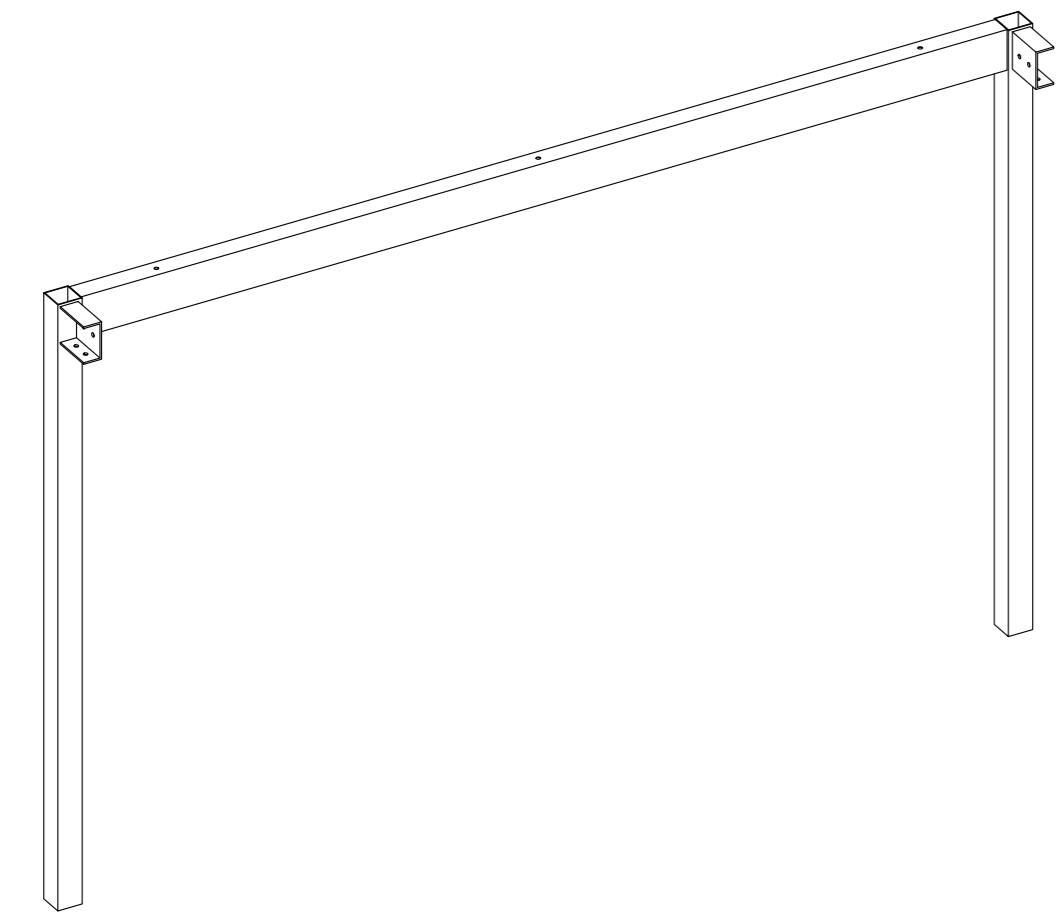




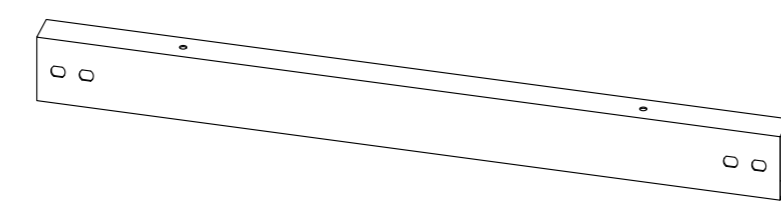
ASSEMBLY INSTRUCTION

2601-15 WRITING DESK & CHAIR

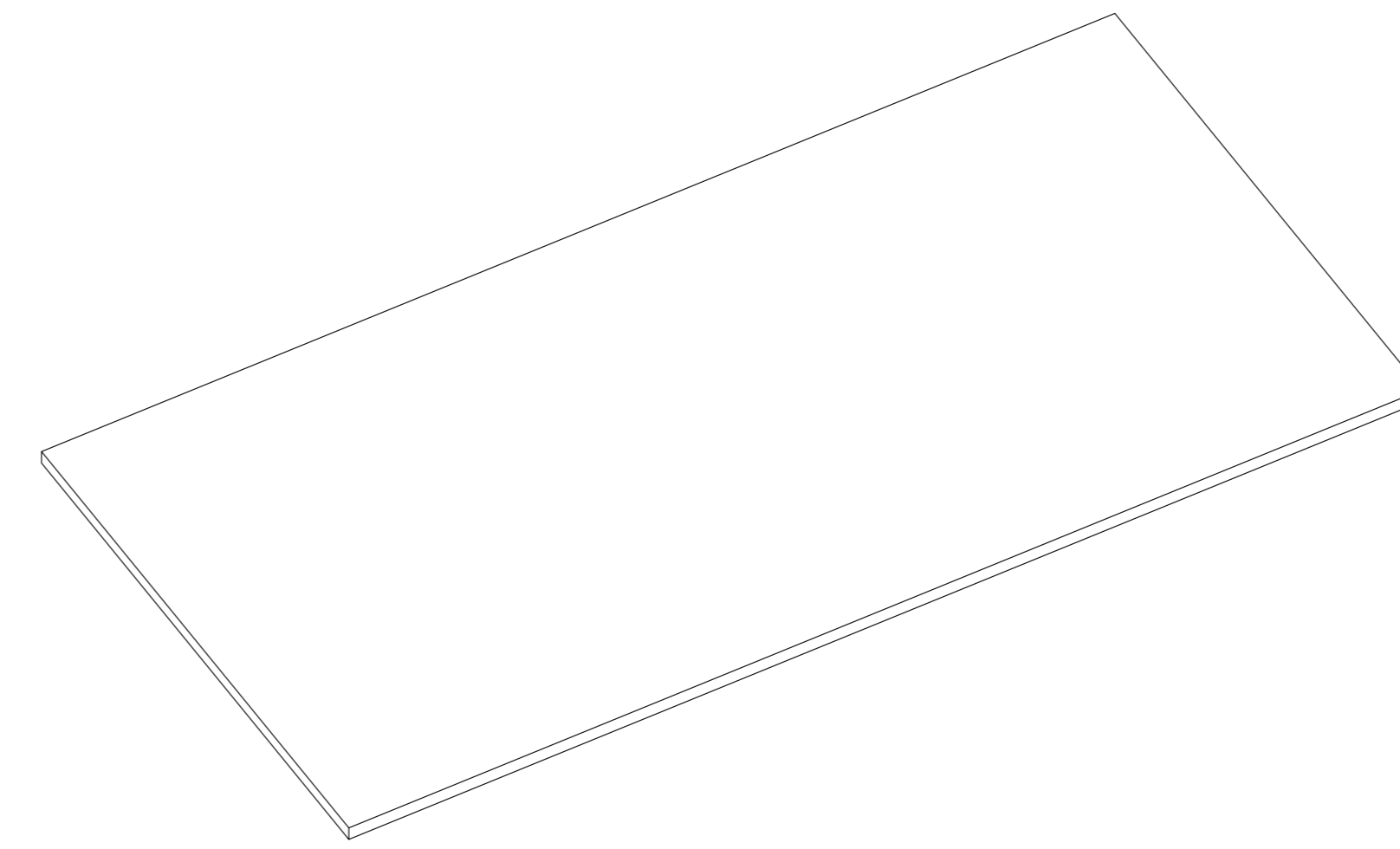
PART LIST:



A: Desk Leg Frame
2PCS



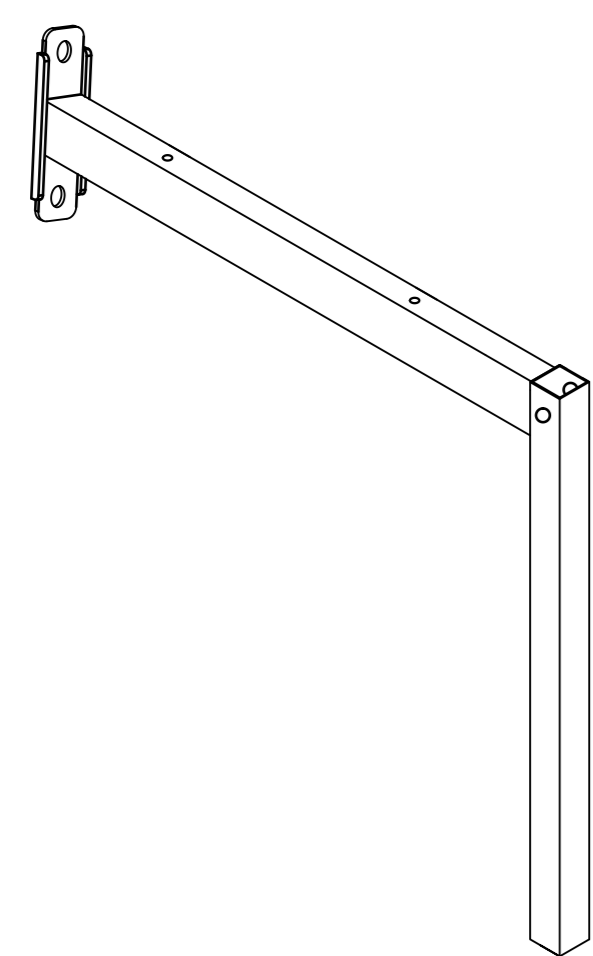
B: Desk Cross Bar
2PCS



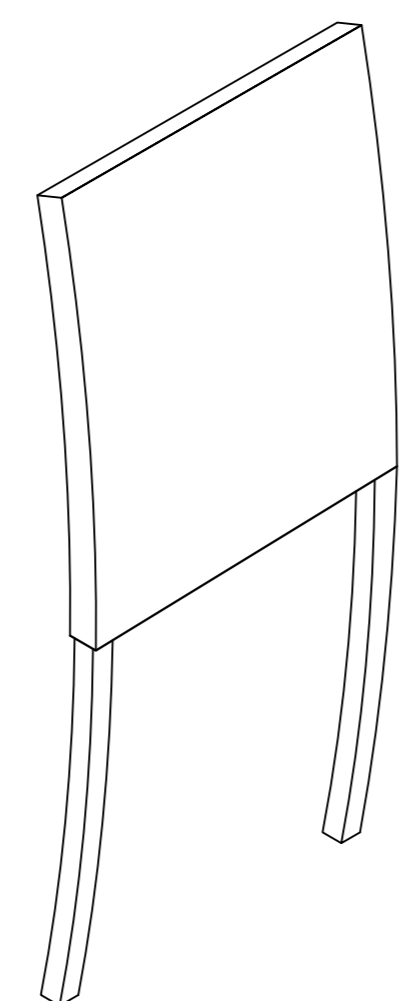
C: Desk Top
1PC

HARDWARE LIST

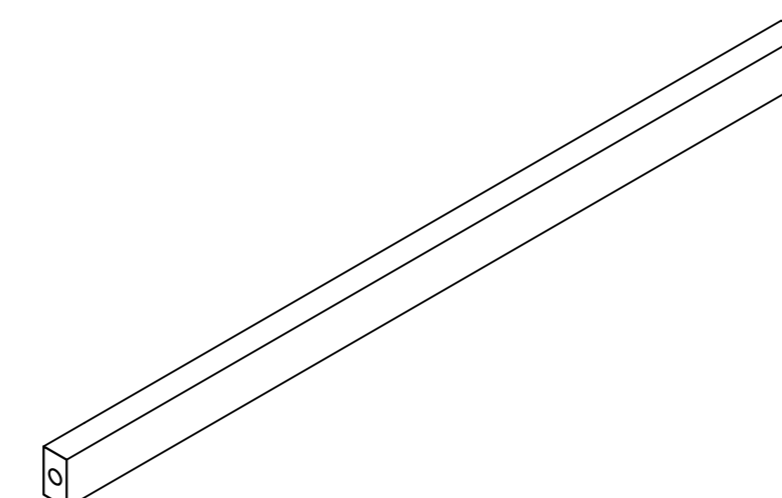
H		Bolt	1/4"*16mm	16pcs
I		Bolt	1/4"*19mm	4pcs
J		Screw	M5*63mm	10pcs
K		Bolt	1/4"*43mm	2pcs
L		Screw	M5*58mm	4pcs
M		Allen Key	4mm	1pc



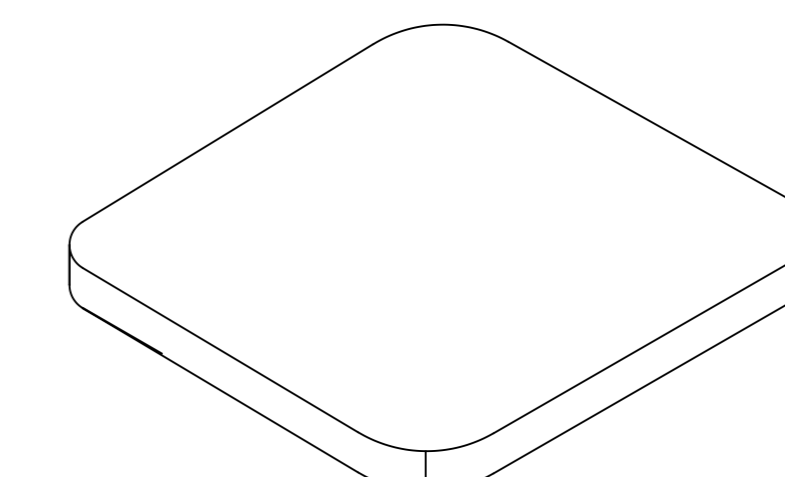
D: Chair Leg Frame
2PCS



E: Chair Back
1PC



F: Chair Stretcher
1PC



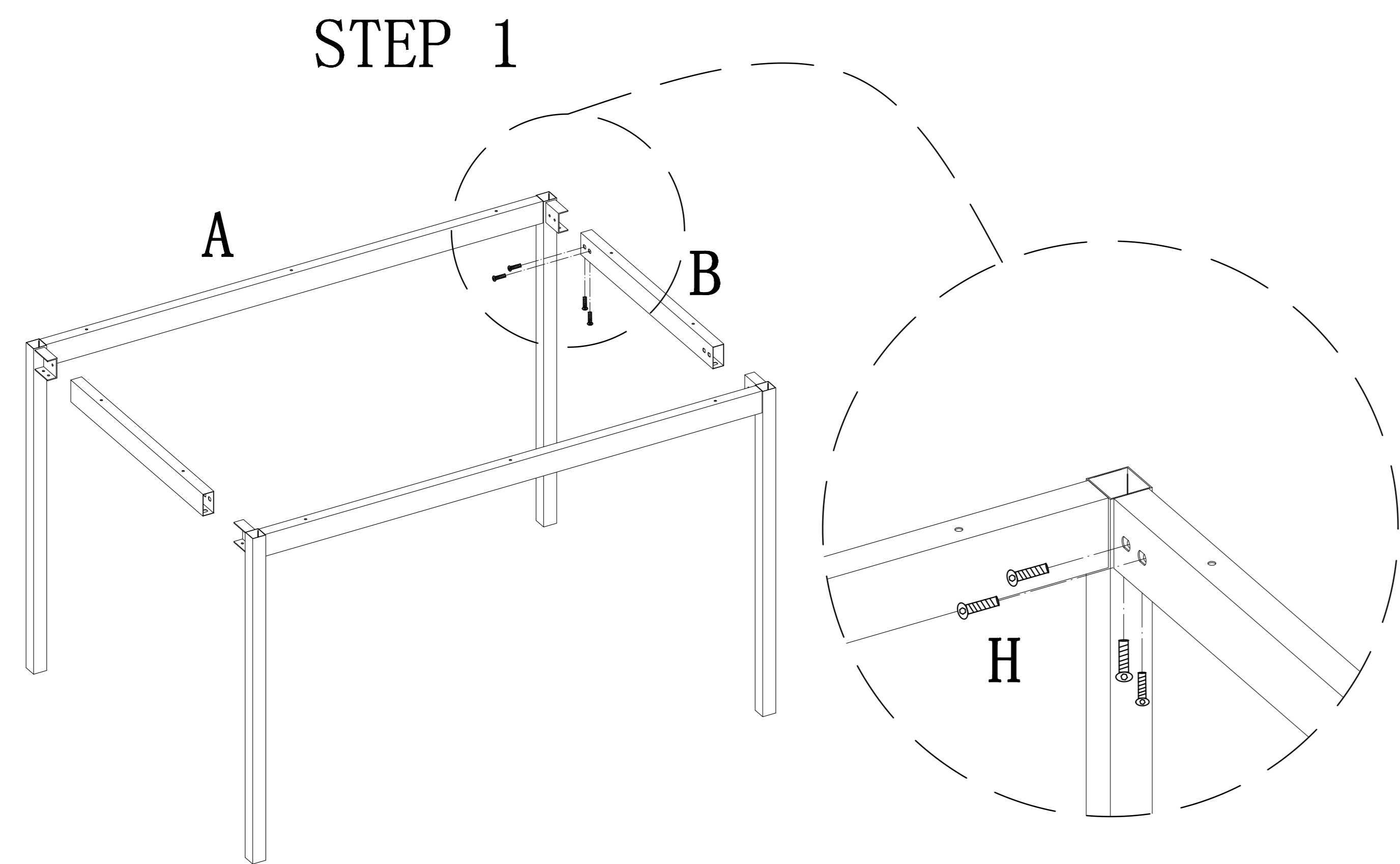
G: Chair Seat Cushion
1PC



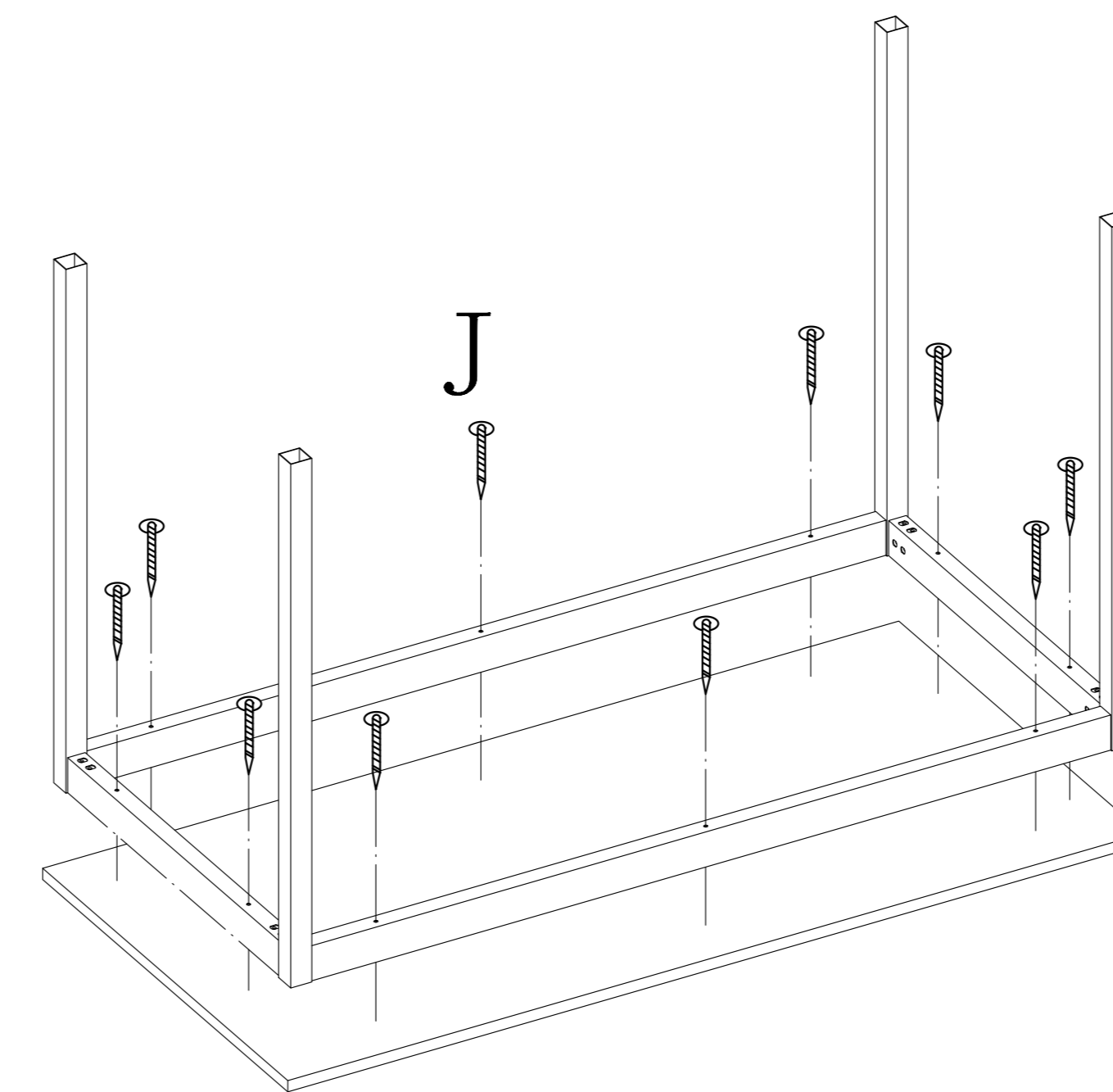
ASSEMBLY INSTRUCTION

2601-15 WRITING DESK & CHAIR

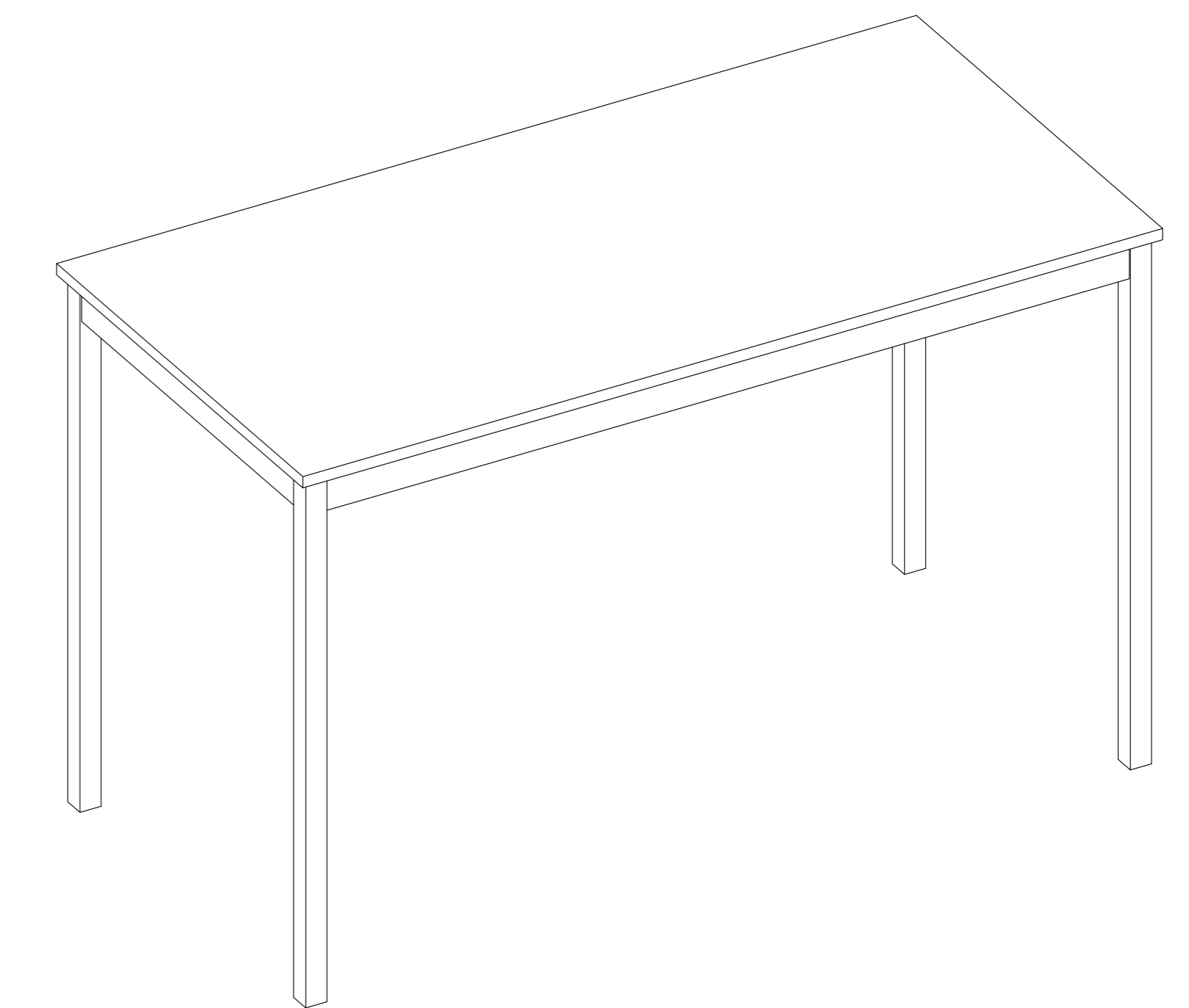
WRITING DESK:



STEP 2

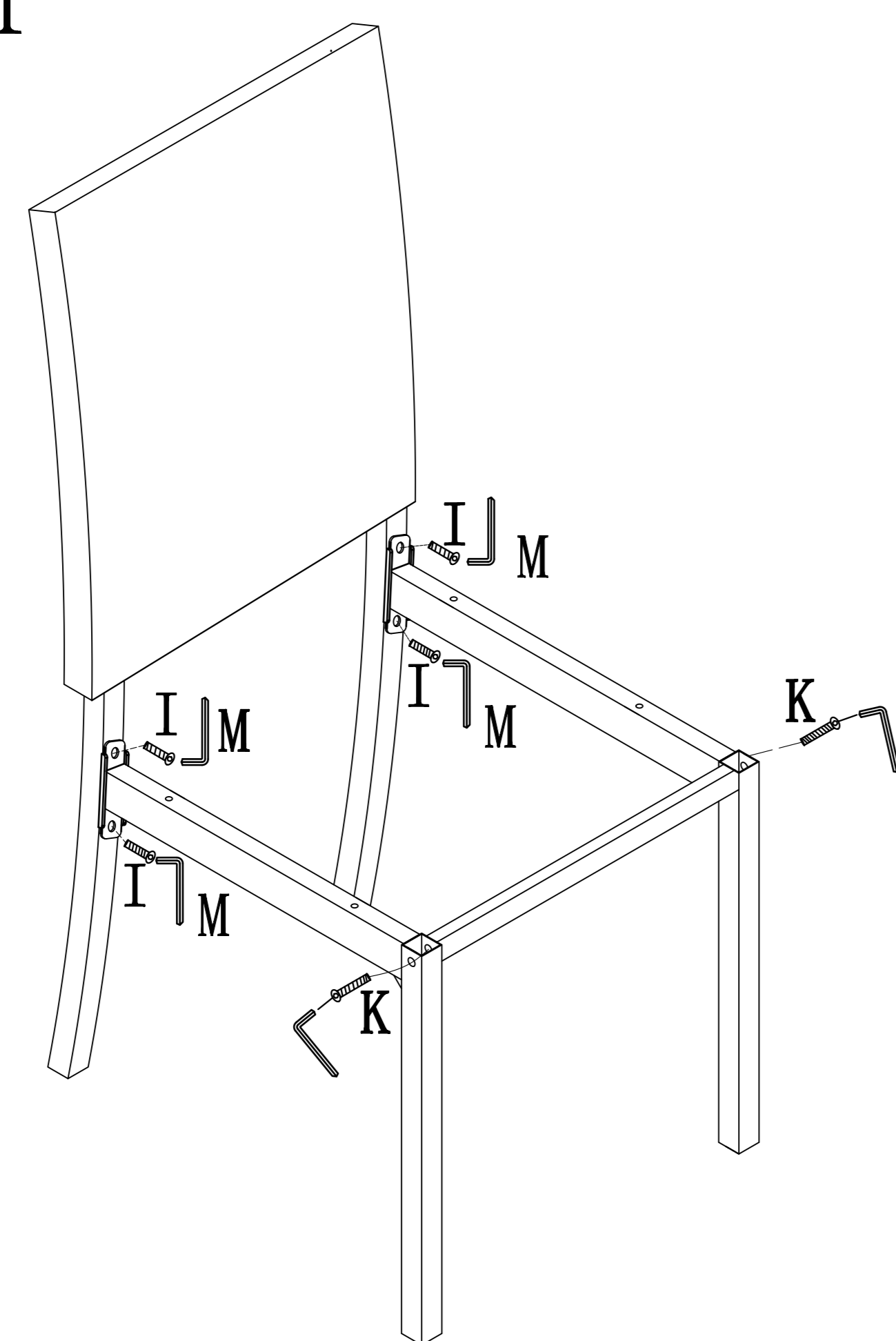


COMPLETED

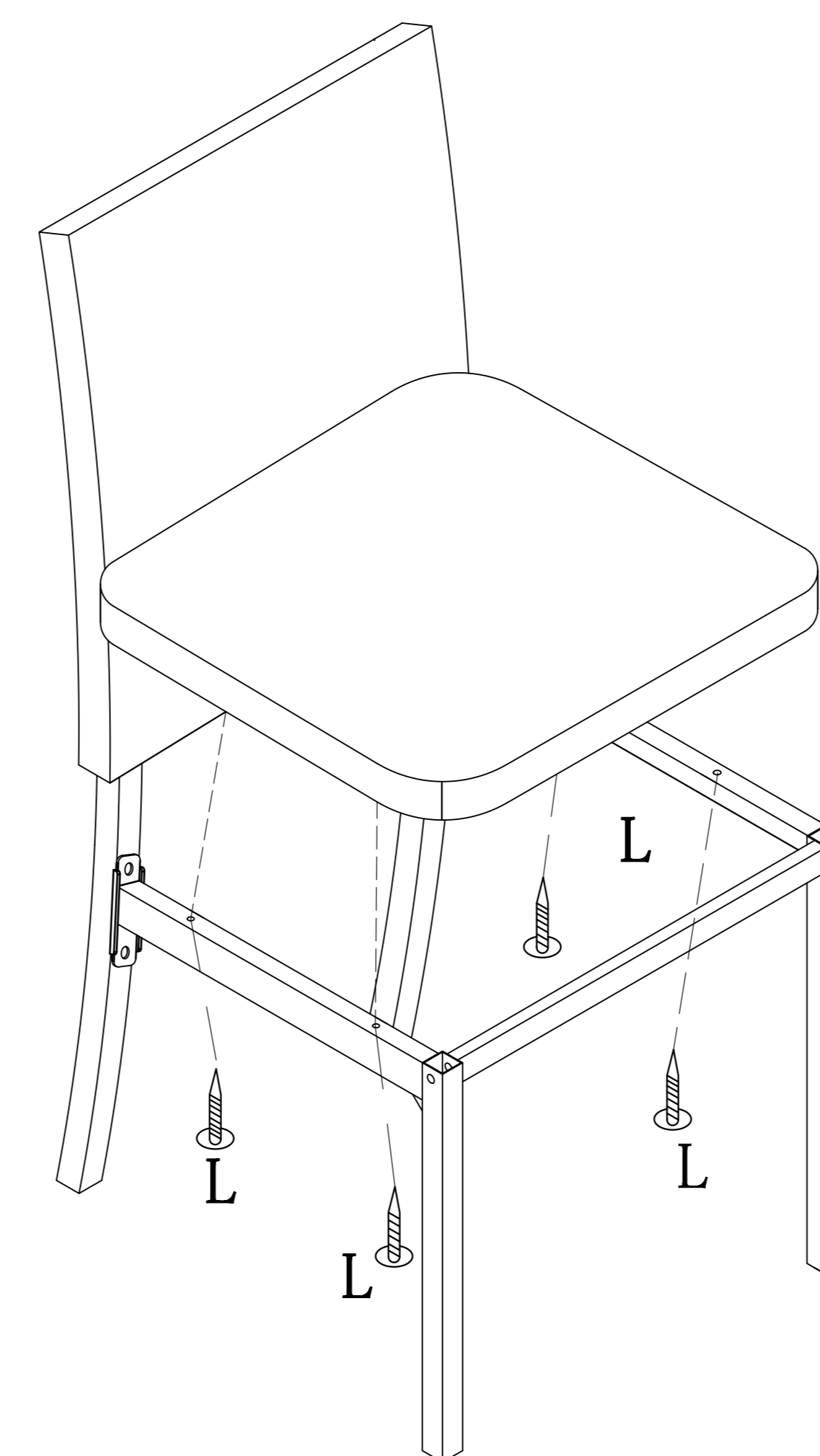


CHAIR:

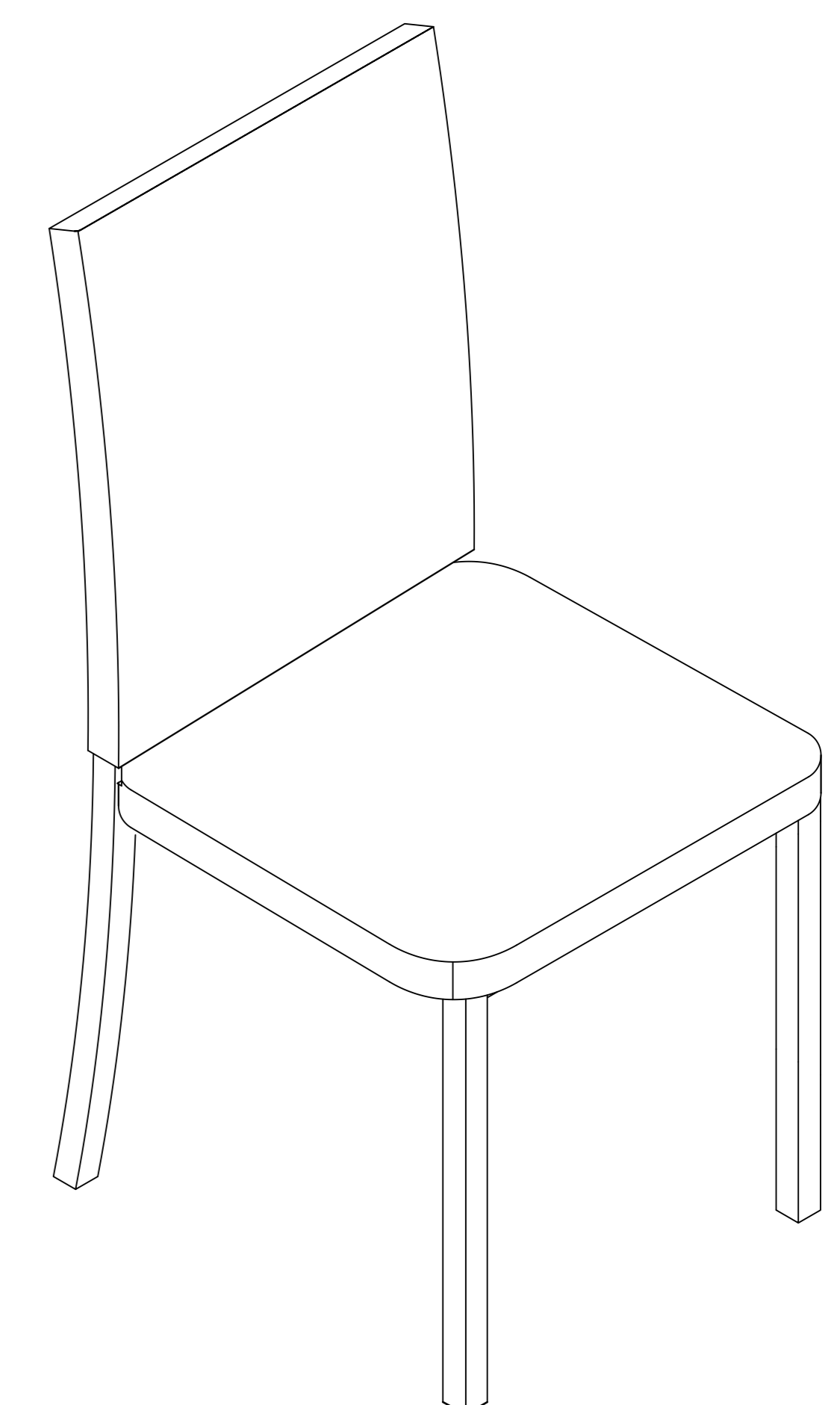
STEP 1




STEP 2



COMPLETED



 For items use on wooden floor, hard surfaces or carpets, it is recommended to Install protective pads under all legs and supports to avoid/prevent from damages/scratches and discoloration.