



ASSEMBLY INSTRUCTION

1602BKT-1: METAL TWIN BED WITH BLACK PVC HEADBOARD

HOMELEGANCE

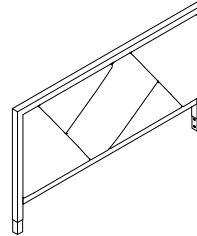
PART LIST:



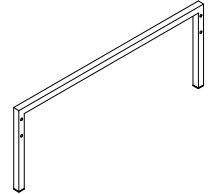
A:LSF HB LEG FOR ALL SIZE BED
1PC



B:RSF HB LEG FOR ALL SIZE BED
1PC



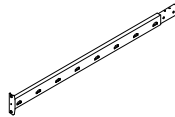
C:HEADBOARD
1PC



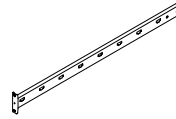
D:FOOTBOARD
1PC



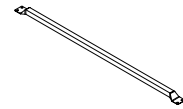
E:SLAT CONNECTOR FOR ALL SIZE BED
32PCS



F:SIDE RAIL
2PCS



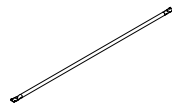
G:SIDE RAIL
2PCS



H:CENTER CROSS BAR
1PC



I:CENTER SLAT SUPPORT LEG
2PC

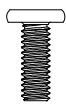


J:SLAT
16PCS

HARDWARE SET:



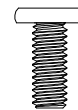
1: Bolt 1/4*10mm
X 8pcs



2: Bolt 1/4*17.5mm
X 4pcs



3: Bolt 1/4*22mm
X 4pcs



4: Bolt 5/16*19mm
X 8pcs



5: Bolt 1/4*40mm
X 4pcs



6: Nut 1/4
X 4psc



7: Washer 1/4
X 4psc



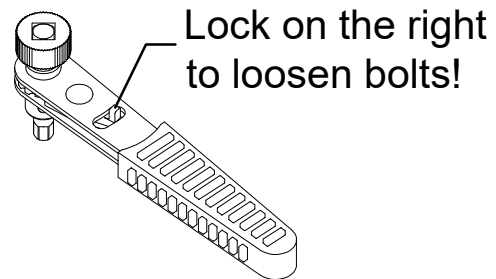
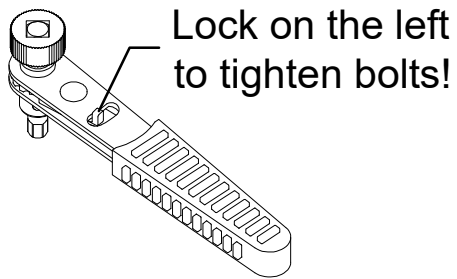
8: Ratchet Tool
X 1pc



9: Wrench
X 1PC

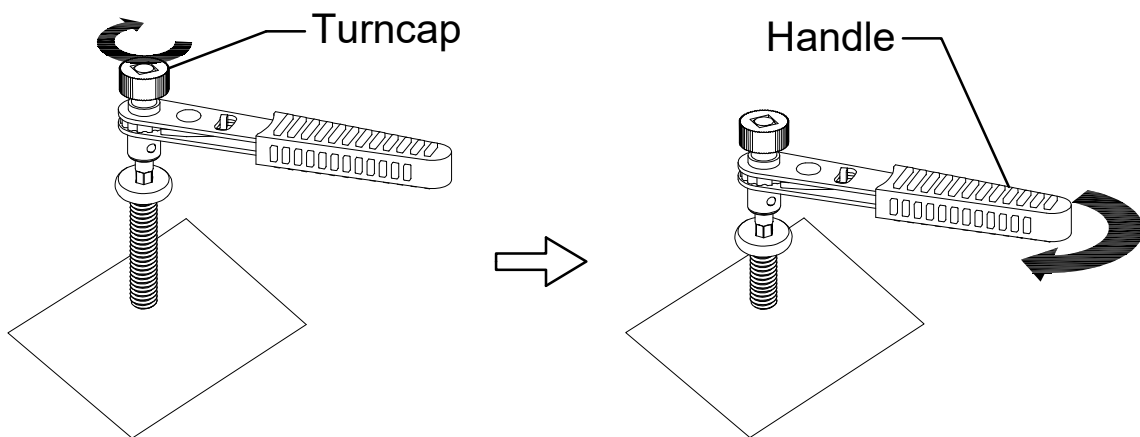
How to Use the Ratchet Tool (8)

1. Before assembling the furniture, please adjust the lock as needed.

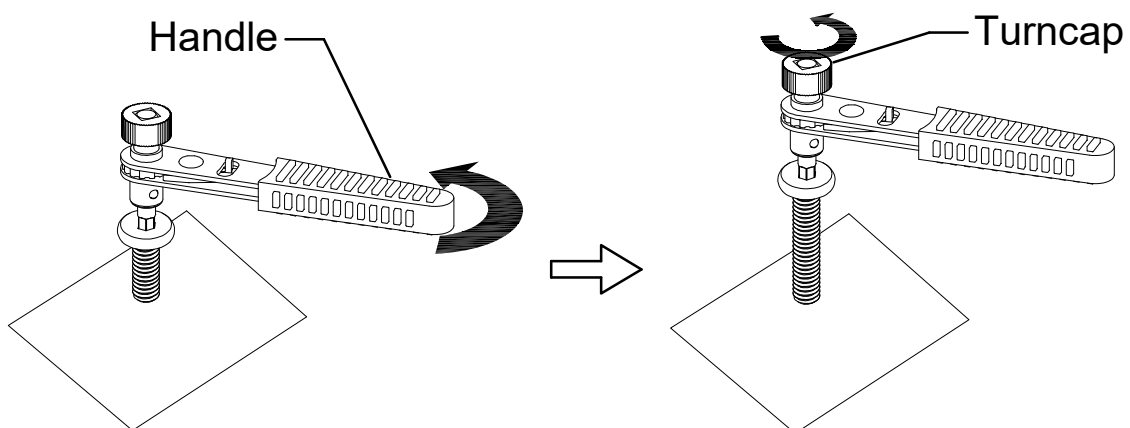


2. Tighten or loosen bolts.

- **Tighten bolts:** Locate the turncap and rotate it clockwise to screw the bolt quickly until it cannot be rotated any more. Then start rotating the handle clockwise to finalize tightening the bolt.

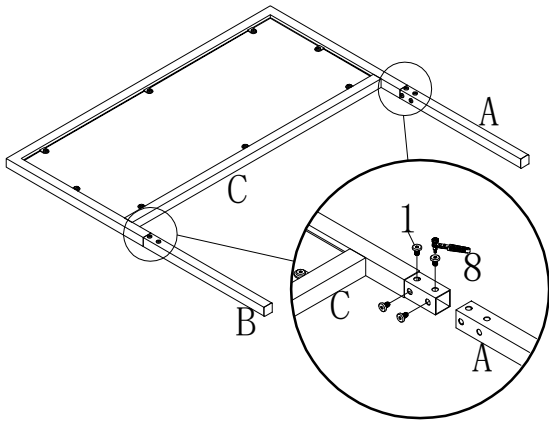


- **Loosen bolts:** Rotate the handle counterclockwise to loosen the bolt. Then continue rotating the turncap in the same direction to remove the bolt completely.



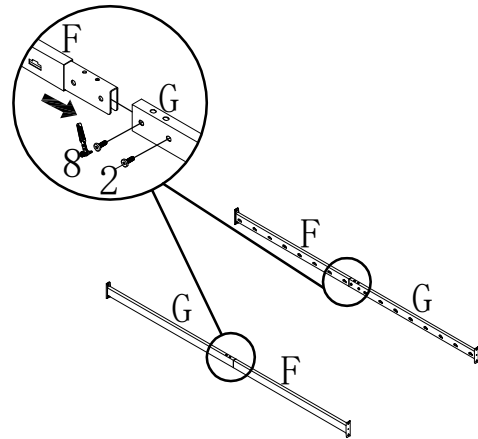
Note: Please do not tighten all bolts until the bed is assembled completely.

STEP 1



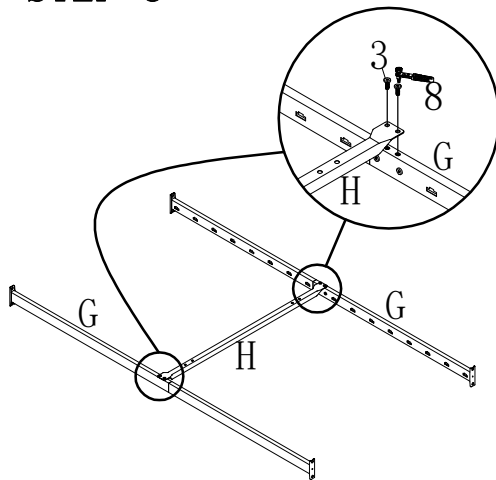
Hardware 1: 8 pcs

STEP 2



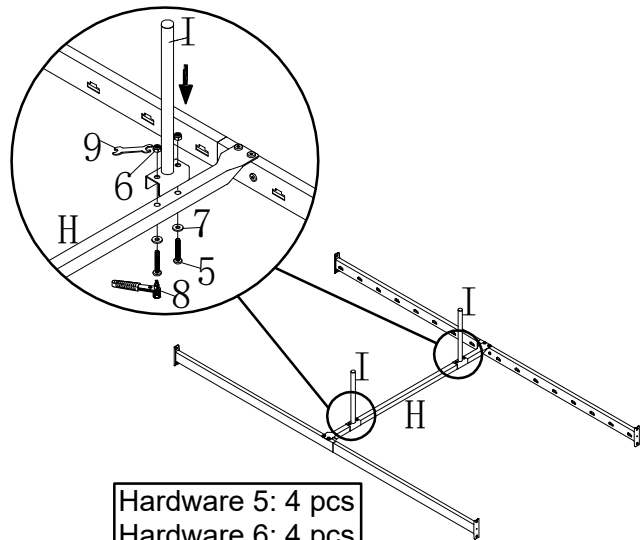
Hardware 2: 4 pcs

STEP 3



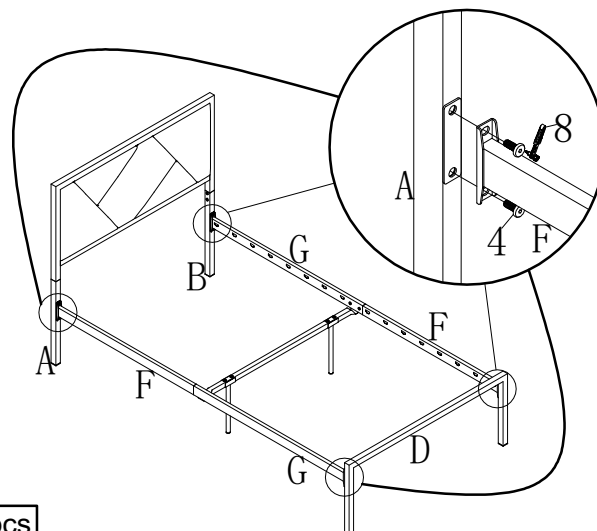
Hardware 3: 4 pcs

STEP 4



Hardware 5: 4 pcs
Hardware 6: 4 pcs
Hardware 7: 4 pcs

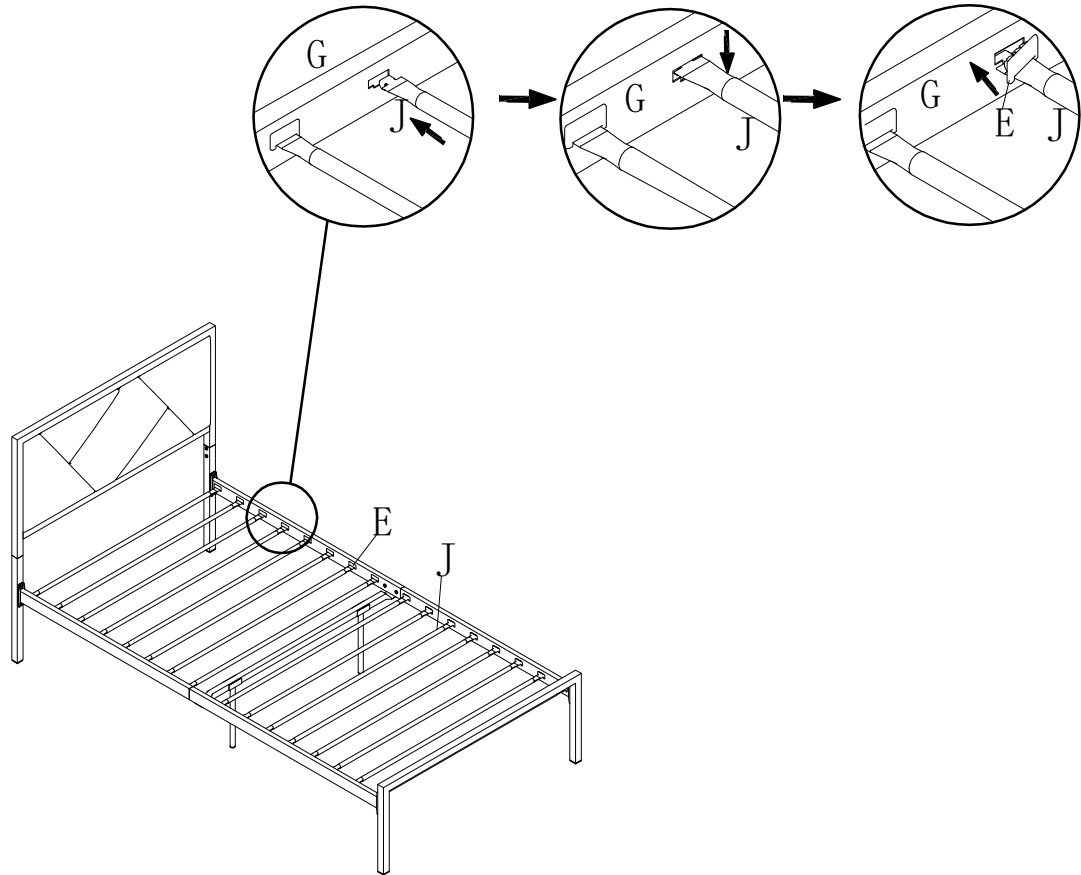
STEP 5



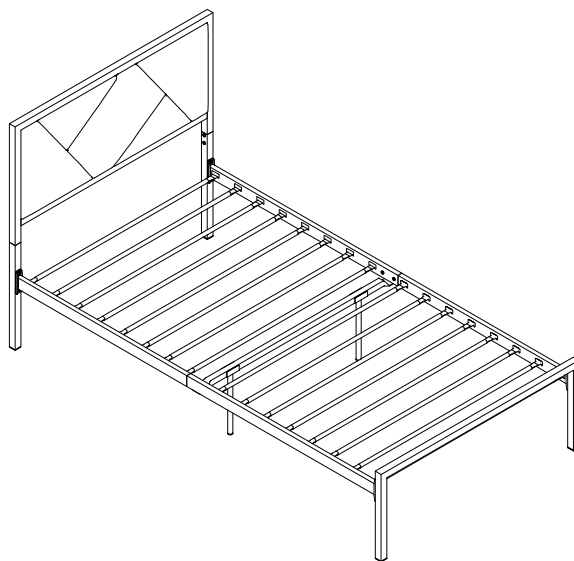
Hardware 4: 8 pcs

Note: Please do not tighten all bolts until the bed is assembled completely.

STEP 6



COMPLETED



For items use on wooden floor, hard surfaces or carpets, it is recommended to install protective pads under all legs and supports to avoid/prevent from damages/scratches and discoloration.