

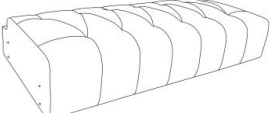


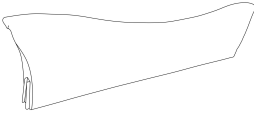

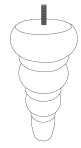

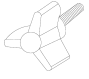


## Assembly Instruction

ITEM NO.:1045BR-3  
SETTEE

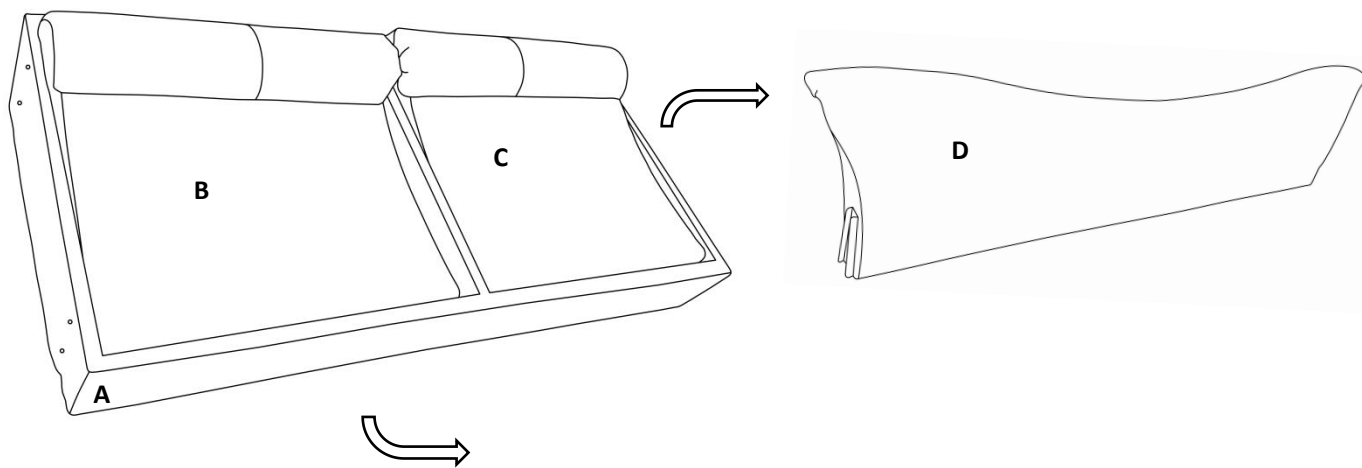


Note: Do not use power tools for assembly. Power tools increase the risk of over tightening which lead to splitting or cracking the wood.

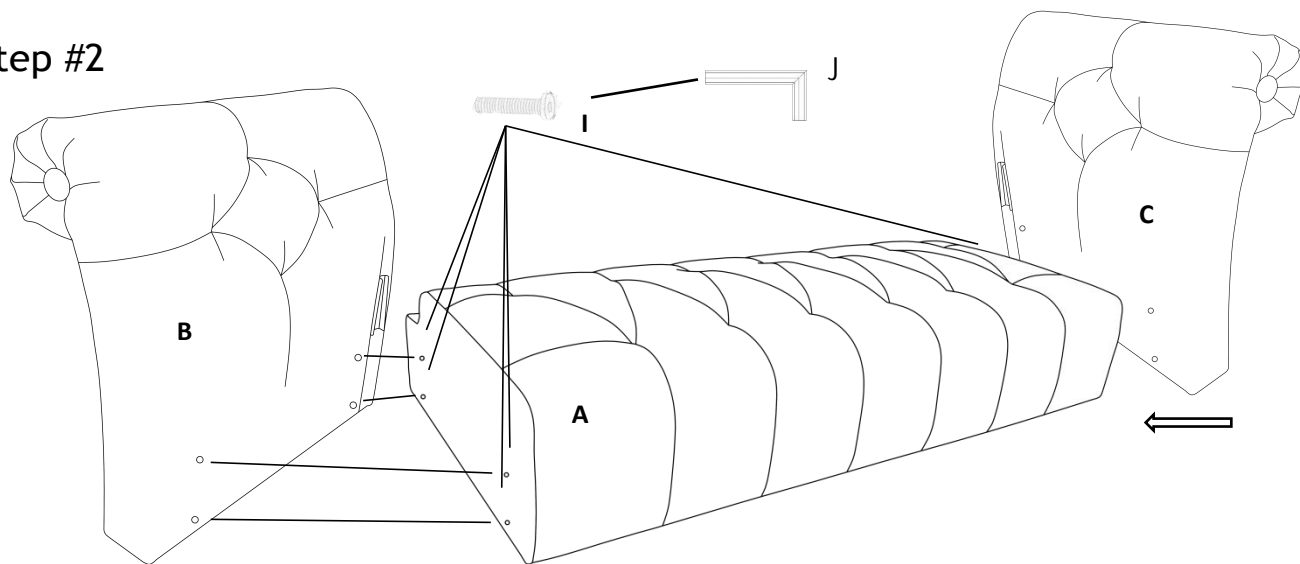
### Component list

| NO | Drawing   | Qty | Description                  |
|----|---|-----|------------------------------|
| A  |   | 1   | SEAT                         |
| B  |  | 1   | LSF ARM                      |
| C  |  | 1   | RSF ARM                      |
| D  |  | 1   | BACK REST                    |
| E  |  | 2   | PILLOW                       |
| F  |  | 4   | WOODEN LEG<br>(H=7.75")      |
| G  |  | 4   | FLAT WASHER<br>$\Phi=1.77''$ |
| H  |  | 2   | BOLT ARBOR                   |
| I  |  | 8   | BOLT<br>(M8*60)              |
| J  |  | 1   | ALLEN WRENCH                 |

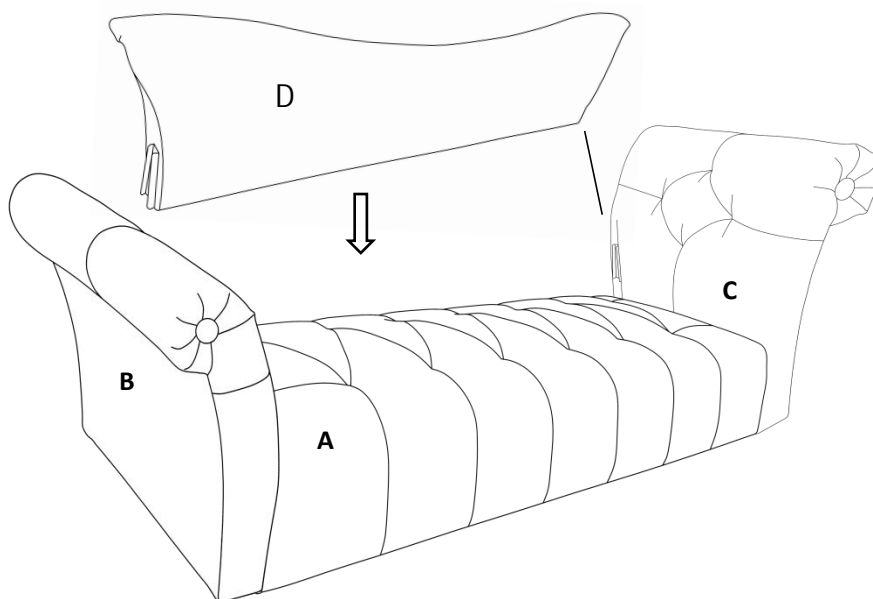
### Step #1



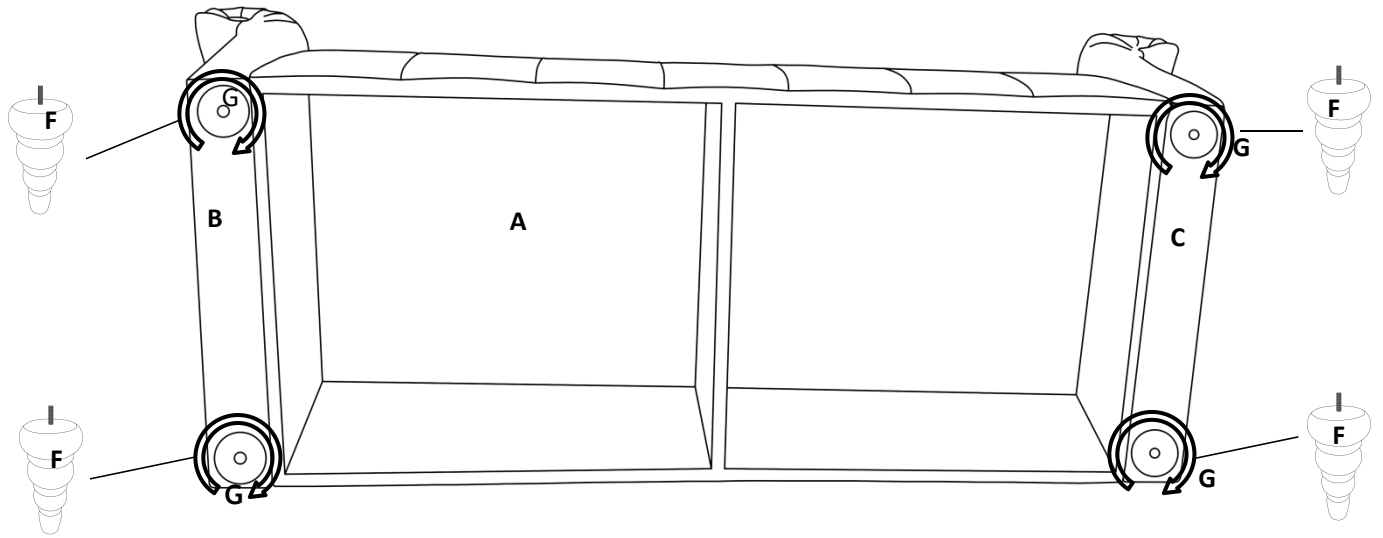
### Step #2



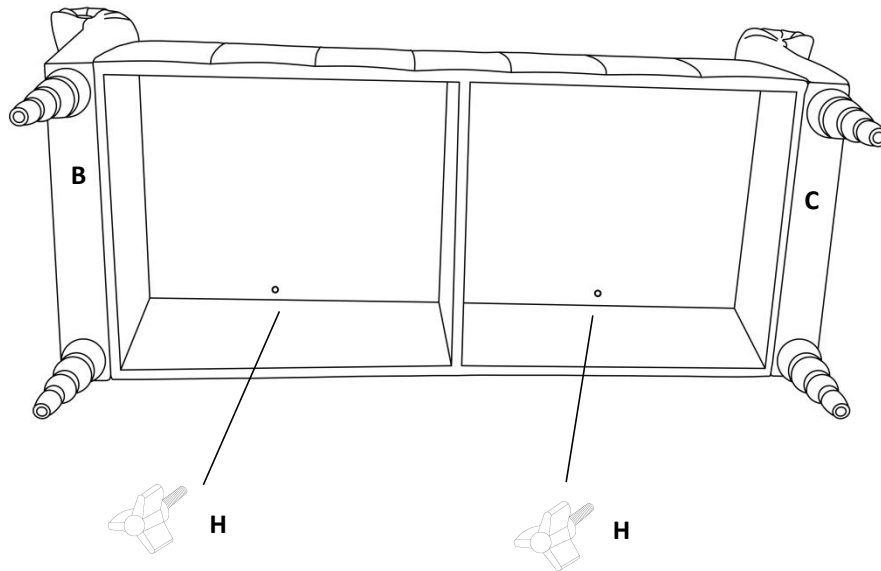
### Step #3



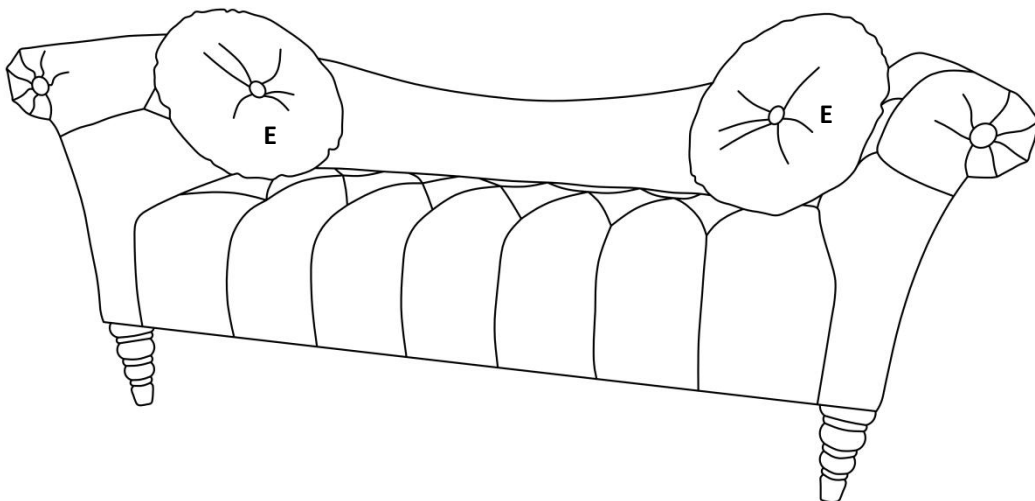
### Step #4



### Step #5



### Step #6



## Care Instruction for Linen-Like Furniture:

In order to maintain the original appearance of your Linen-Like Furniture, please follow below simple care procedures:

- Avoid exposing furniture directly to sunlight or heating and air conditioning outlets. Sunlight and or exposure to heating and air conditioning outlets will fade/damage Linen-Like.
- Vacuum or wipe with a soft cloth to remove dust.



For items use on wooden floor, hard surfaces or carpets, it is recommended to Install protective pads under all legs and supports to avoid/prevent from damages/scratches and discoloration.