





ASSEMBLY INSTRUCTION

ITEM NO: 9570BEG/9570RED/9570GRY/9570BLK-1SW

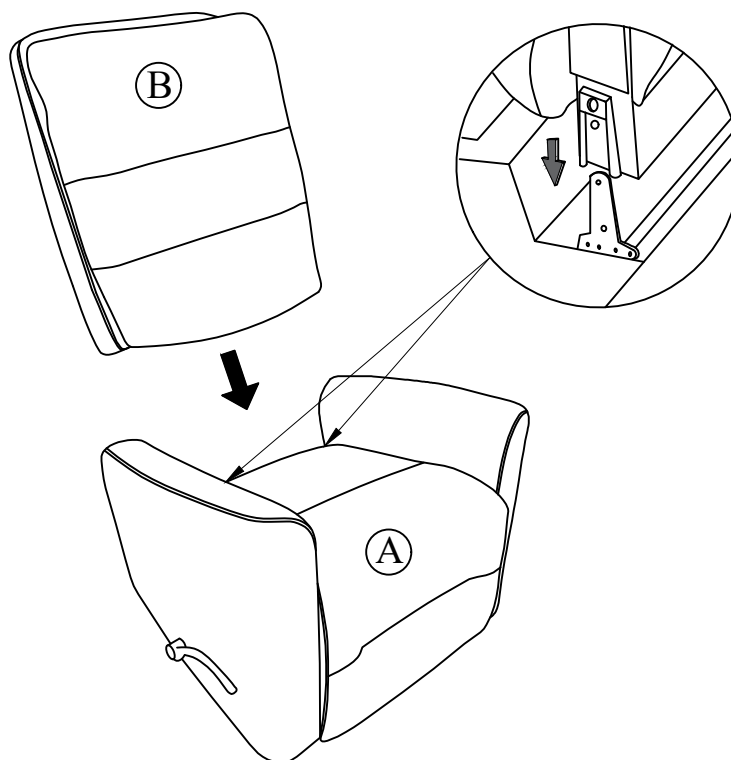
SWIVEL GLIDER RECLINING CHAIR



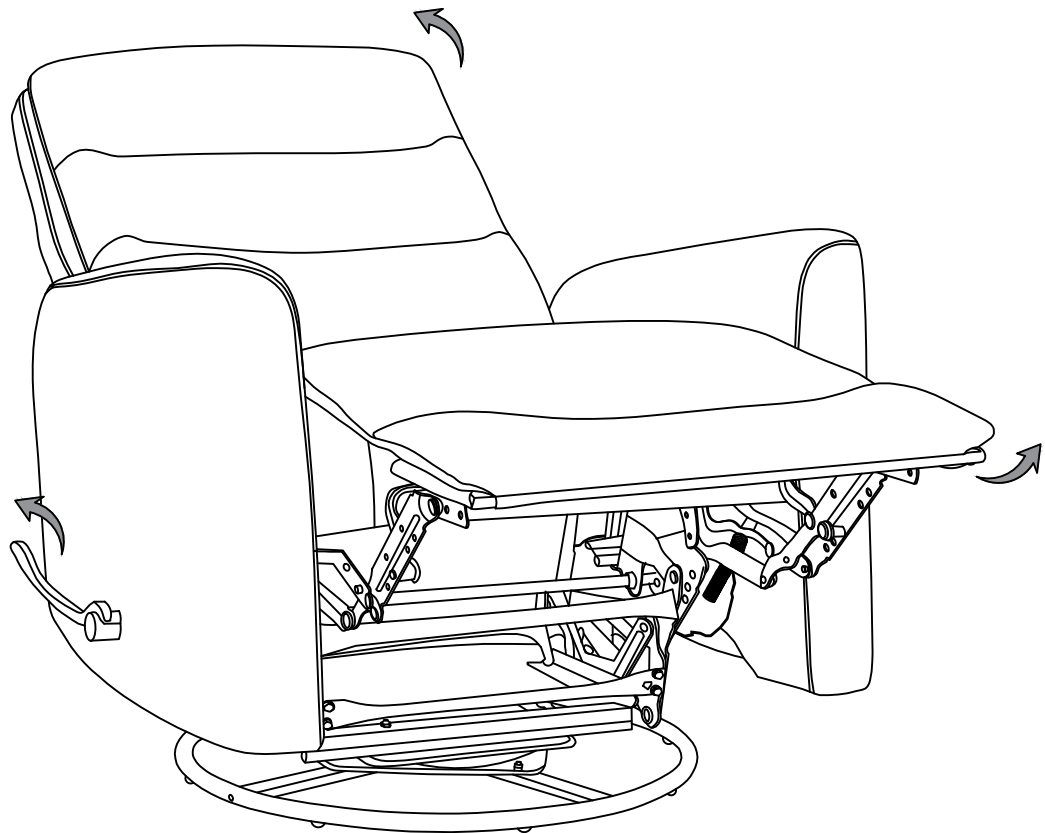
NOTE: Do not use power tools for assembly. The use of power tools increases the risk of over-tightening, which can result in wood splitting or cracking.

NO.	DRAWING	QTY	DESCRIPTION
A		1	CHAIR BASE
B		1	BACKREST

STEP 1



COMPLETED



Care Instruction for Leather air Furniture.

In order to maintain the original appearance of your Leather air furniture, please follow below simple care procedures:

- Avoid exposing furniture directly to sunlight or heating and air conditioning outlets. Sunlight and/or exposure to heating and air conditioning outlets will fade/damage Leather air.
- Do not place your Leather air furniture too close to windows, radiators, or vents.
- Vacuum or wipe with a soft brush to remove dust.
- Hardware may loosen over time. Periodically check to make sure all connection are tight, Re-tighten if necessary.



For items use on wooden floor, hard surfaces or carpets, it is recommended to install protective pads under all legs and supports to avoid/prevent from damages/scratches and discoloration.