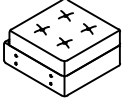

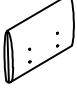



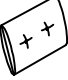



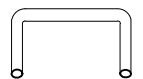
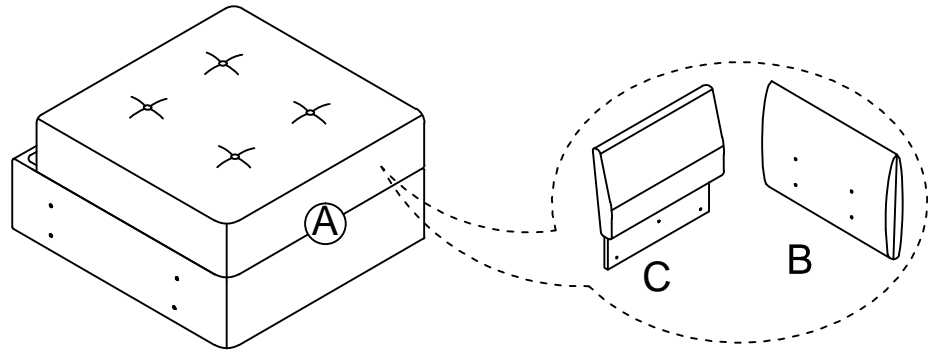


ASSEMBLY INSTRUCTION

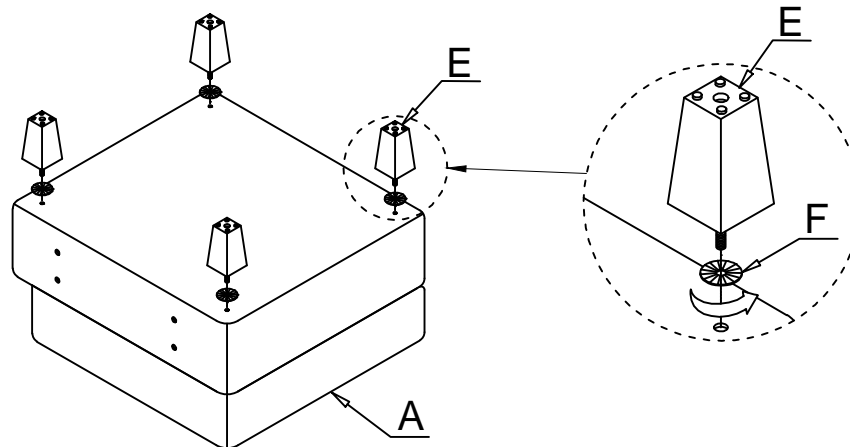
ITEM NO: 9557BUE-C1A CHAIR WITH ONE ARM & STORAGE

NO.	PARTS LIST	QTY	DESCRIPTION	NO.	PARTS LIST	QTY	DESCRIPTION
A		1	Seat Frame	G		4	Allen Bolt ØM8*50
B		1	LSF/RSF Armrest	H		3	Allen Bolt ØM8*35
C		1	Back Rest	I		7	Flat Washer M8*Ø22*1.5mm
D		1	Back Cushion	K		7	Lock Washer M8
E		4	Plastic Leg 65*65*118mm	L		1	Allen Key M5*100*50mm
F		4	Washer	M		2	Clamp 60*40*5mm

STEP 1: Take out LSF/RSF Armrest (B), Back rest (C) from the bottom.



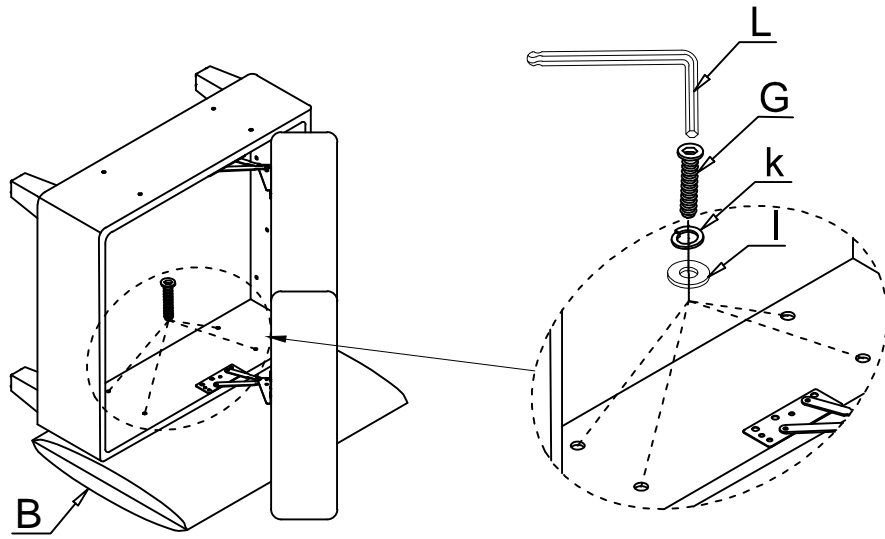
STEP 2:



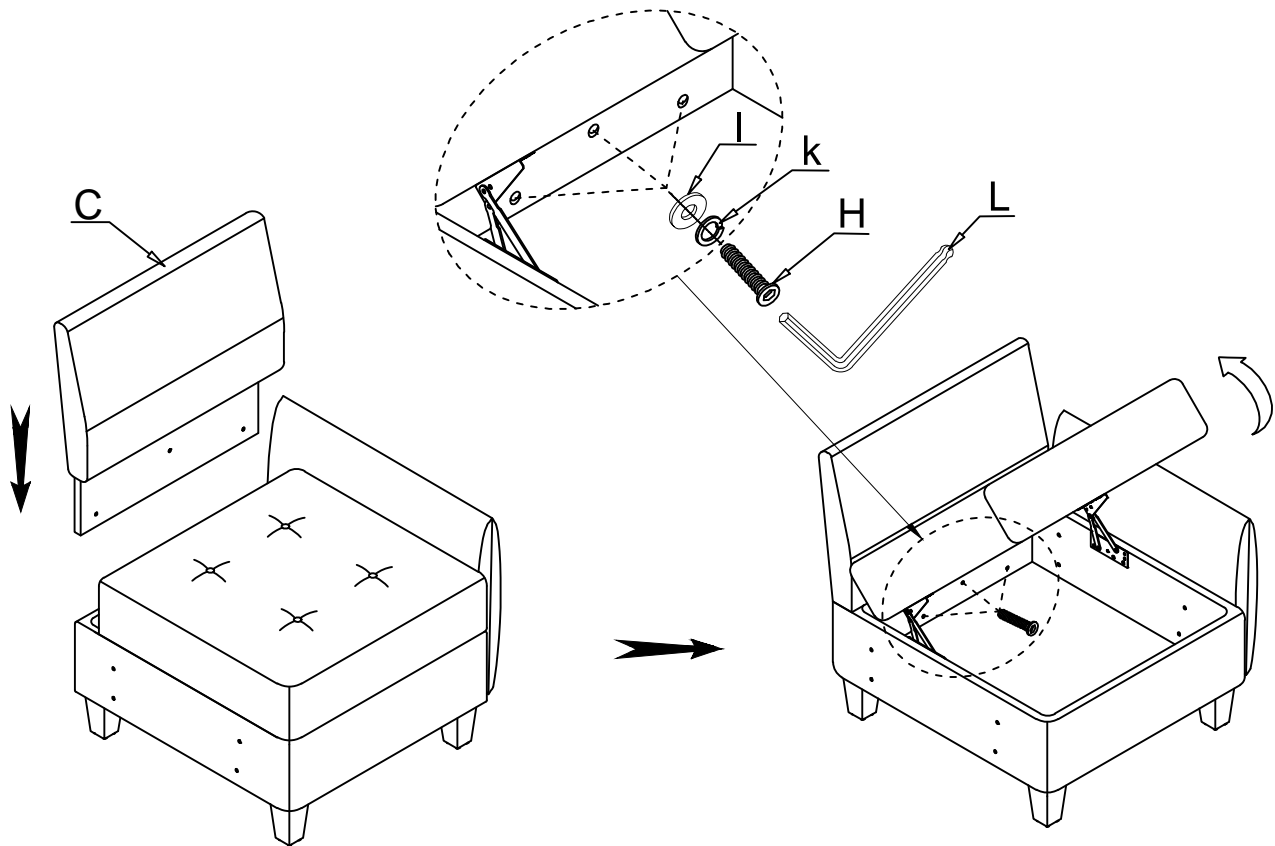
ASSEMBLY INSTRUCTION

ITEM NO: 9557BUE-C1A CHAIR WITH ONE ARM & STORAGE

STEP 3:



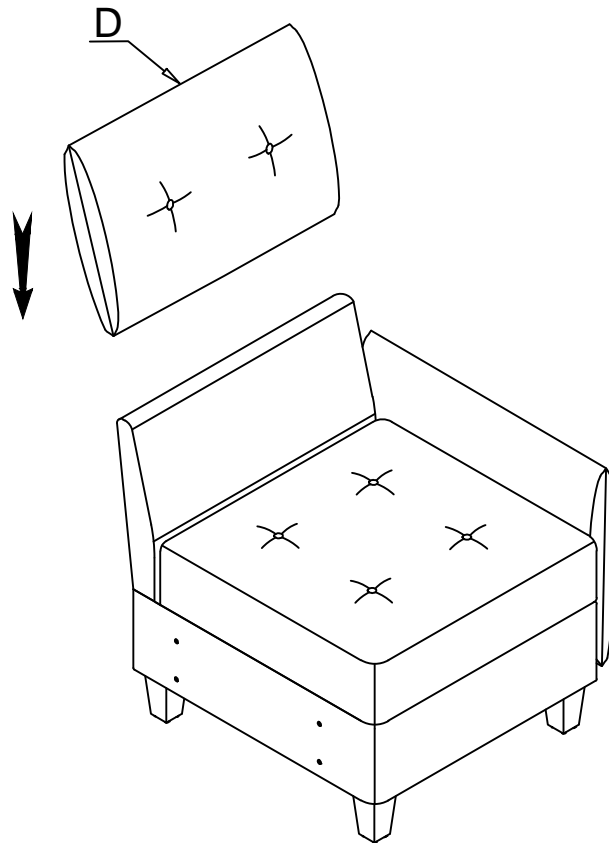
STEP 4:



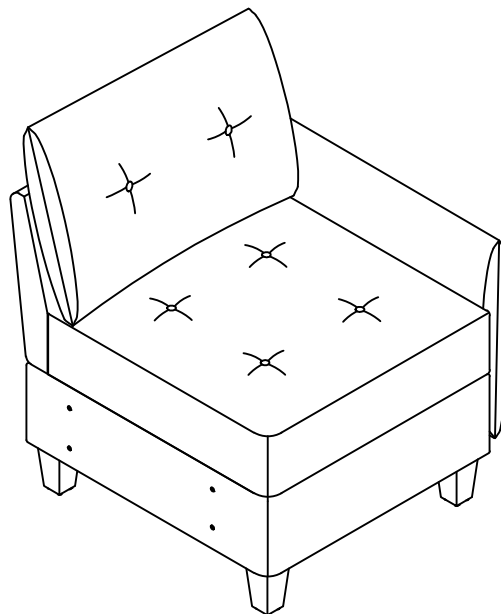
ASSEMBLY INSTRUCTION

ITEM NO: 9557BUE-C1A CHAIR WITH ONE ARM & STORAGE

STEP 5:



STEP 6:



CARE INSTRUCTION FOR FABRIC FURNITURE





In order to maintain the original appearance of your fabric furniture, please follow below simple care procedures.

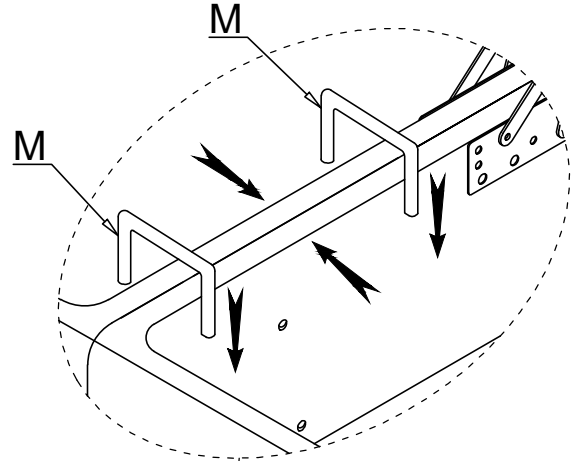
°Avoid exposing furniture directly to sunlight or heating and air conditioning outlets. Exposure to sunlight or heating and air conditioning outlets will fade/damage fabric.

°Wipe gently with a damp soft cloth to remove dust, dirt and any grime build up.

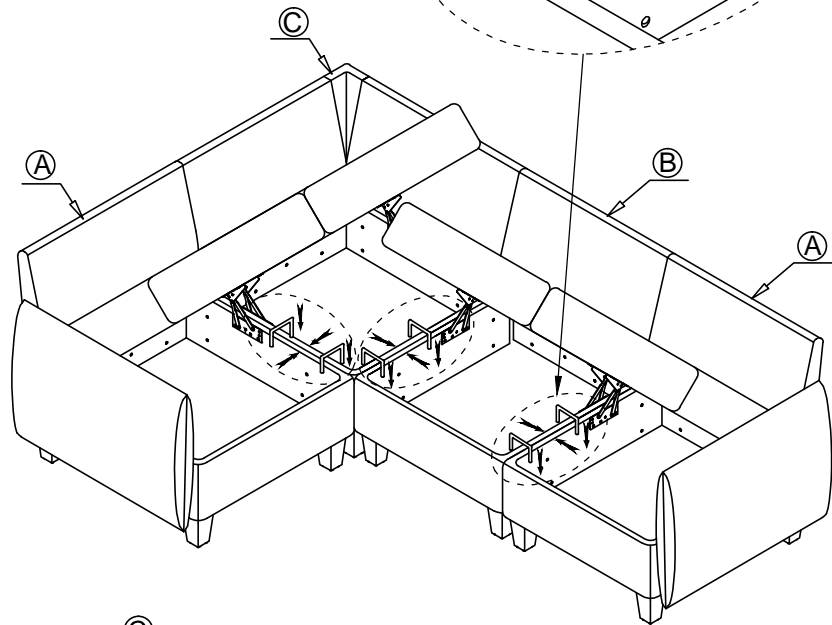
ASSEMBLY INSTRUCTION

ITEM NO: 9557BUE-C1A CHAIR WITH ONE ARM & STORAGE

NO.	PARTS LIST	QTY	DESCRIPTION
A		1	Chair With One Arm & Storage
B		1	Armless Chair With Storage
C		1	Corner Seat With Storage
D		1	Ottoman With Storage



STEP 7:



STEP 8:

