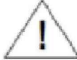




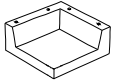




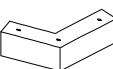
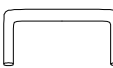
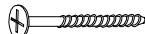

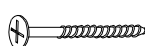
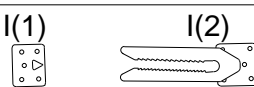
# ASSEMBLY INSTRUCTION

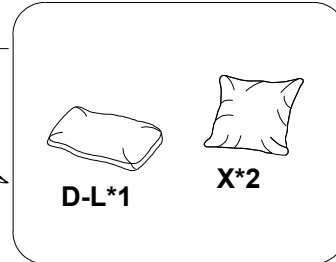
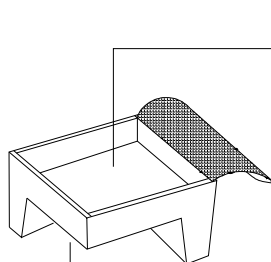
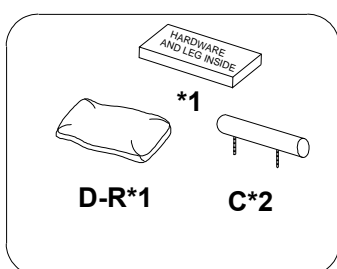
ITEM NO.: 8555BE/GY/GB/BK-CR  
CORNER SEAT

 Legs and hardware are stored in the box, please take out for assembly.

NOTE: Do not use power tools for assembly. Power tools increase the risk of over tightening which lead to splitting or cracking the wood.

## CHAIR COMPONENT LIST

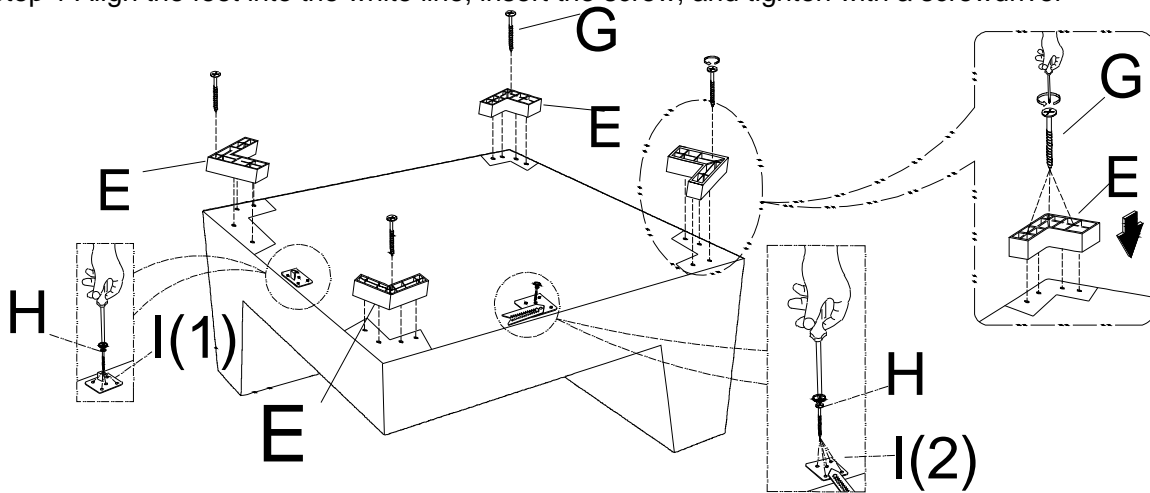
NO	DRAWING	QTY	DESCIPTION
A		1	SEAT
B		1	SEAT CUSHION
C		2	HEADREST
D-L		1	L LSF BACK CUSHION
D-R		1	R RSF BACK CUSHION
E		4	PLASTIC LEG
F		2	CONNECTOR
G		16	SCREW #4X45MM
X		2	SQUARE PILLOW (DIM 21"x21")
H		10	SCREW #4X25MM
I		1	ALLIGATOR INSERT



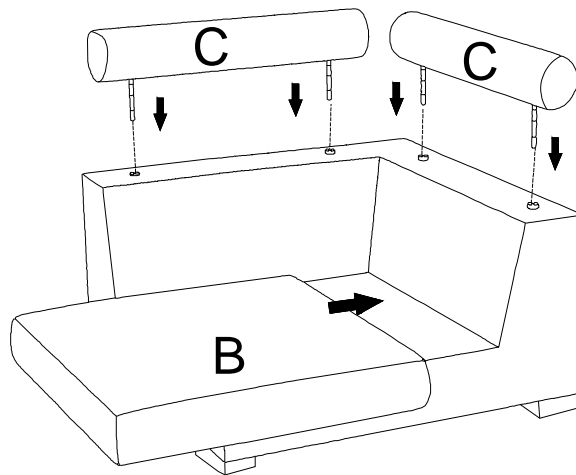
# ASSEMBLY INSTRUCTION

NOTE: Please take out all the parts inside the bottom frame before assembling the leg.

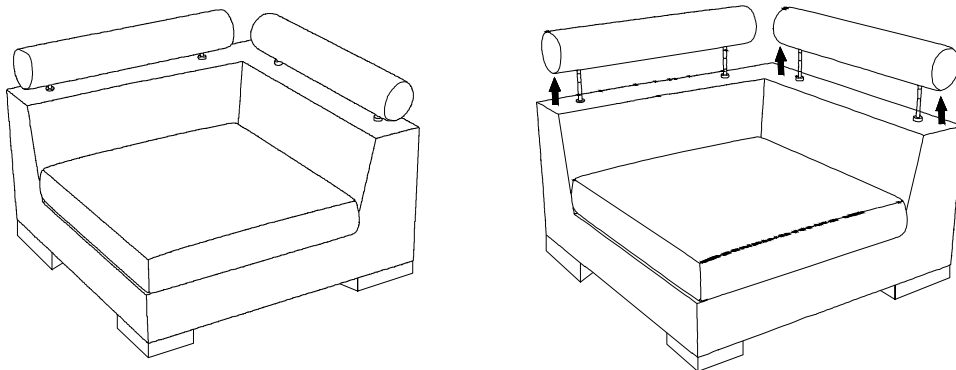
Step 1 Align the feet into the white line, insert the screw, and tighten with a screwdriver



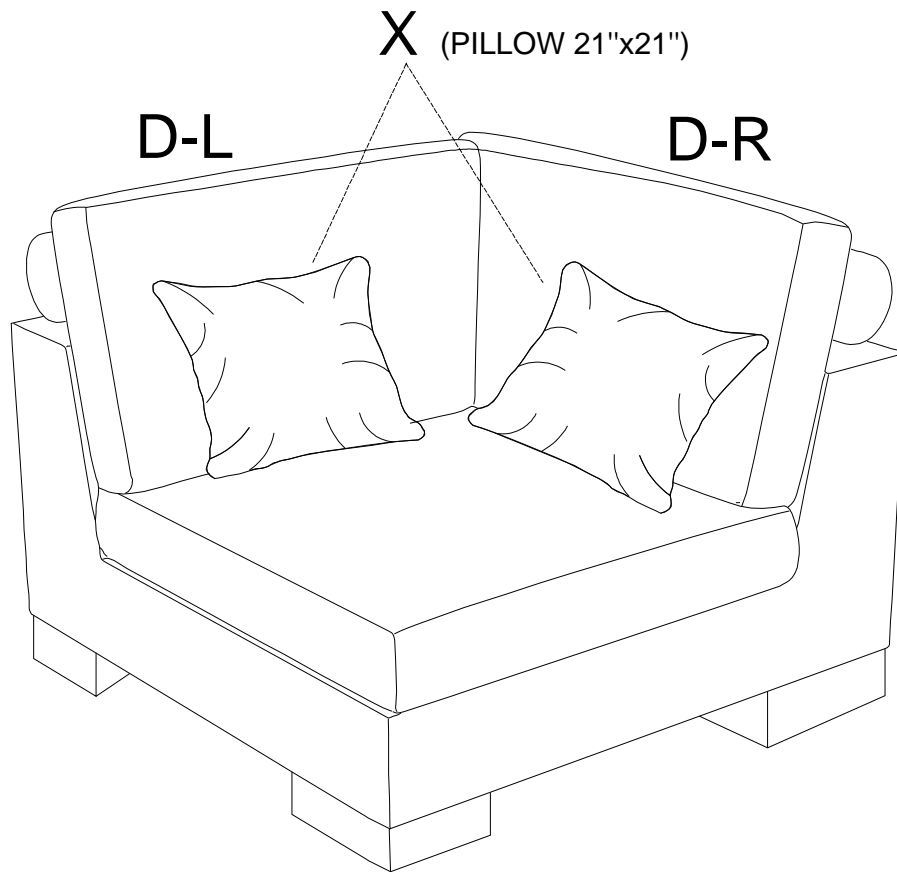
Step 2



Step 3

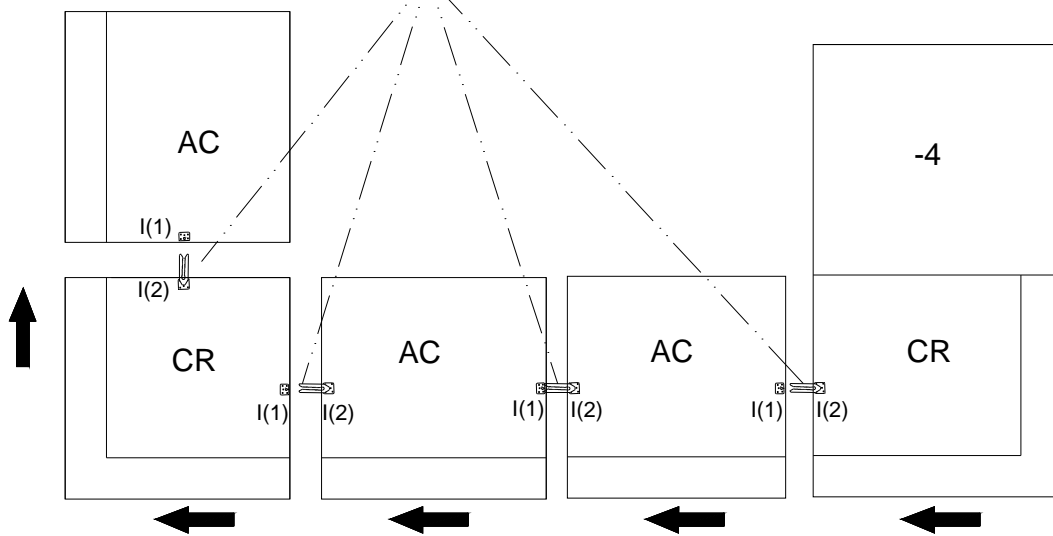
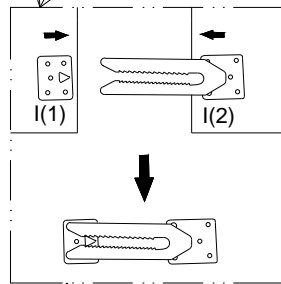
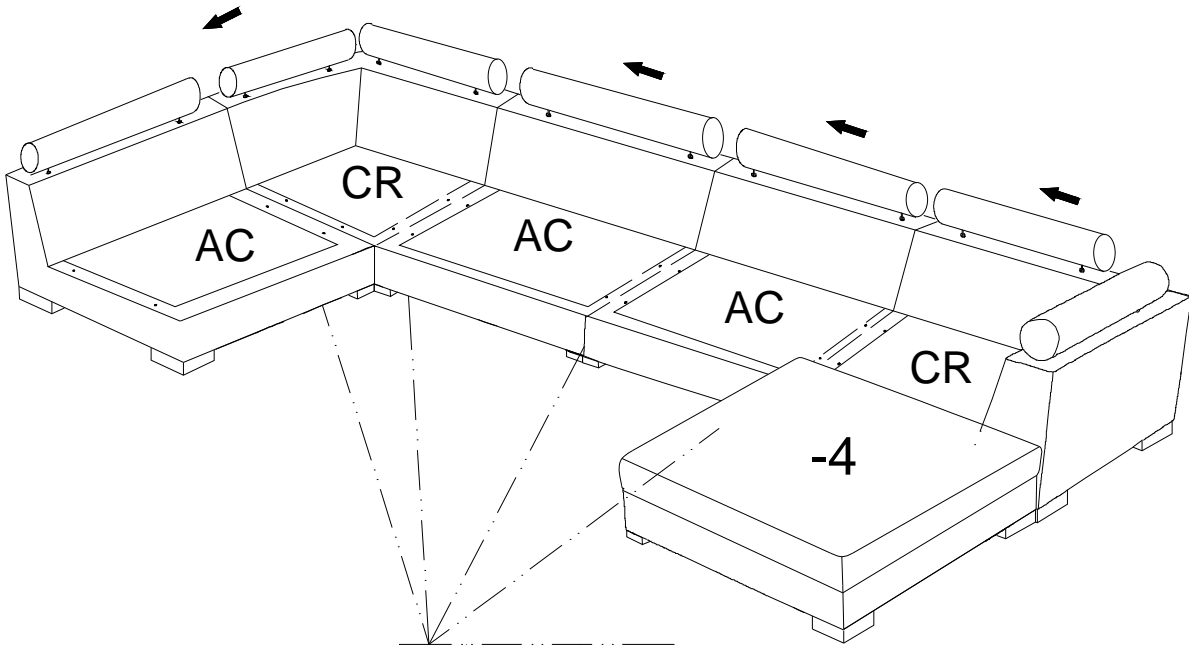


# ASSEMBLY INSTRUCTION



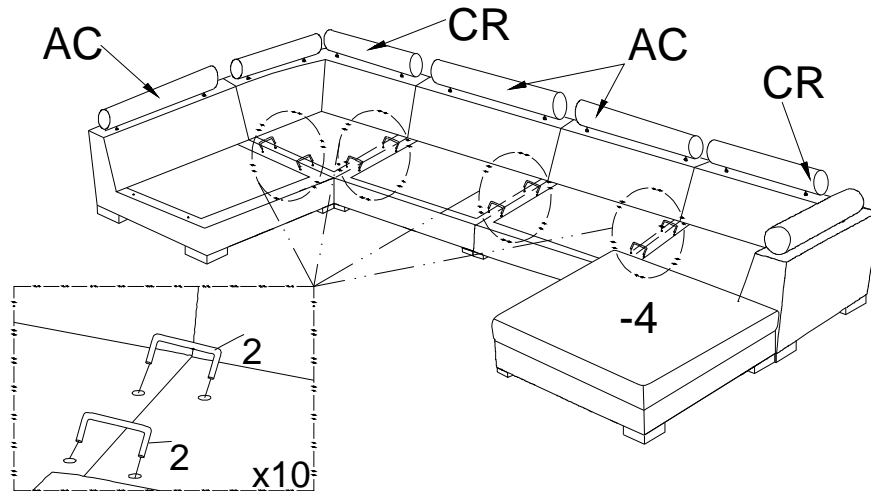
# ASSEMBLY INSTRUCTION

## STEP 1

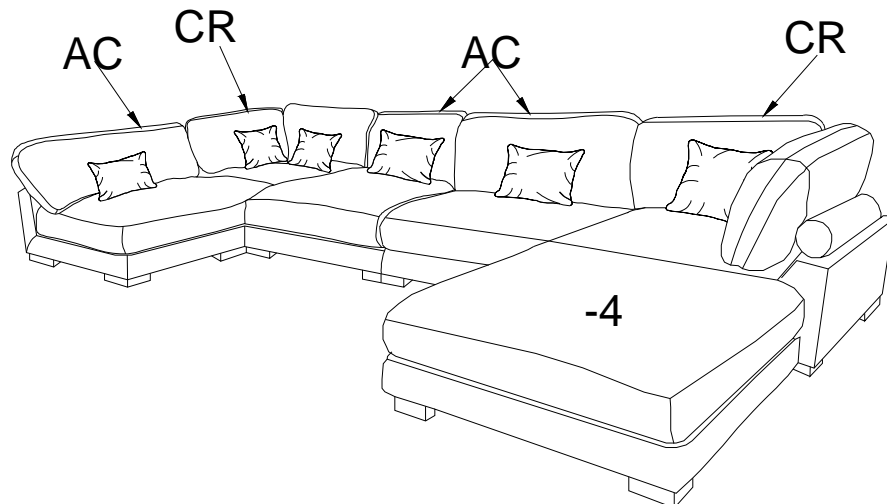


# ASSEMBLY INSTRUCTION

## STEP 2



## STEP 3



### Care Instruction for Corduroy Furniture:

In order to maintain the original appearance of your Corduroy furniture, please follow below simple care procedures:

Avoid exposing furniture directly to sunlight or heating and air conditioning outlets. Sunlight and or exposure to heating and air conditioning outlets will fade/damage Corduroy.

Vacuum or wipe with a soft cloth to remove dust.

Hardware may loosen over time. Periodically check to make sure all connection are tight, Re-tighten if necessary.



For item use on wooden floor, hard surfaces or carpets, it is recommended to install protective pads under all legs and supports to avoid/prevent from damages/scratches and discoloration.