



# ASSEMBLY INSTRUCTION

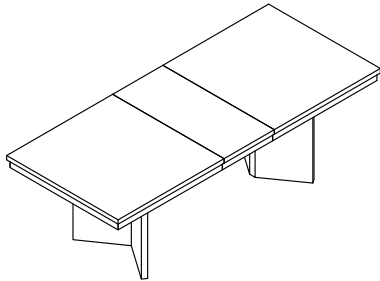
ITEM NO : 5414-95/ 5414-95B DINING TABLE

5414-95

DINING TABLE TOP

5414-95B

DINING TABLE BASE



Thank you for purchasing this product. Please take time to read and follow the instructions below. Check that you have all parts and hardware before assembly. Parts apparently missing are often found in the packing materials. If you do not have all the parts listed, have your dealer contact us and they will be sent to you immediately.



It is recommended to install protective pads under all legs and supports to avoid damage or scratches when placing furniture on a wood floor or other hard surface, and to limit indentation and prevent discoloration if placing on carpet.



Hardware may loosen over time. Periodically check to make sure all connections are tight. Re-tighten if necessary.

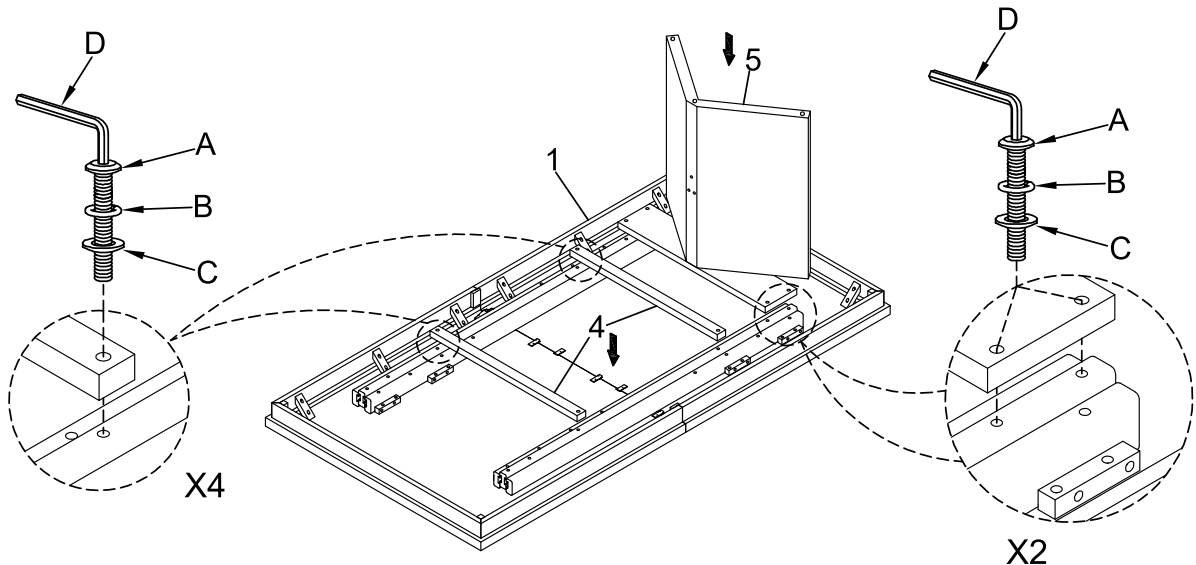
5414-95 PARTS LIST			
No	Sketch	Description	Quantity
1		Table Top	1PC
2		Leaf	1PC
3		Stretcher	1PC
4		Mounting Plate Leaf	2PCS

5414-95B PARTS LIST			
No	Sketch	Description	Quantity
5		Leg Frame	2PCS

HARDWARE LIST				
No	Description	Size	Sketch	Quantity
A	Bolt	Ø5/16" - 18 x 1-3/4"		12PCS
B	Lock Washer	5/16" x 9/32" x 1/2" x 1/16"		14PCS
C	Flat Washer	5/16" x 9/32" x 3/4" x 5/64"		12PCS
D	Allen Wrench	1/6"		1PC
E	Hanger Bolt	Ø5/16" - 18 x 3-1/4"		2PCS
F	Halfmoon Washer	Ø5/16" x 1-1/8" x 1/2"		2PCS
G	Nut	Ø5/16" x 1/2"		2PCS
H	Open Wrench	1/2"		1PC

\*\* ABOVE HARDWARE ARE PACKED IN 5414-95 FOR ASSEMBLY.

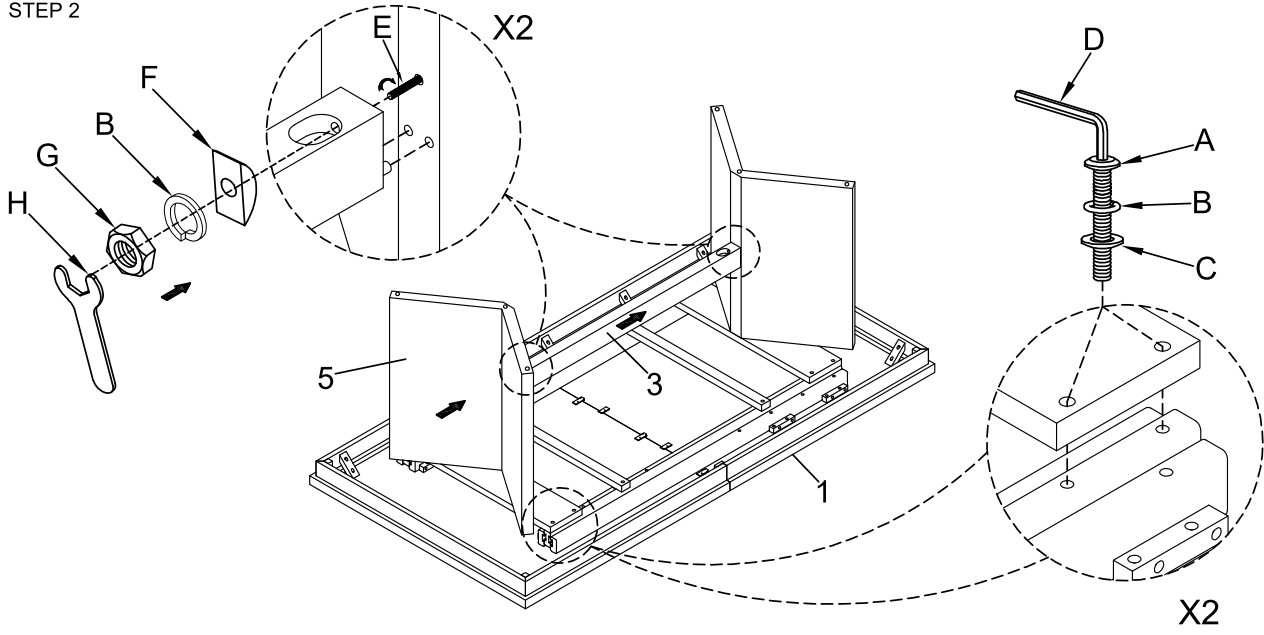
STEP 1



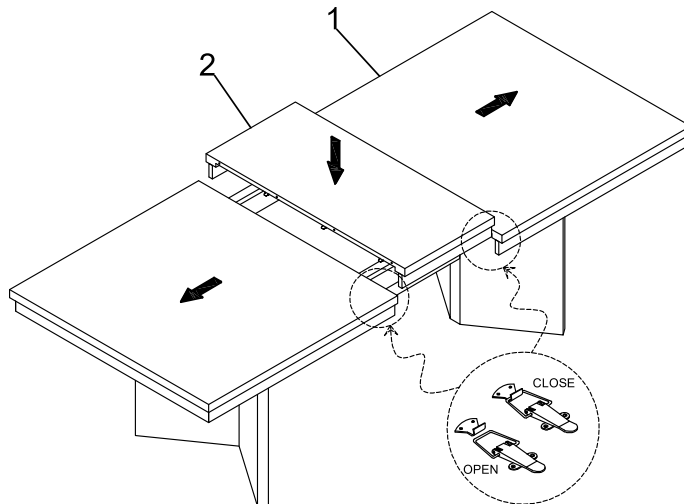
DO NOT TIGHTEN SCREWS AND BOLTS UNTIL COMPLETELY ASSEMBLED.  
MADE IN VIETNAM

PAGE 1 OF 2

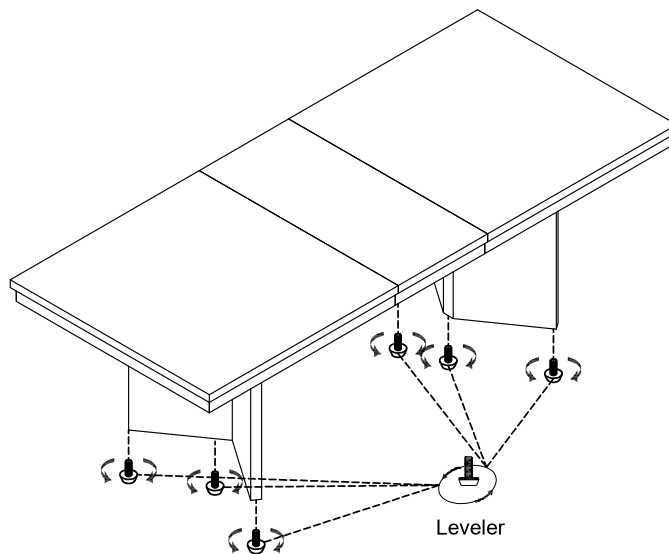
STEP 2



STEP 3



COMPLETED



DO NOT TIGHTEN SCREWS AND BOLTS UNTIL COMPLETELY ASSEMBLED.  
MADE IN VIETNAM