

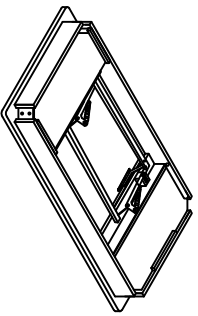


HOME LEGANCE

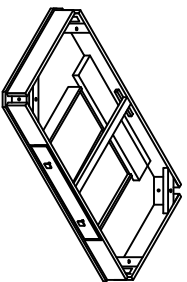
# ASSEMBLY INSTRUCTION

## 3256RF-30 LIFT TOP COCKTAIL TABLE

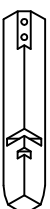
PARTS LIST:








1: TABLE TOP 1pc



2: BOTTOM UNIT WITH DRAWER 1pc

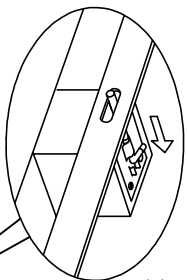


3: LEG 4pcs

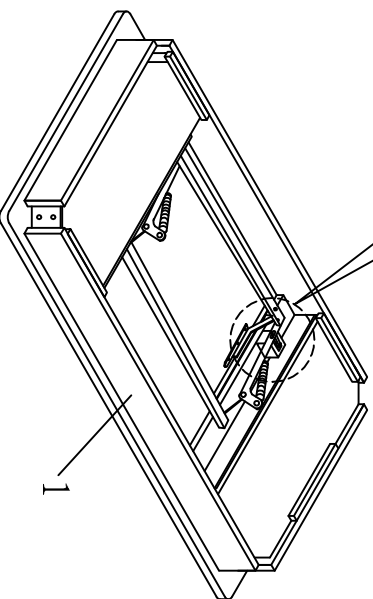
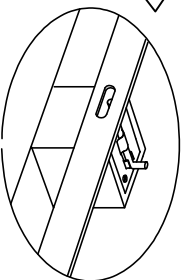
HARDWARE LIST		
A		Ø1/4"×2" L 12PCS
B		4mm 1PC
C		CASTER WITH LOCK 2PCS
D		CASTER 2PCS
E		ALLEN WRENCH 1PC

STEP#1

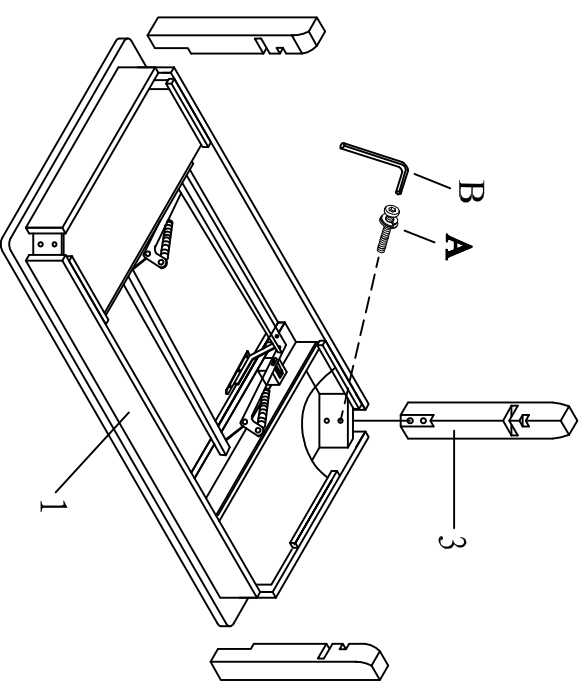
LOCK



UNLOCK



STEP#2



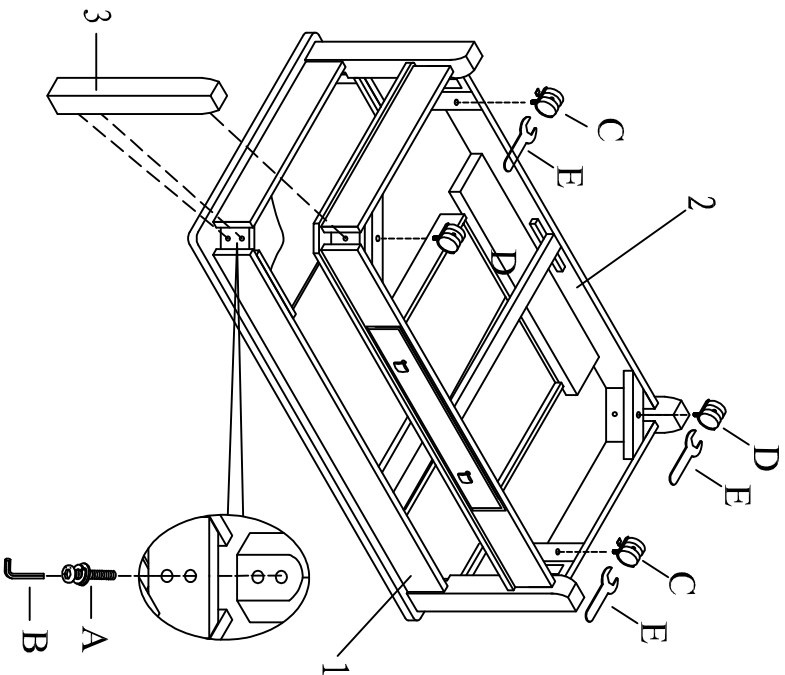


HOME ELEGANCE

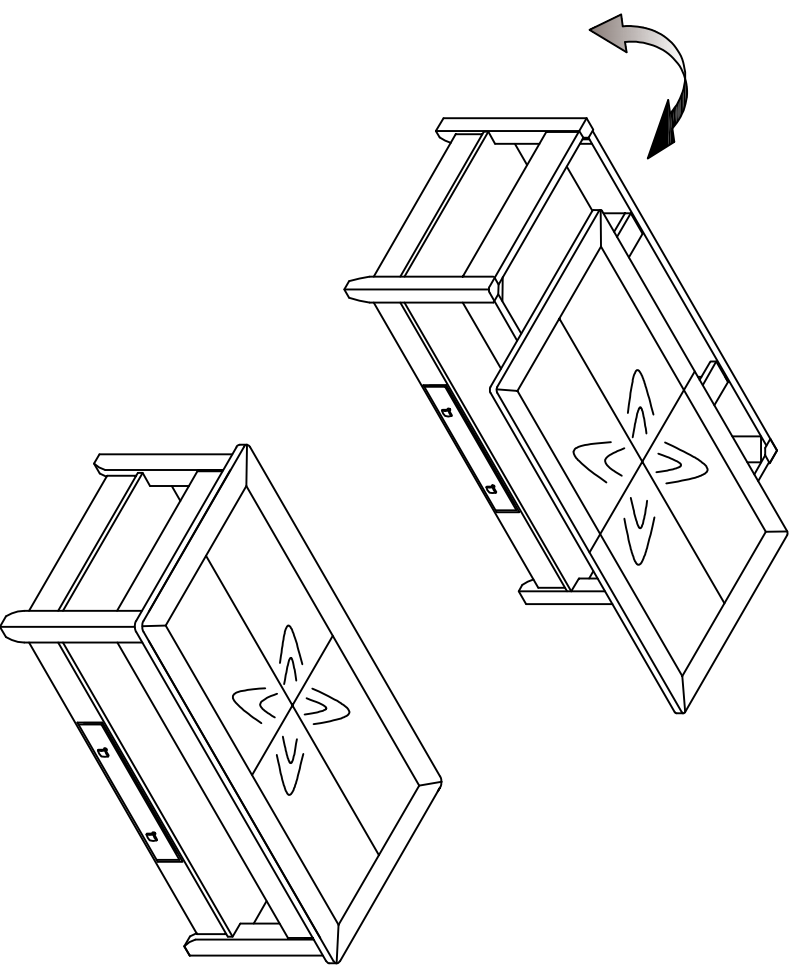
# ASSEMBLY INSTRUCTION

## 3256RF-30 LIFT TOP COCKTAIL TABLE

### STEP 3



### COMPLETED



### CAUTION!

Do not allow children to play on the mechanized furniture or operate the mechanism. Top surfaces fold down on closing, so that a child could possibly be injured. Always leave furniture in the closed position when unattended. To prevent the table from tipping over, do not place more than 30 pounds on the top when in the open position. KEEP HANDS CLEAR OF MECHANISM.



For items use on wooden floor, hard surfaces or carpets, it is recommended to install protective pads under all legs and supports to avoid/prevent from damages/scratches and discoloration.