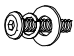

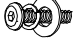
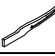

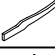
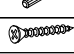
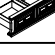



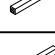
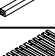




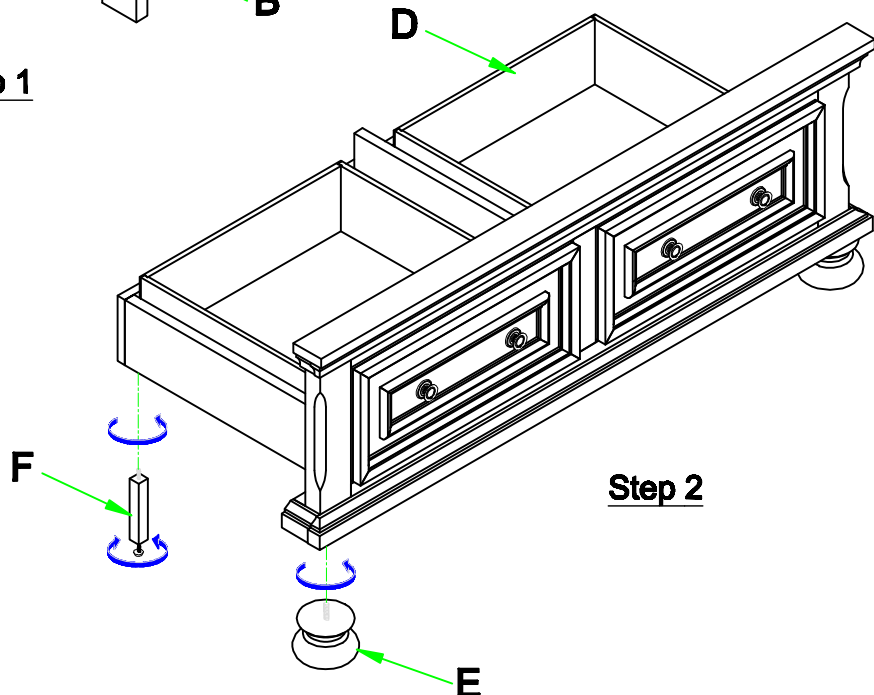
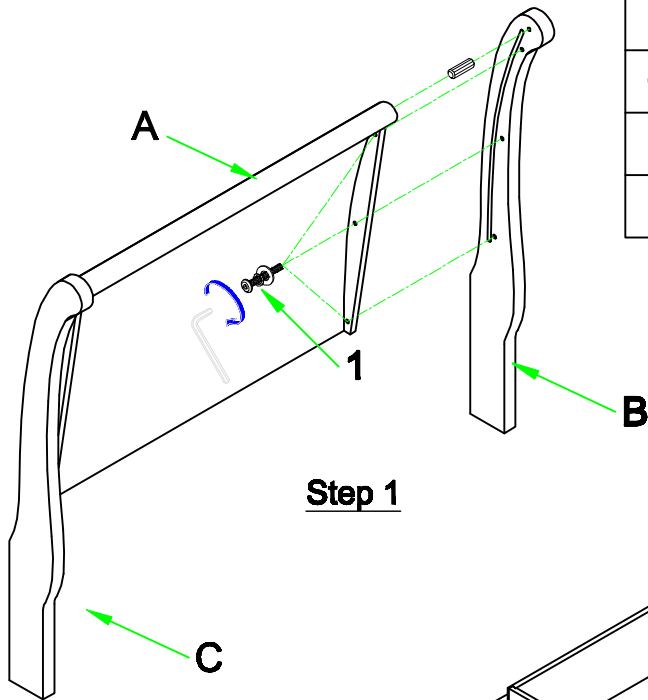


Assembly Instruction

2159 FULL PLATFORM BED

ITEM: #2159F-1 FULL HEADBOARD
 #2159F-2NF FULL FOOTBOARD
 2 DRAWERS & SLATS
 #2159T-3 TWIN/FULL RAILS

NO.	Hardware List		Q' TY	NO.	Parts list		Q' TY
1		Ø5/16" *1-1/2"L Allen Bolt	6PCS	A		Headboard	1PC
		Ø5/16" Spring washer	6PCS	B		Left Headboard Leg	1PC
		Ø5/16" *19mm Flat washer	6PCS	C		Right Headboard Leg	1PC
		Allen key (4mm)	1PC	D		Footboard w / drawers	1PC
		Ø10mm*40mm Wooden dowel	2PCS	E		Bun Foot	2PCS
2		Ø8*Ø4*1-1/4"L Wood Screw	10PCS	F		Support leg of drawer	3PCS
				G		Support legs for slats	4PCS
				H		Slats	15PCS
				I		Rails	2PCS



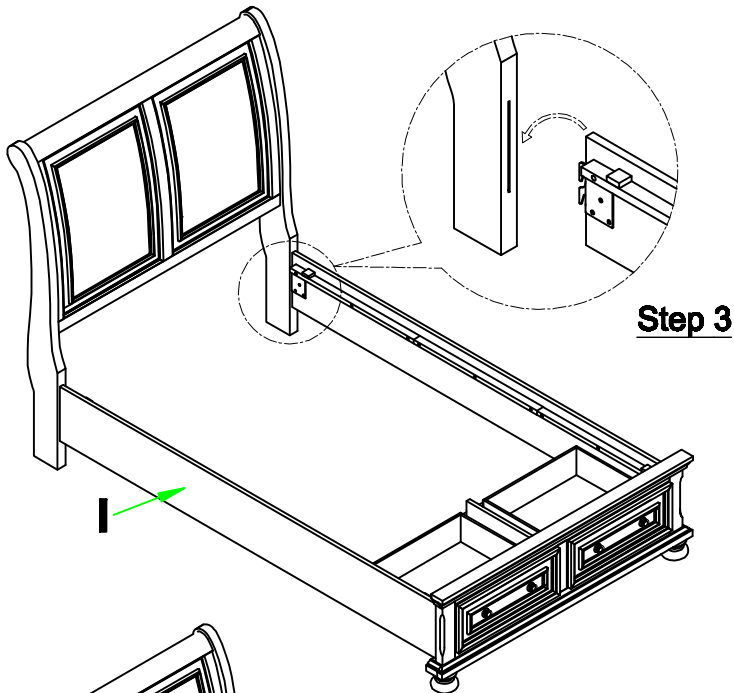
For items use on wooden floor, hard surfaces or carpets, it is recommended to Install protective pads under all legs and supports to avoid/prevent from damages/scratches and discoloration.

MADE IN VIETNAM

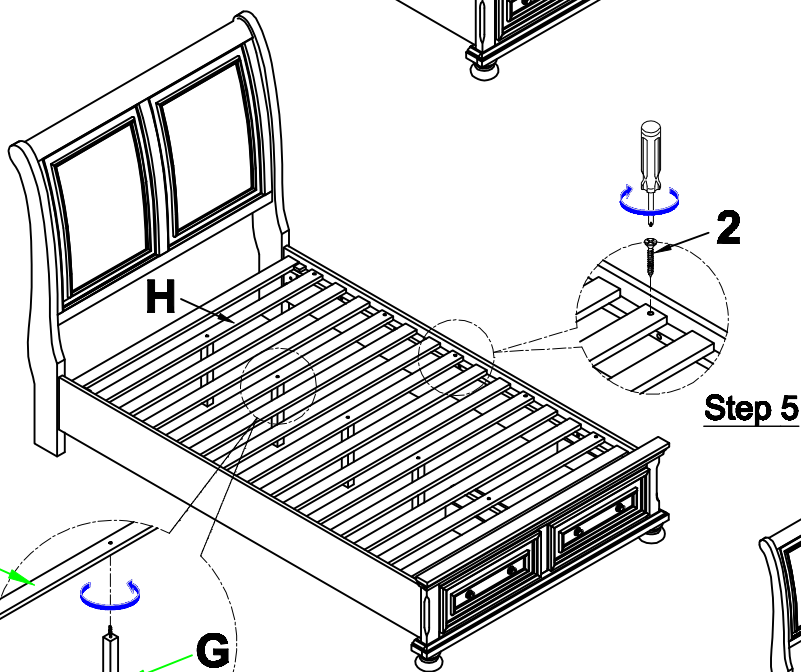


Assembly Instruction

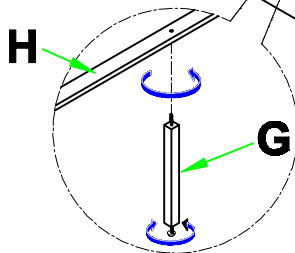
- 2159 FULL PLATFORM BED**
ITEM: #2159F-1 FULL HEADBOARD
#2159F-2NF FULL FOOTBOARD
2 DRAWERS & SLATS
#2159T-3 TWIN/FULL RAILS



Step 3



Step 5



Step 4



Assembly completed

MADE IN VIETNAM