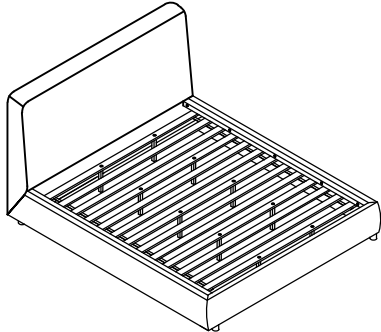




ASSEMBLY INSTRUCTIONS

ITEM NO.: 1931K-1 KING UPH HEADBOARD
 1931K-2 KING UPH FOOTBOARD W/ SLATS
 1931K-3CK CALIFORNIA KING UPH SIDE RAIL



Thank you for purchasing this product. Please take time to read and follow the instructions below. Check that you have all parts and hardware before assembly. Parts apparently missing are often found in the packing materials. If you do not have all the parts listed, have your dealer contact us and they be sent to you immediately.



It is recommended to install protective pads under all legs and support to avoid damage or scratches when placing furniture on a wood floor or other hard surface, and to limit Indentation and prevent discoloration if placing on carpet.

* DO NOT TIGHTEN BOLTS UNTIL COMPLETELY ASSEMBLED

1931K-1 PARTS LISTS

NO.	SKETCH	DESCRIPTION	QTY
A		Headboard	1 PC
B		Bun foot	2 PCS

HARDWARE LISTS

NO.	SKETCH	DESCRIPTION	SIZE	QTY
1		Thread Bolt	Ø5/16"-18 x 3-1/8"L	6 PCS
2		Flat washer	Ø5/16" x 23/32" x 2mmT	6 PCS
3		Hex Nut	Ø5/16"x1/2"x5/8"L	6 PCS
4		Open Wrench	1/2" x 3-1/2"L	1 PC

1931K-2 PARTS LISTS

B		Bun foot	2 PCS
C		Footboard	1 PC
D		Slat	1 ROLL/ 13 PCS
E		Slat Support Leg	10 PCS

* ABOVE HARDWARE ARE PACKED IN #1931K-1 FOR ASSEMBLY

HARDWARE LISTS

5		Bolt	Ø5/16"-18 x 1-1/4"L	8 PCS
6		Spring washer	Ø5/16" x 13/32" x 2mmT	8 PCS
7		Flat washer	Ø5/16" x 23/32" x 2mmT	8 PCS
8		Allen Key	1/6" x 2-3/8"L	1 PC
9		Metal Connector	7-4/5" x 2" x 2" x 2mmT	2 PCS
10		Screw	M4-13 x 1-1/4"L	26 PCS
		Screwdriver	Not Provided	

* ABOVE HARDWARE ARE PACKED IN #1931K-2 FOR ASSEMBLY

1931K-3CK PARTS LISTS

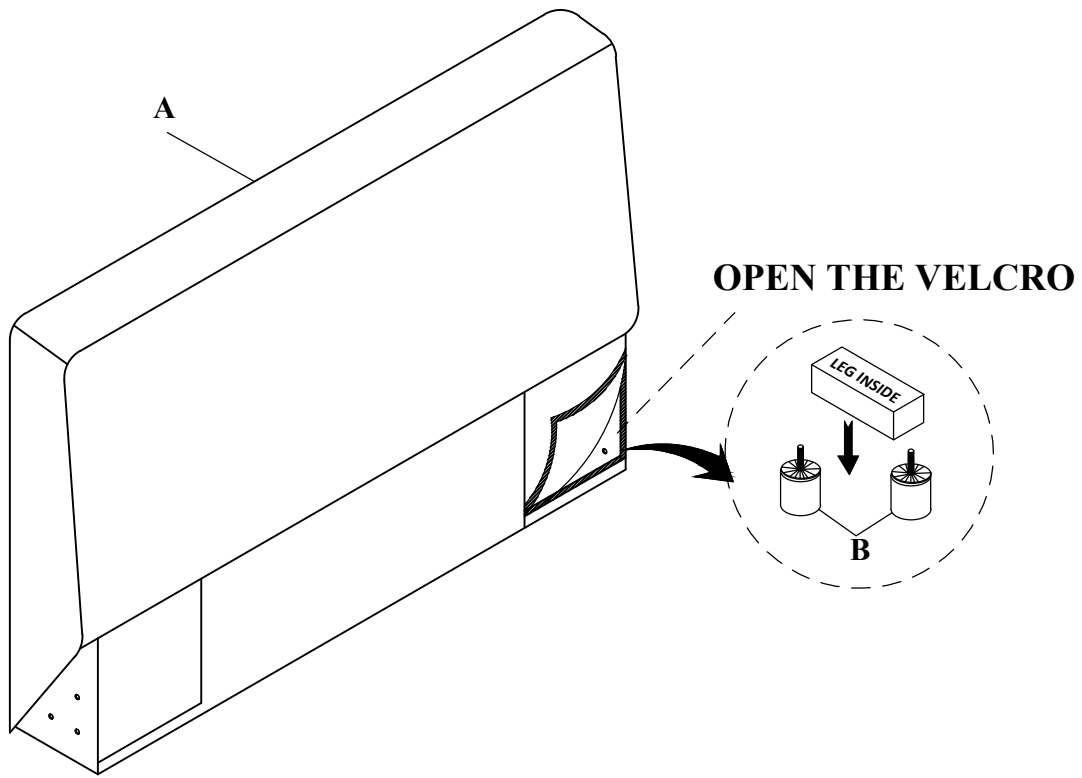
F		LSF Side Rail	1 PC
G		RSF Side Rail	1 PC
H		Cap Rail	2 PCS

HARDWARE LISTS

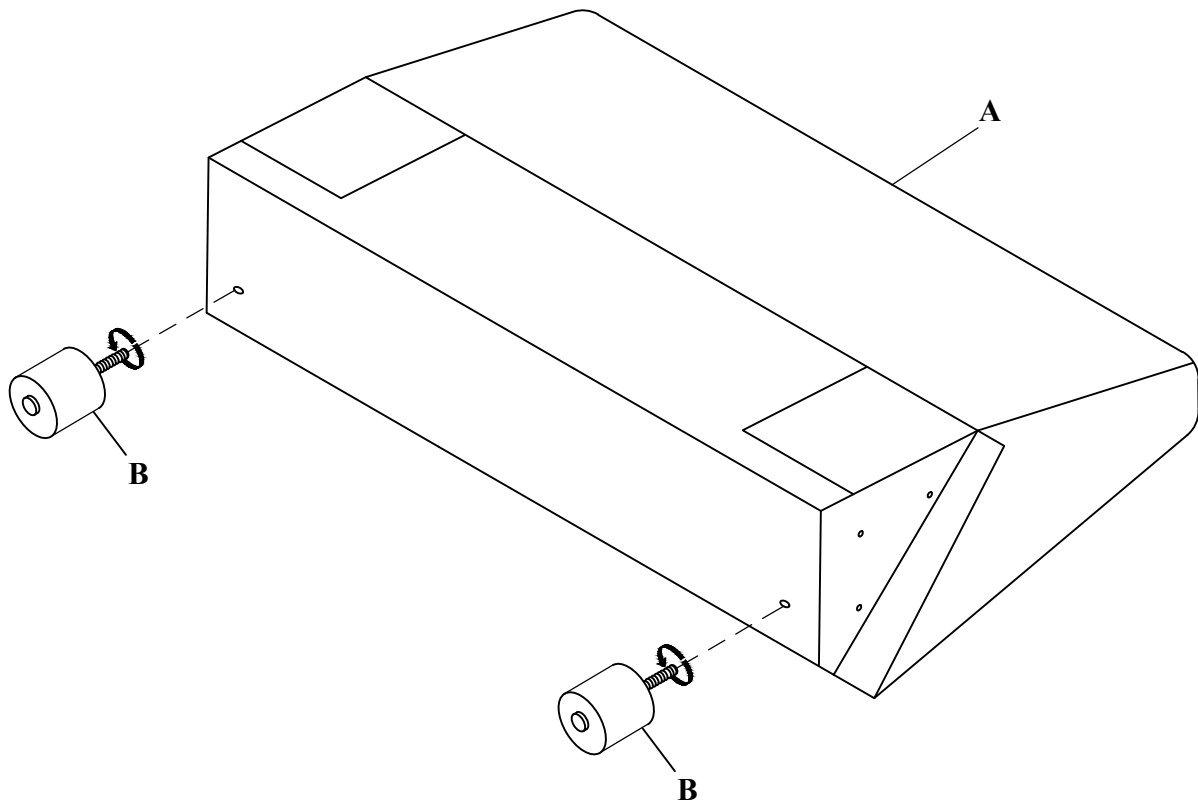
11		Bolt	Ø1/4"-38 x 2"L	10 PCS
12		Spring washer	Ø1/4" x 13/32" x 2mmT	10 PCS
8		Allen Key	1/6" x 2-3/8"L	1 PC

* ABOVE HARDWARE ARE PACKED IN #1931K-3CK FOR ASSEMBLY

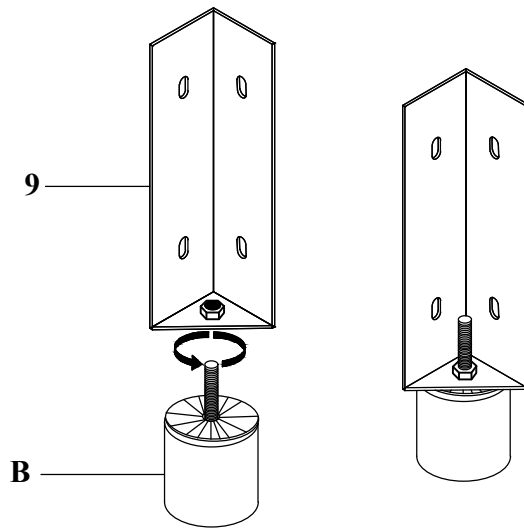
STEP 1:



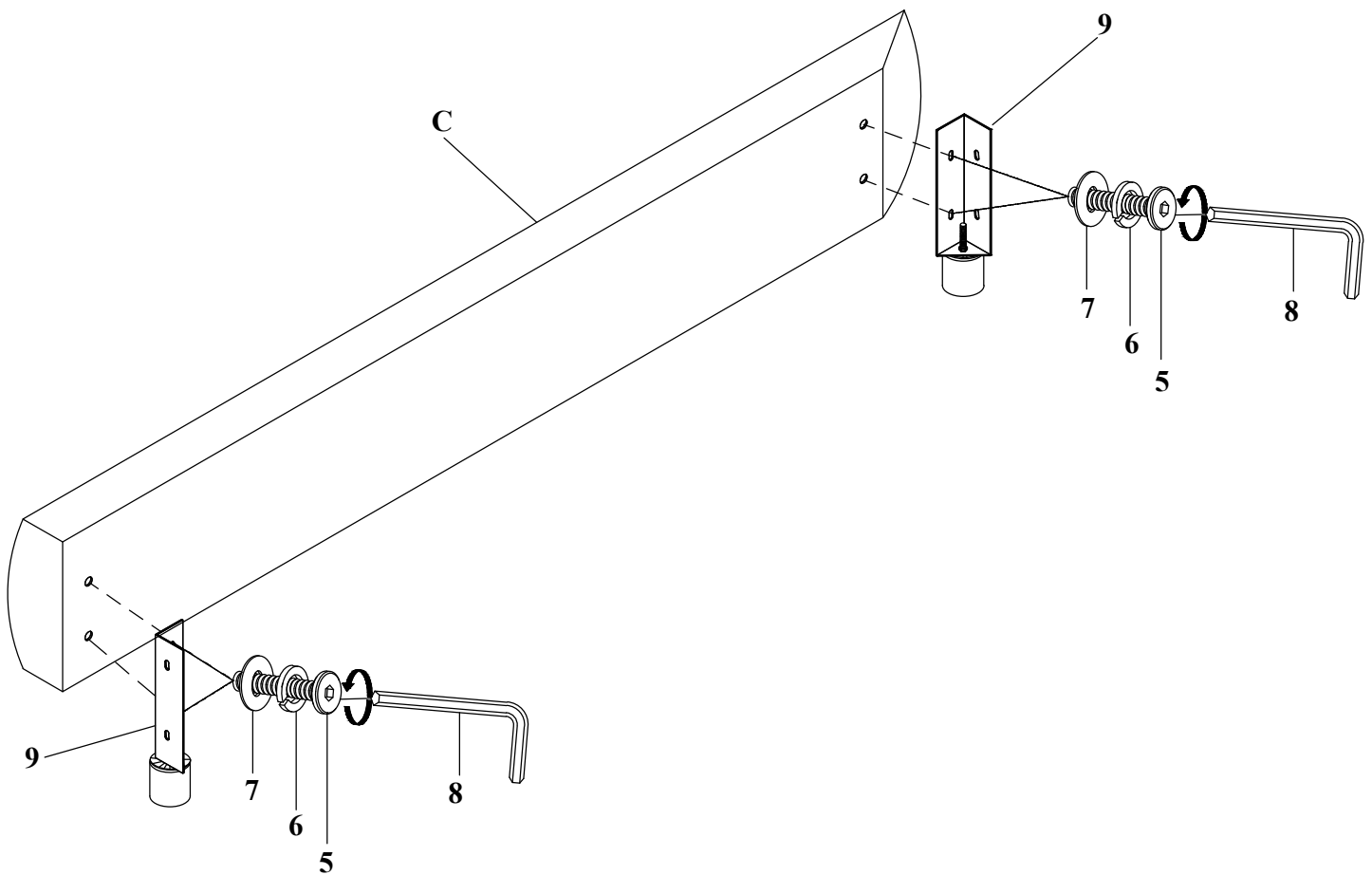
STEP 2:



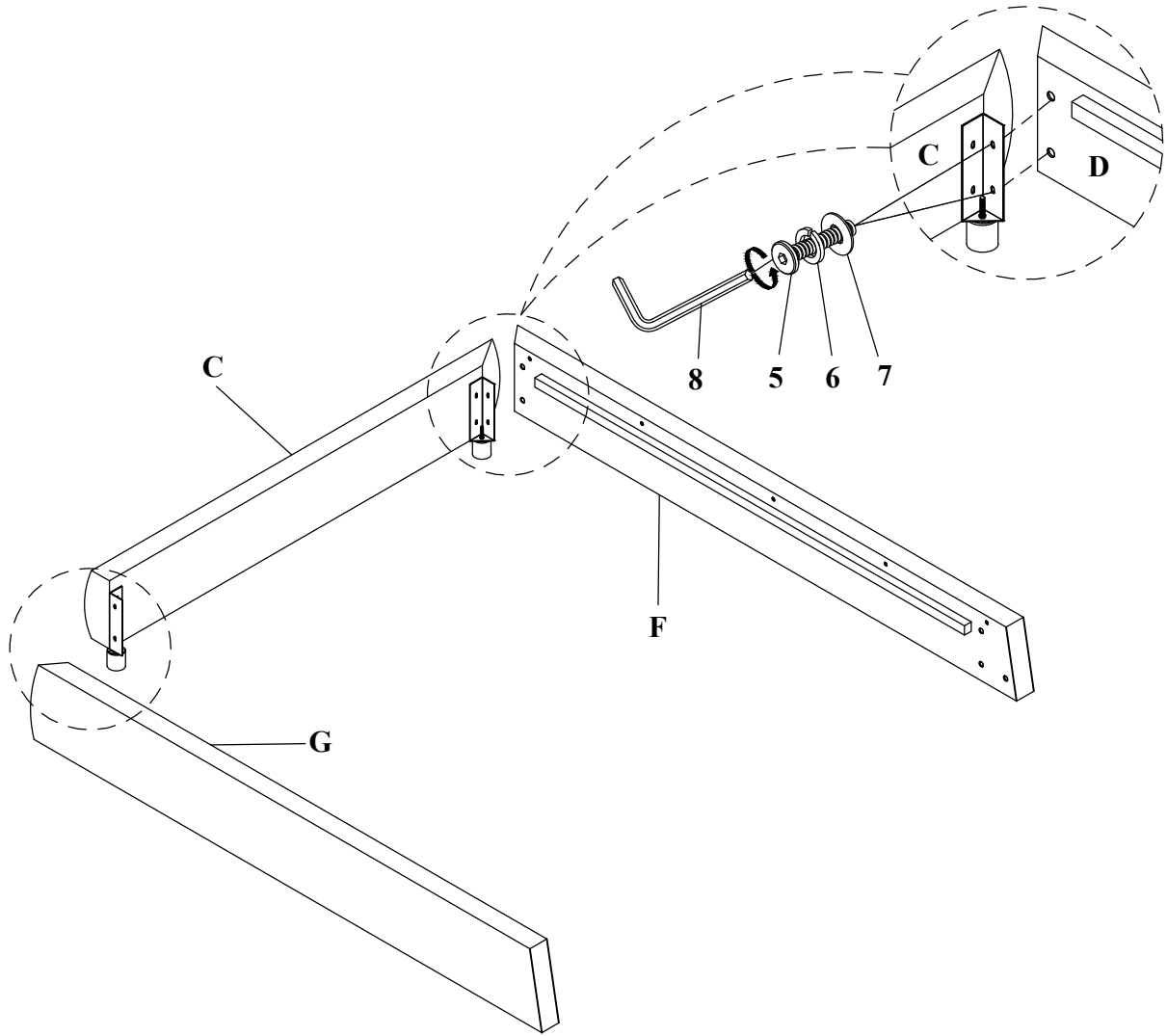
STEP 3:



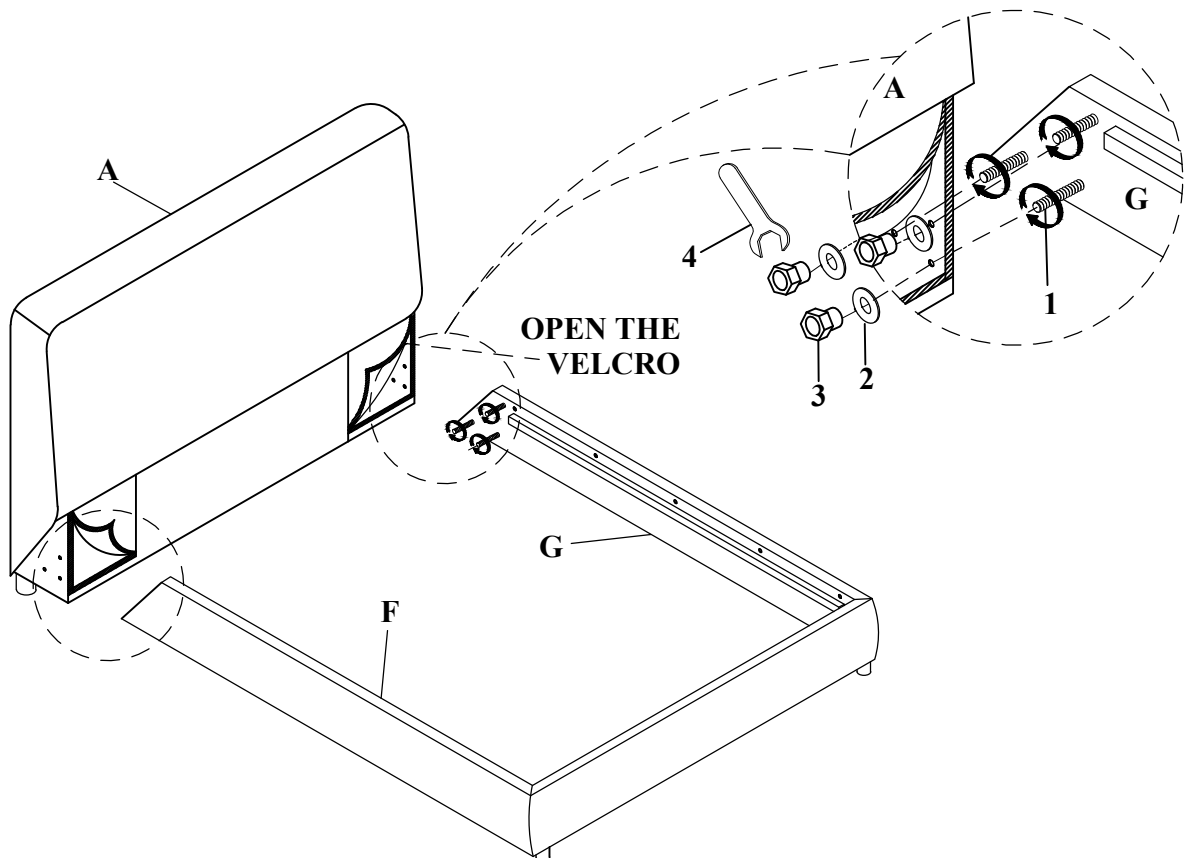
STEP 4:



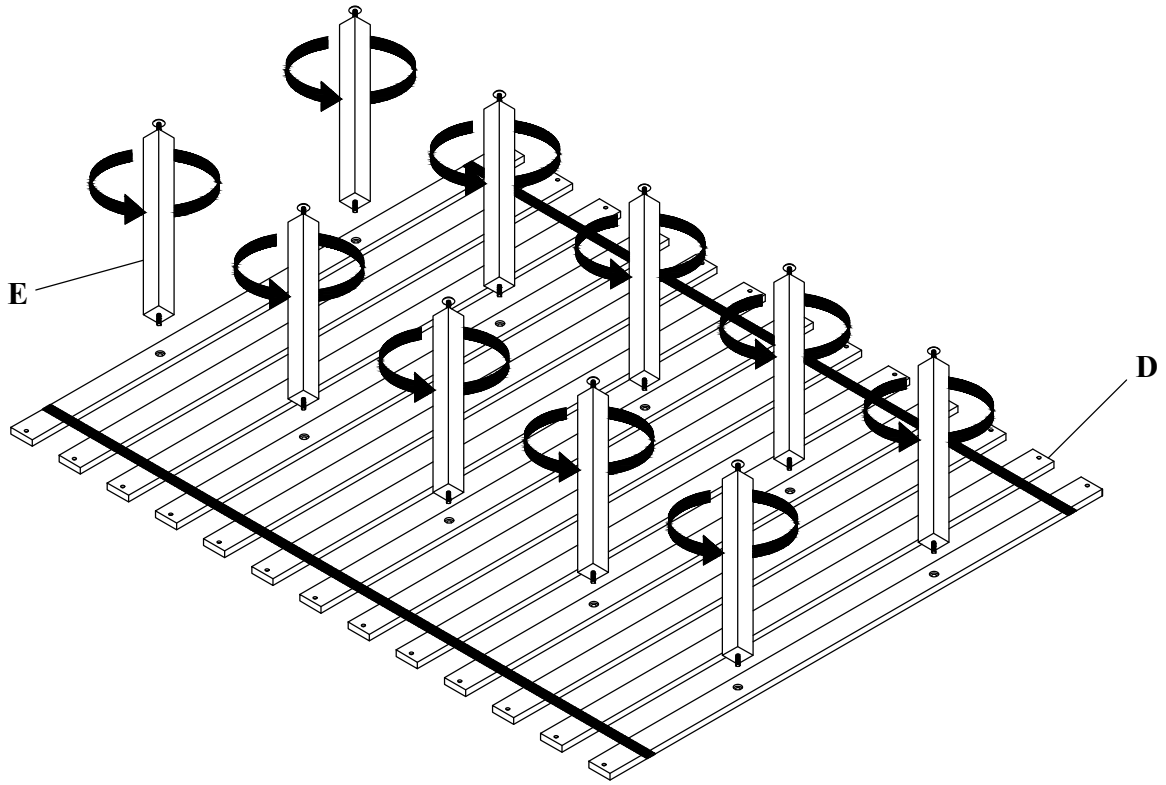
STEP 5:



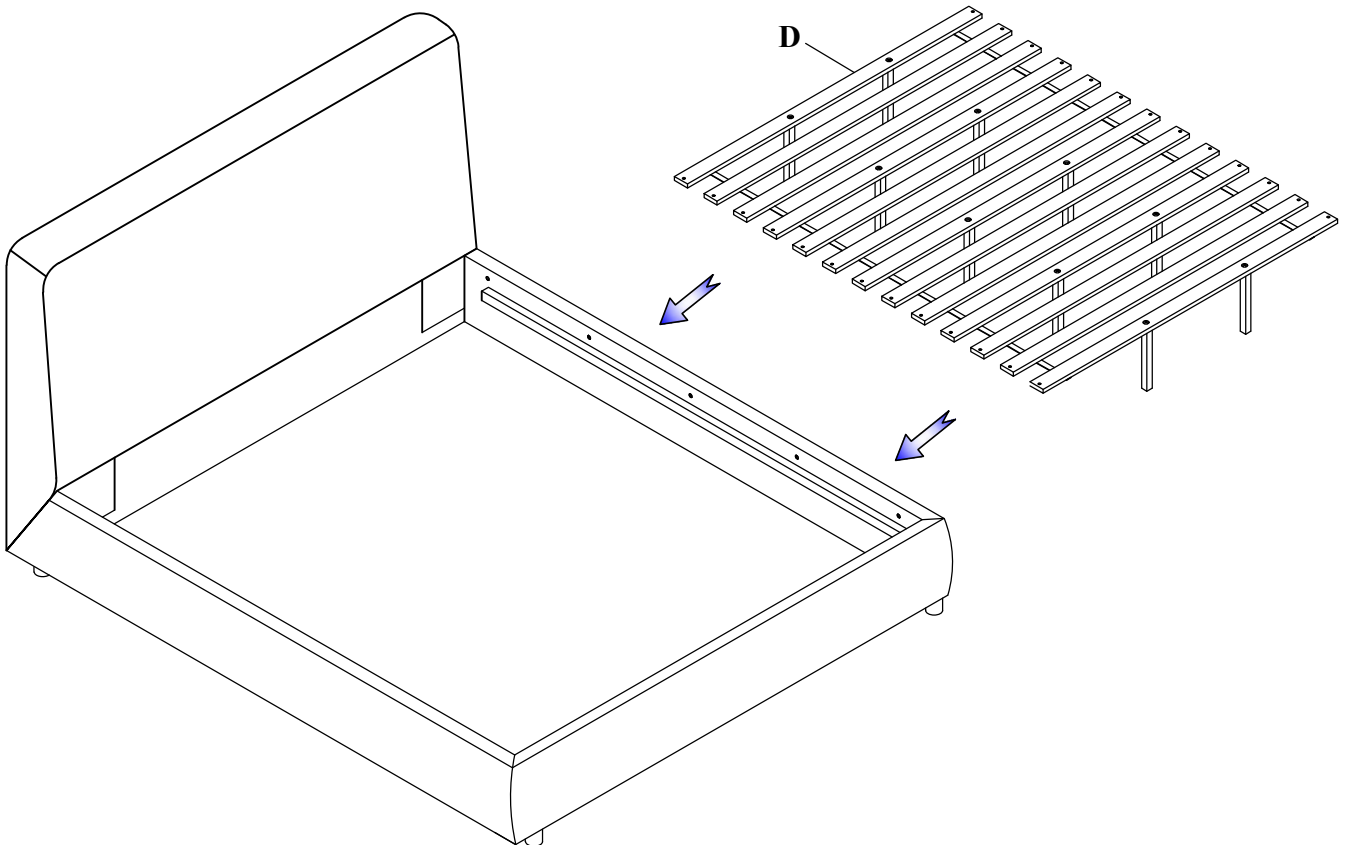
STEP 6:



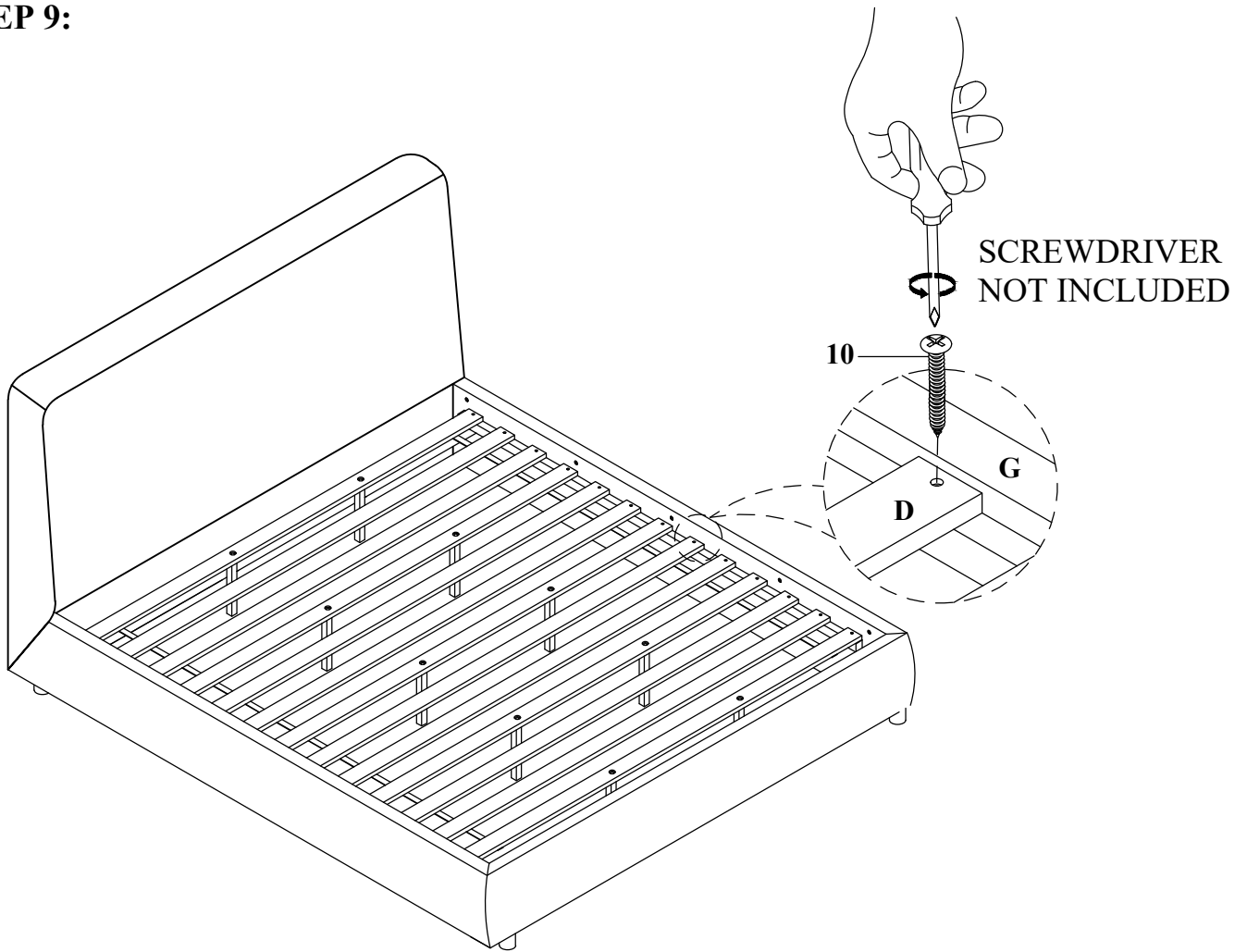
STEP 7:



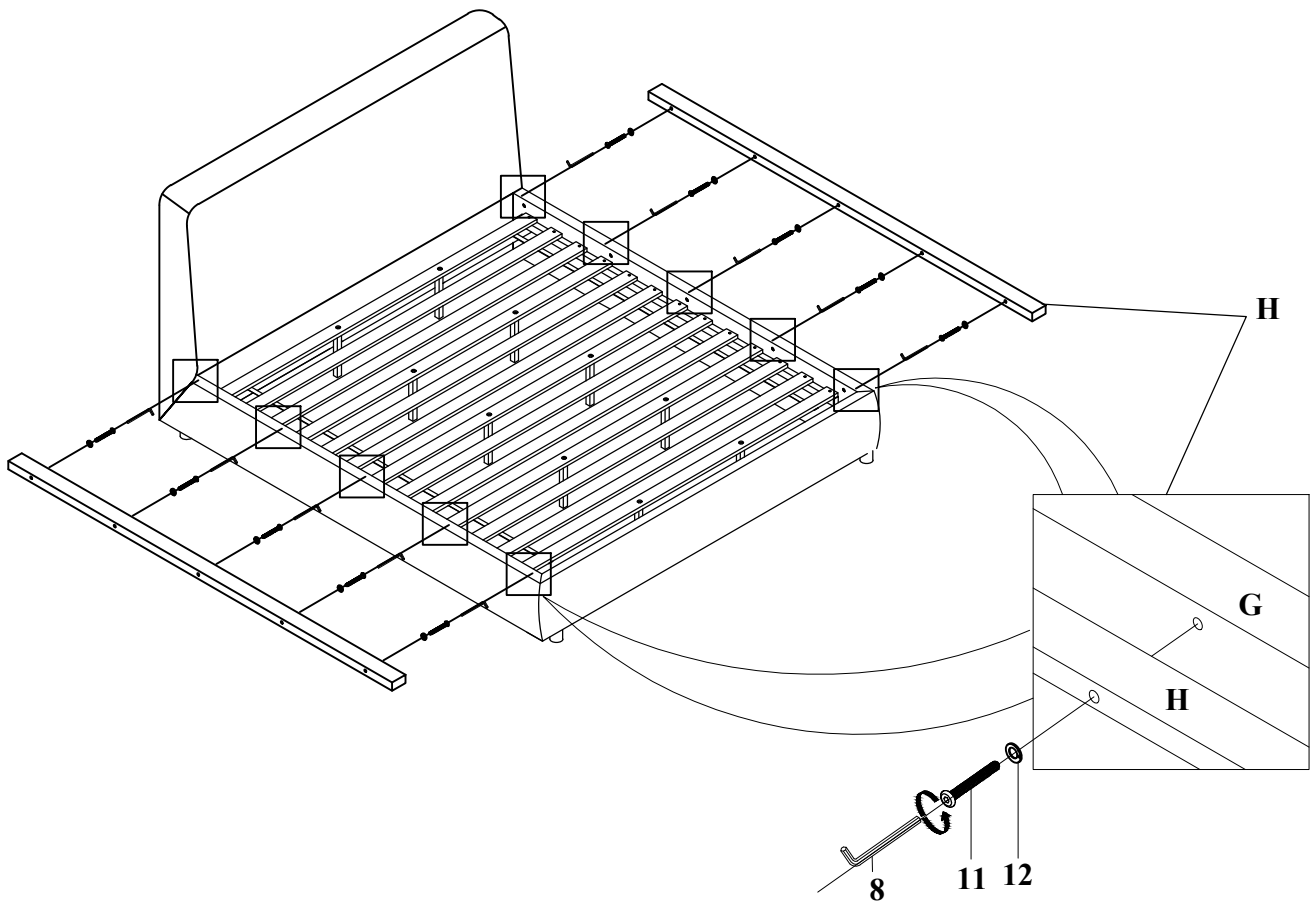
STEP 8:



STEP 9:



STEP 10:



COMPLETED

