



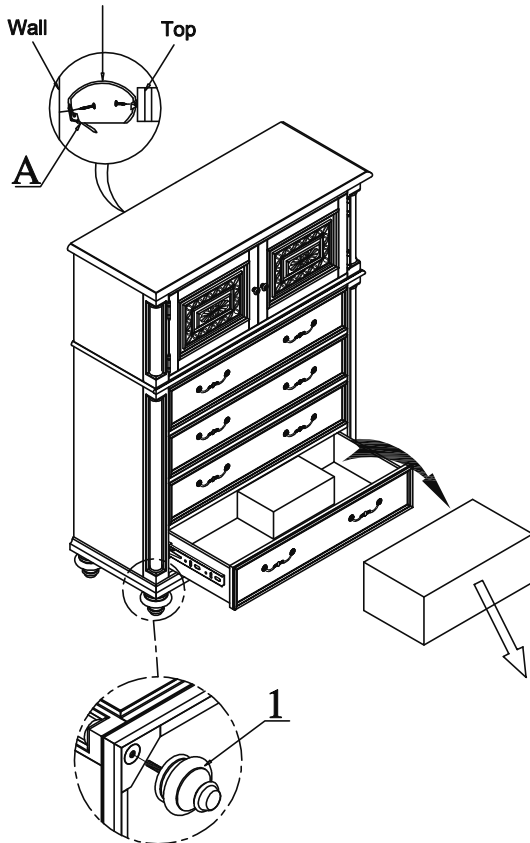
ITEM: 1693-9 CHEST

Thank you for purchasing this quality product. Be sure to check all packing material carefully for small parts which may have come loose inside the carton during shipment. Identify and count all parts and compare with the Parts List below.

! For items use on wooden floor, hard surfaces or carpets, it is recommended to Install protective pads under all legs and supports to avoid/ prevent from damages/ scratches and discoloration.

! Pour les articles Utilisés sur un plancher en bois, des surfaces dures ou tapis, il est recommandé d'installer des mordaches de protection sous tous les jambes et prend en charge pour éviter/empêcher de dommages/ rayures et la décoloration.

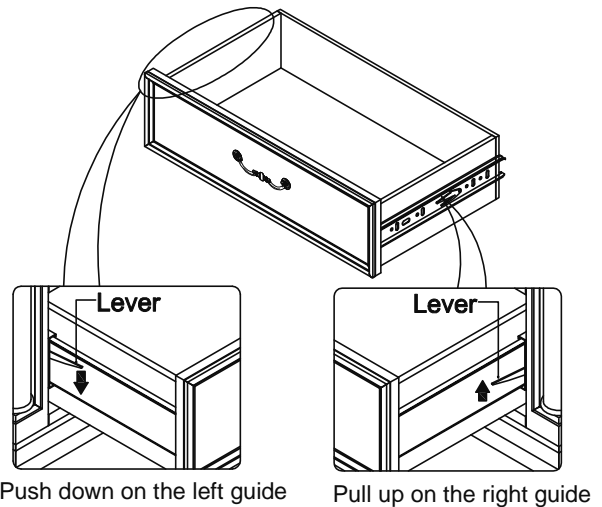
Furniture Tipping Restraint



STEP 1. ASSEMBLE THE LEGS

- pull out the box of legs from lowest drawer
- screw in the legs at the bottom of the Chest by using hand.

REMOVE/REPLACE THE DRAWERS



Push down on the left guide

Pull up on the right guide

STEP 2. Install the Furniture Tipping Restraint

- 1.Pull out the drawer until it stops.
2. Locate the locking clips near the back of each full-extension roller guide rail. Using two hands, push down on the left clip and lift up on the right clip to release the clips. Pull the drawer all the way out from the case.

MADE IN VIETNAM

PARTS LIST			
NO	DRAWING	Q' TY	DESCRIPTION
1		4	BUN FEET

A FURNITURE TIPPING RESTRAINT			
Strap	Brackets	Screw (Ø8x1")	Screw (Ø8x5/8")
1pc	2pcs	1pc	1pc