



ASSEMBLY INSTRUCTION

1610FGY-1 FULL UPH BED
1610GY-1 QUEEN UPH BED

HOMELEGANCE

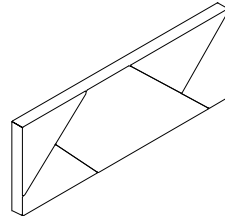
PART LIST:



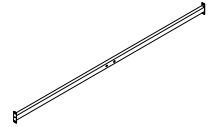
A:Left Leg
1PC



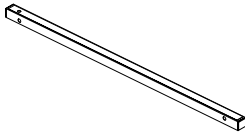
B:Right Leg
1PC



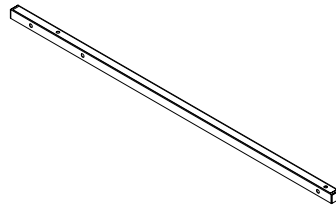
C:Headboard
1PC



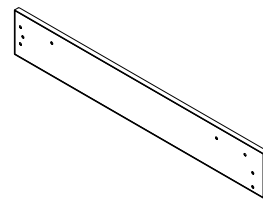
D:Headboard Stretcher
1PC



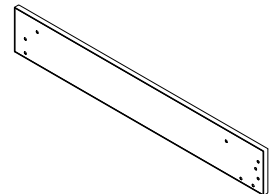
E:Rail
2PCS



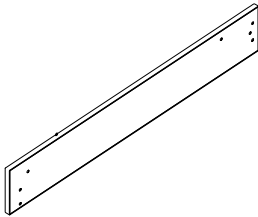
F:Rail
2PCS



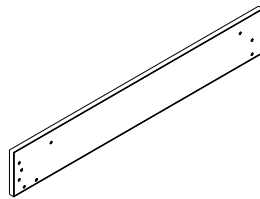
G:Side Rail
1PC



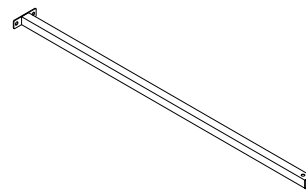
H:Side Rail
1PC



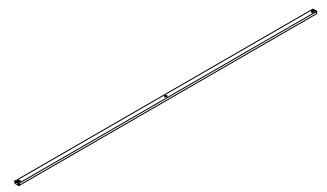
I:Side Rail
1PC



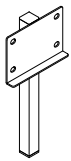
J:Side Rail
1PC



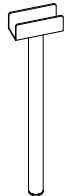
K:Center Rail- Front/Rear
2PCS



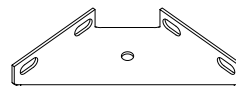
L:Center Rail
1PC



M:Rail Support Leg
2PCS



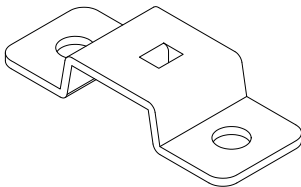
N:Center Support Leg
3PCS



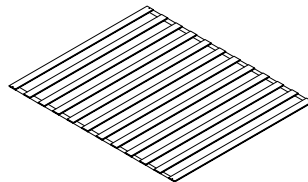
O:Bracket
2PCS



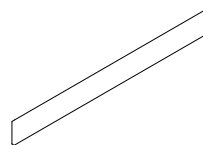
P:Leg
2PCS



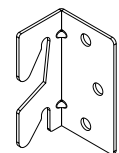
Q:Bracket
1PC



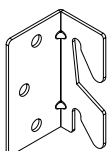
R:Slat
1PC



S:Footboard
1PC



T:Bracket
2PCS



U:Bracket
2PCS

HARDWARE LIST:



1: Bolt 1/4*19mm
X 44pcs



2: Bolt 5/16*40mm
X 4pcs



3: Bolt 1/4*35mm
X 4pcs



4: Bolt 1/4*40mm
X 12pcs



5: Bolt 1/4*30mm
X 10pcs



6: Nut 1/4
X 2pcs



7: Nut M8
X 2pcs



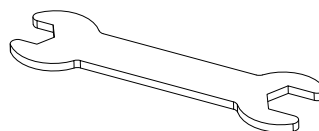
8: Washer 1/4
X 20pcs



9: Washer 5/16
X 4pcs



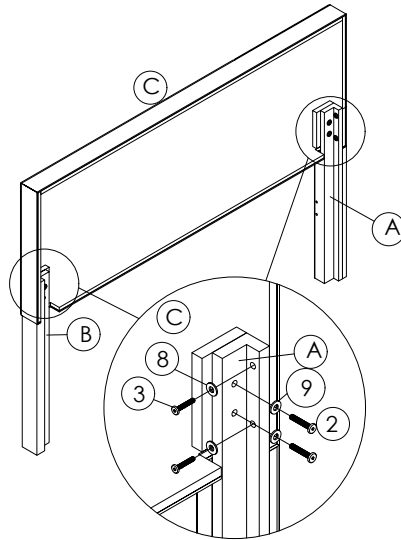
10: Allen Key
X 1pc



11: Wrench
X 1pc

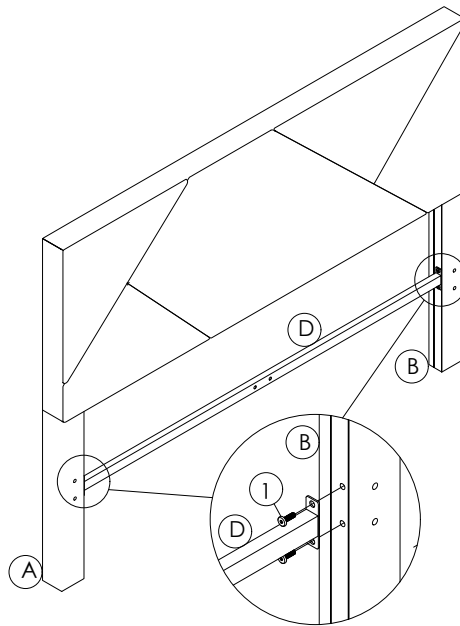
Note: Please do not tighten all bolts until the bed is assembled completely.

STEP 1



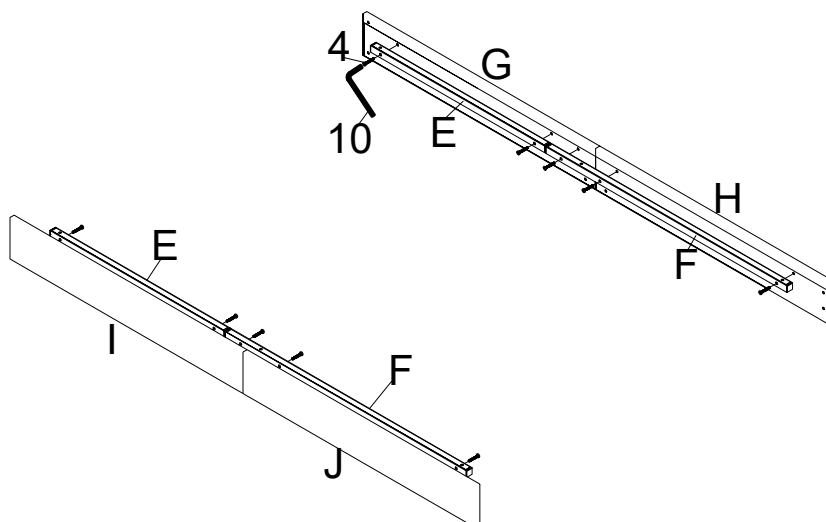
- Hardware 2: 4 pcs
- Hardware 3: 4 pcs
- Hardware 8: 4 pcs
- Hardware 9: 4 pcs

STEP 2



- Hardware 1: 4 pcs

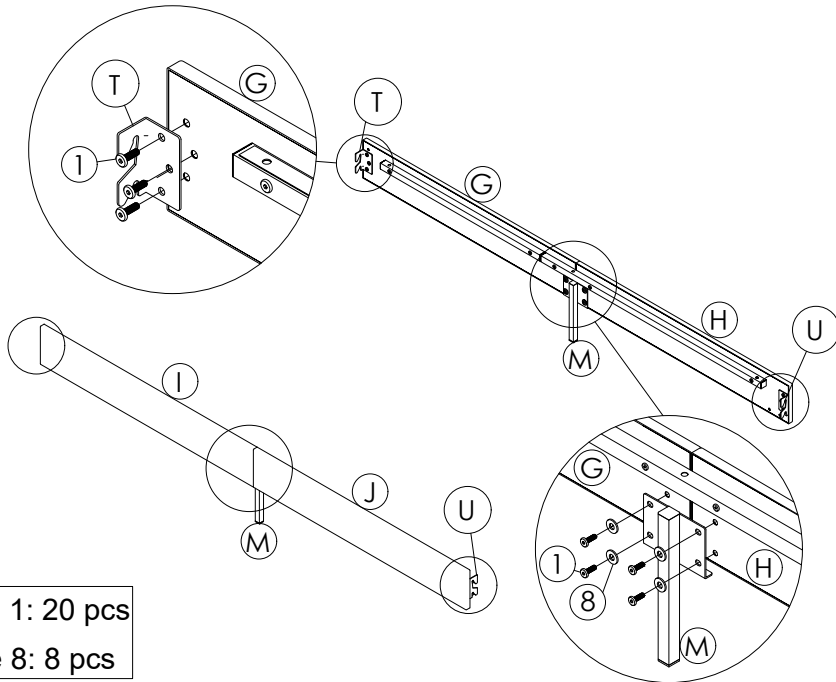
STEP 3



- Hardware 4: 10 pcs

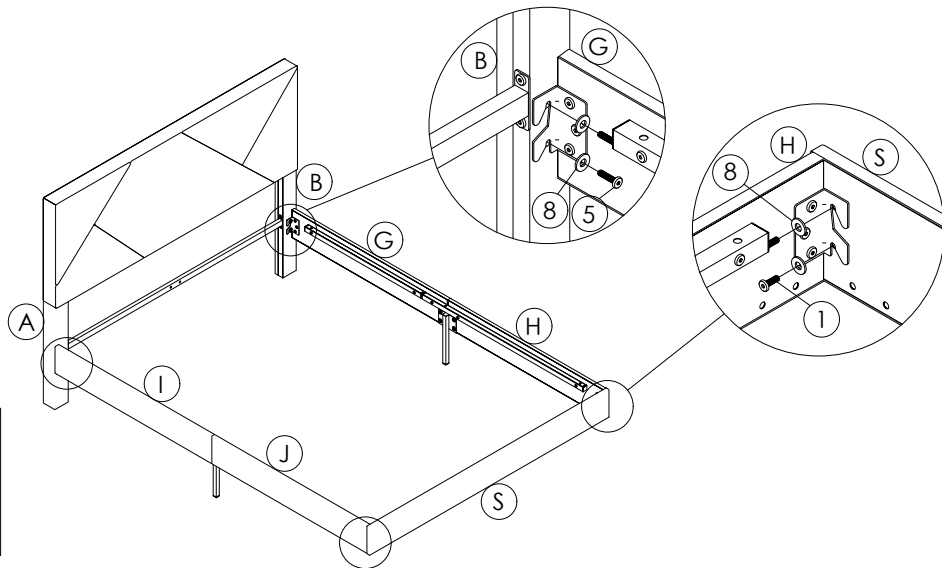
Note: Please do not tighten all bolts until the bed is assembled completely.

STEP 4



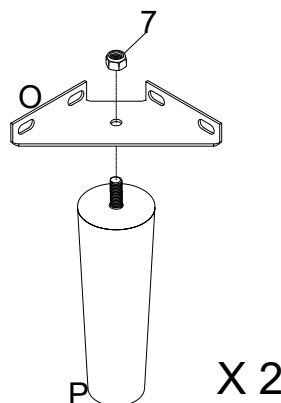
Hardware 1: 20 pcs
Hardware 8: 8 pcs

STEP 5



Hardware 1: 4 pcs
Hardware 5: 4 pcs
Hardware 8: 8 pcs

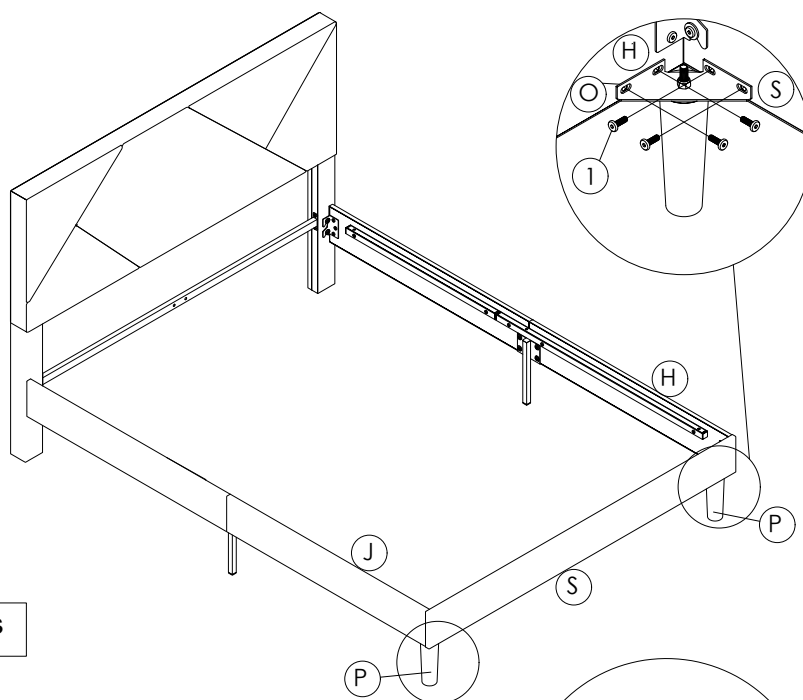
STEP 6



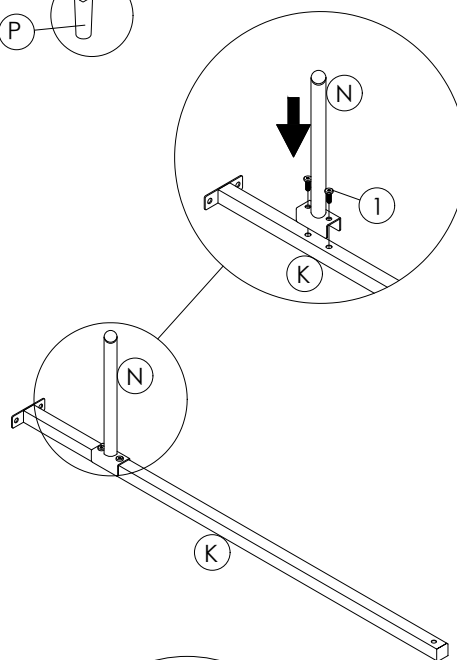
Hardware 7: 2 pcs

Note: Please do not tighten all bolts until the bed is assembled completely.

STEP 7

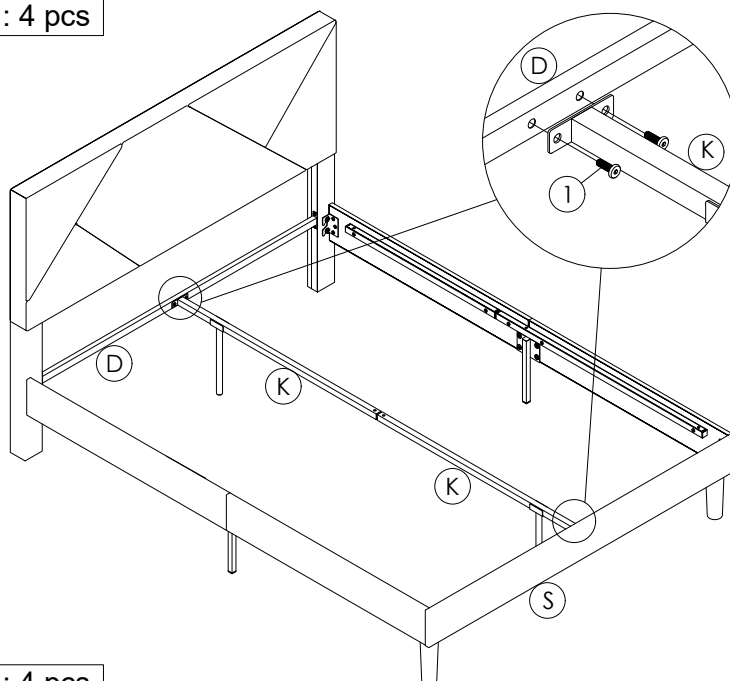


STEP 8



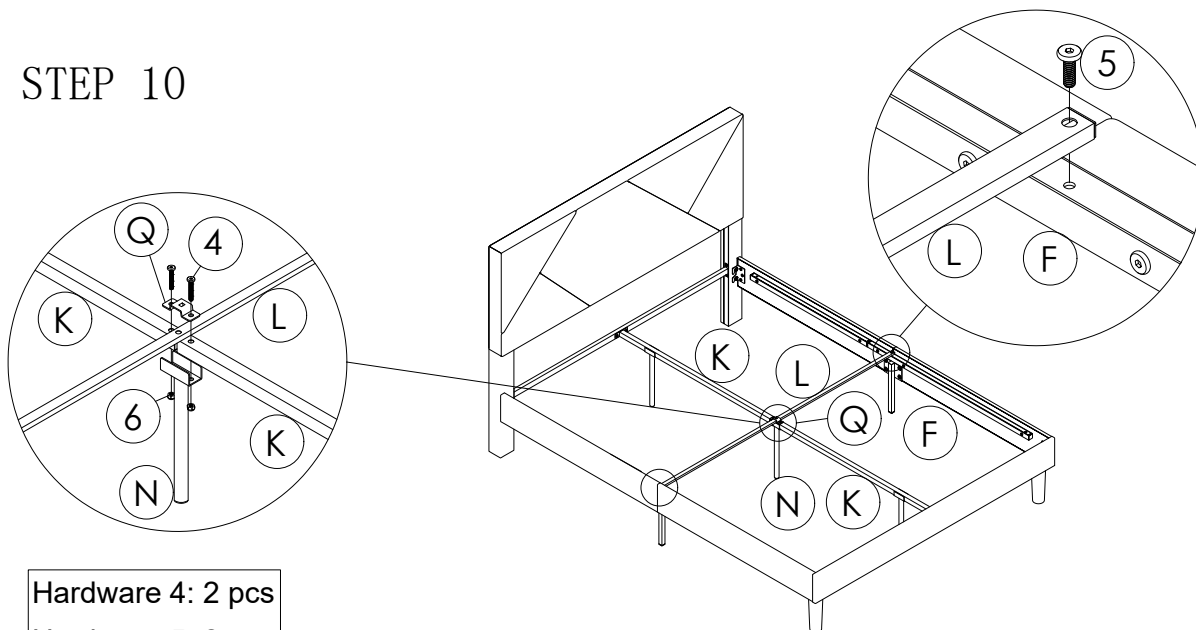
X 2

STEP 9



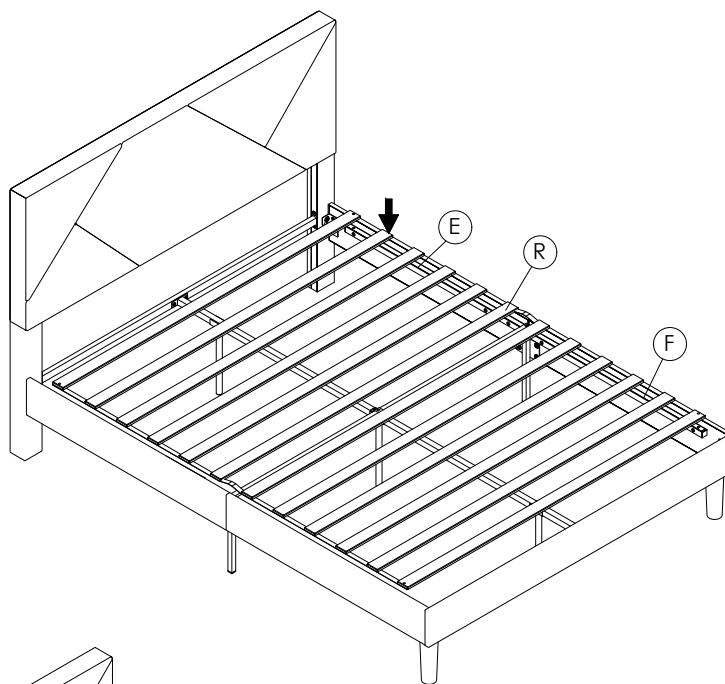
Note: Please do not tighten all bolts until the bed is assembled completely.

STEP 10

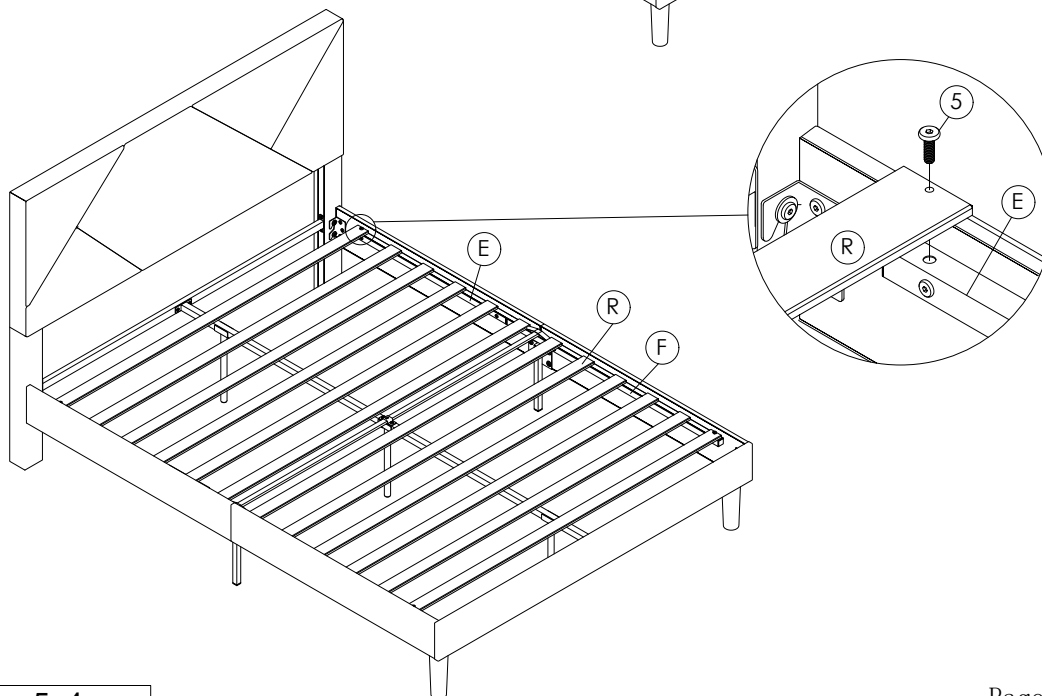


- Hardware 4: 2 pcs
- Hardware 5: 2 pcs
- Hardware 6: 2 pcs

STEP 11



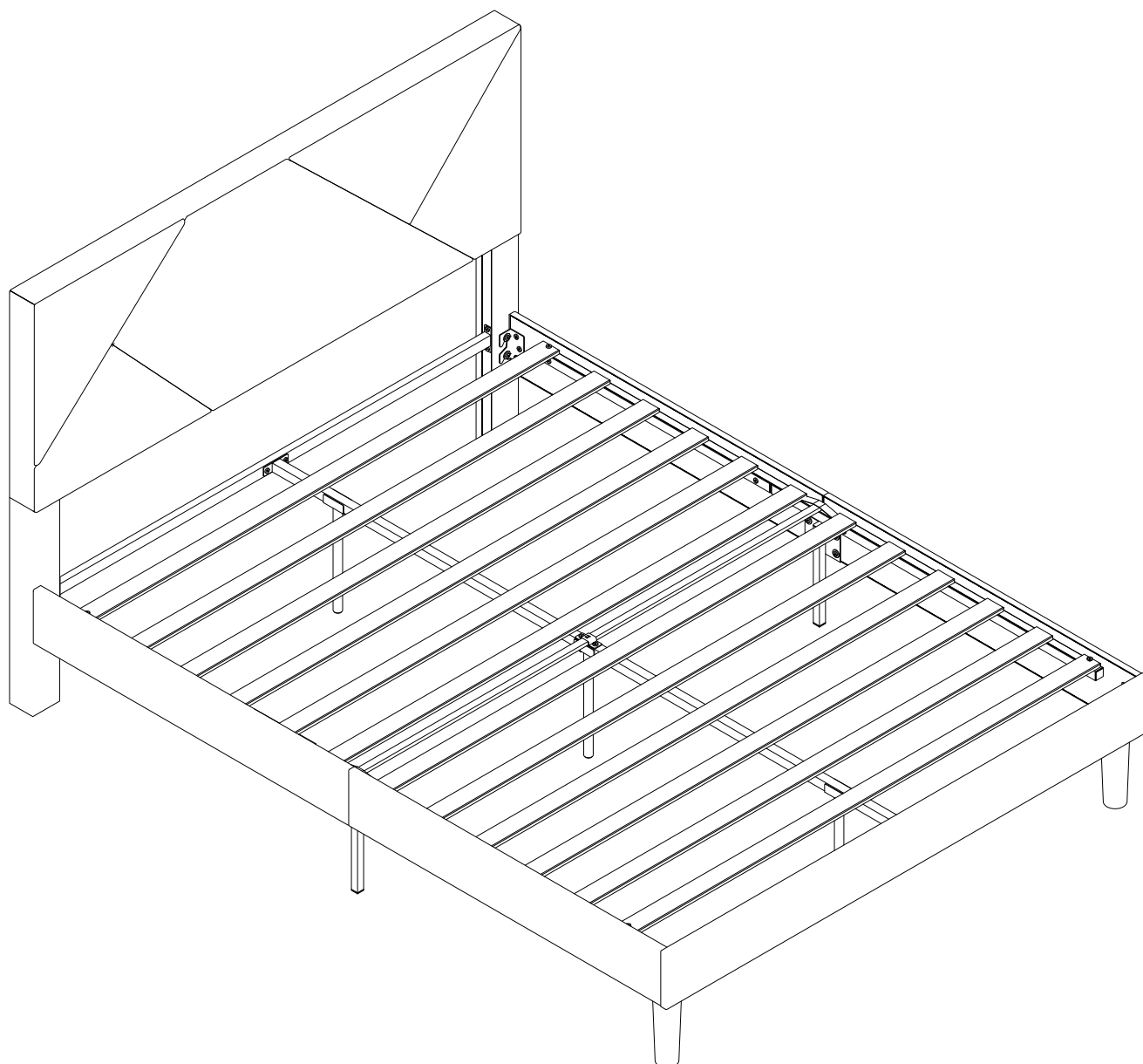
STEP 12




- Hardware 5: 4 pcs

Note: Please do not tighten all bolts until the bed is assembled completely.

COMPLETED



 For items use on wooden floor, hard surfaces or carpets, it is recommended to Install protective pads under all legs and supports to avoid/prevent from damages/scratches and discoloration.