



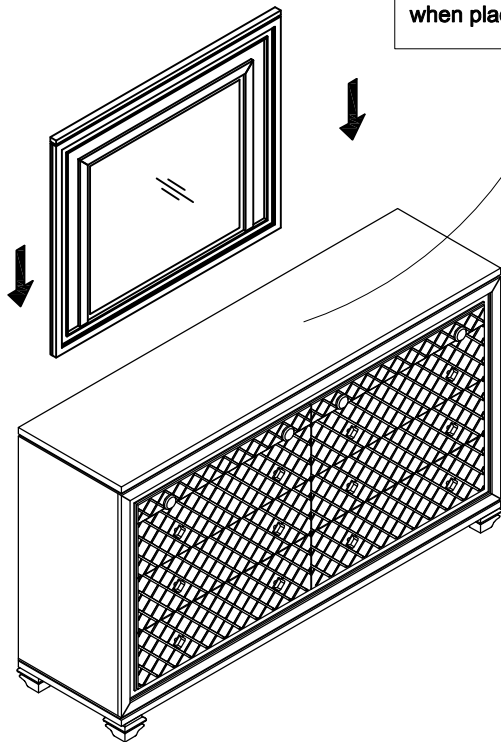
ASSEMBLY INSTRUCTION

Item No.: 1430-6 Mirror

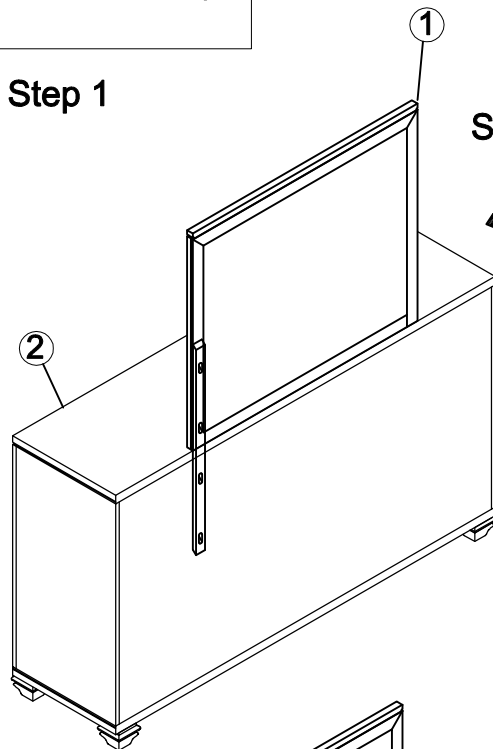
Thank you for purchasing this product. Please take time to read and follow the instructions below. Check that you have all parts and hardware before assembly. Parts apparently missing are often found in the packing materials. If you do not have all the parts listed, have your dealer contact us and they will be sent to you immediately.

⚠ It is recommended to install protective pads under all legs and supports to avoid damage or scratches when placing furniture on a wood floor or other hard surface, and to limit indentation and prevent discoloration if placing on carpet.

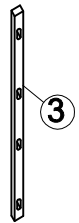
★ Remark : there is a tip restraint kit provided on the back of this product. Please read the directions thoroughly and install immediately when placed in home.



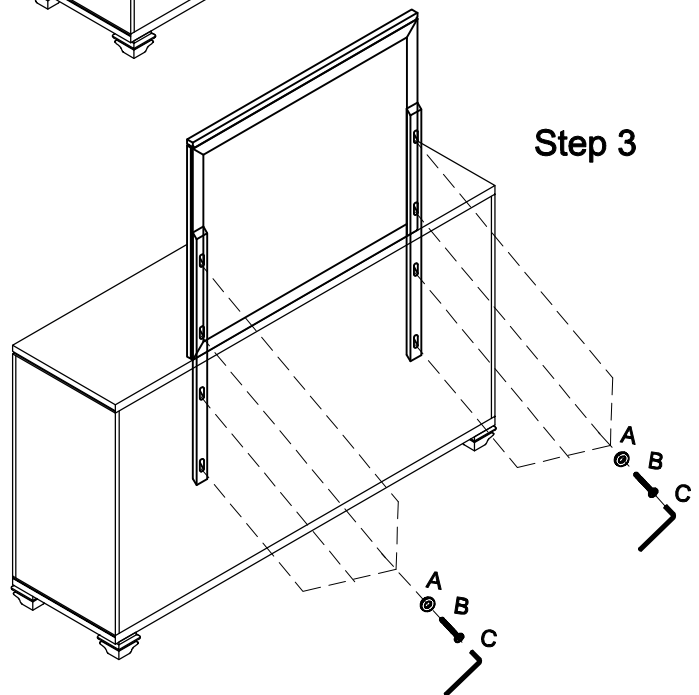
Step 1



Step 2



Step 3



Part List

NO.	DESCRIPTION	Q'TY
1	Mirror	1PC
2	Dresser	1PC
3	Mirror Support Rail	2PCS

Hardware List

NO.	DESCRIPTION	FIGURE	Q'TY
A	Flat washer(Ø5/16**Ø3/4")	⊙	4PCS
B	Bolt (Ø5/16**1-3/8")	⊗	4PCS
C	Allen Key	L	1PC