



## ASSEMBLY INSTRUCTIONS

ITEM NO: 1316K-1 EK Headboard & Posts & Short Canopy

1316K-2 EK Footboard & Posts & Short Canopy & Slat Roll

1316-3 QN/EK Side Rails & Long Canopy

**Thank you for purchasing this quality product. Be sure to check all packing material carefully for small parts that may have come loose inside the carton during shipment.**



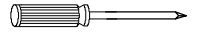
For items use on wooden floor, hard surfaces or carpets, it is recommended to install protective pads under all legs and supports to avoid/ prevent from damages/ scratches and discoloration.



Hardware may loosen over time, periodically check to make sure all connection are tight. Re-tighten if necessary.

**TOOLS REQUIRED (NOT PROVIDED)**

**PHILLIPS SCREWDRIVER**



### HEADBOARD BOX : 1316K-1

| LIST OF HARDWARE |             |                                    |                   | LIST OF PARTS |     |             |         |       |
|------------------|-------------|------------------------------------|-------------------|---------------|-----|-------------|---------|-------|
| No.              | Description |                                    |                   | Q'ty          | No. | Description | Picture | Q'ty  |
| A                |             | Allen Bolt                         | Ø1/4" - 20x2-3/8" | 8 Pcs         | 1   | Headboard   |         | 1 Pc  |
| B                |             | Spring Washer                      | Ø1/4"             | 8 Pcs         |     |             |         |       |
| C                |             | Flat Washer                        | Ø1/4" x 3/4"      | 8 Pcs         |     |             |         |       |
| D                |             | Allen Key                          | M4                | 1 Pc          |     |             |         |       |
| 2                |             | Headboard Cap Canopy(Left & Right) |                   |               |     |             |         | 2 Pcs |
| 3                |             | Headboard Cap (Left & Right)       |                   |               |     |             |         | 2 Pcs |
| 4                |             | Short Canopy Headboard             |                   |               |     |             |         | 1 Pc  |

### FOOTBOARD BOX : 1316K-2

| LIST OF HARDWARE |             |                                    |                   | LIST OF PARTS |     |             |         |               |
|------------------|-------------|------------------------------------|-------------------|---------------|-----|-------------|---------|---------------|
| No.              | Description |                                    |                   | Q'ty          | No. | Description | Picture | Q'ty          |
| A                |             | Allen Bolt                         | Ø1/4" - 20x2-3/8" | 8 Pcs         | 5   | Footboard   |         | 1 Pc          |
| B                |             | Spring Washer                      | Ø1/4"             | 8 Pcs         |     |             |         |               |
| C                |             | Flat Washer                        | Ø1/4" x 3/4"      | 8 Pcs         |     |             |         |               |
| D                |             | Allen Key                          | M4                | 1 Pc          |     |             |         |               |
| E                |             | Screw                              | M4 x 1-1/4"       | 30 Pcs        |     |             |         |               |
| 6                |             | Footboard Cap Canopy(Left & Right) |                   |               |     |             |         | 2 Pcs         |
| 7                |             | Footboard Cap (Left & Right)       |                   |               |     |             |         | 2 Pcs         |
| 8                |             | Short Canopy Footboard             |                   |               |     |             |         | 1 Pc          |
| 9                |             | Slats                              |                   |               |     |             |         | 14Pcs/<br>Set |
| 10               |             | Slat Support Leg                   |                   |               |     |             |         | 3 Pcs         |

### SIDE RAIL BOX : 1316-3

| LIST OF HARDWARE |             |               |                   | LIST OF PARTS |     |                           |         |       |
|------------------|-------------|---------------|-------------------|---------------|-----|---------------------------|---------|-------|
| No.              | Description |               |                   | Q'ty          | No. | Description               | Picture | Q'ty  |
| A                |             | Allen Bolt    | Ø1/4" - 20x2-3/8" | 4 Pcs         | 11  | Side Rail                 |         | 2 Pcs |
| B                |             | Spring Washer | Ø1/4"             | 4 Pcs         |     |                           |         |       |
| C                |             | Flat Washer   | Ø1/4" x 3/4"      | 4 Pcs         |     |                           |         |       |
| D                |             | Allen Key     | M4                | 1 Pc          | 12  | Long Canopy Bed Side Rail |         | 2 Pcs |
| F                |             | Hanger Bolt   | Ø5/16" -18x3-1/2" | 8 Pcs         |     |                           |         |       |
| G                |             | Hexagon Nut   | Ø5/16"            | 8 Pcs         | 13  | Center Slat Support       |         | 1 Pc  |
| H                |             | Spring washer | Ø5/16"            | 8 Pcs         |     |                           |         |       |
| I                |             | Flat washer   | Ø5/16" x 1/2"     | 8 Pcs         |     |                           |         |       |
| K                |             | Wrench        | 1/2"              | 1 Pc          |     |                           |         |       |




## ASSEMBLY INSTRUCTIONS


ITEM NO: 1316K-1 EK Headboard & Posts & Short Canopy

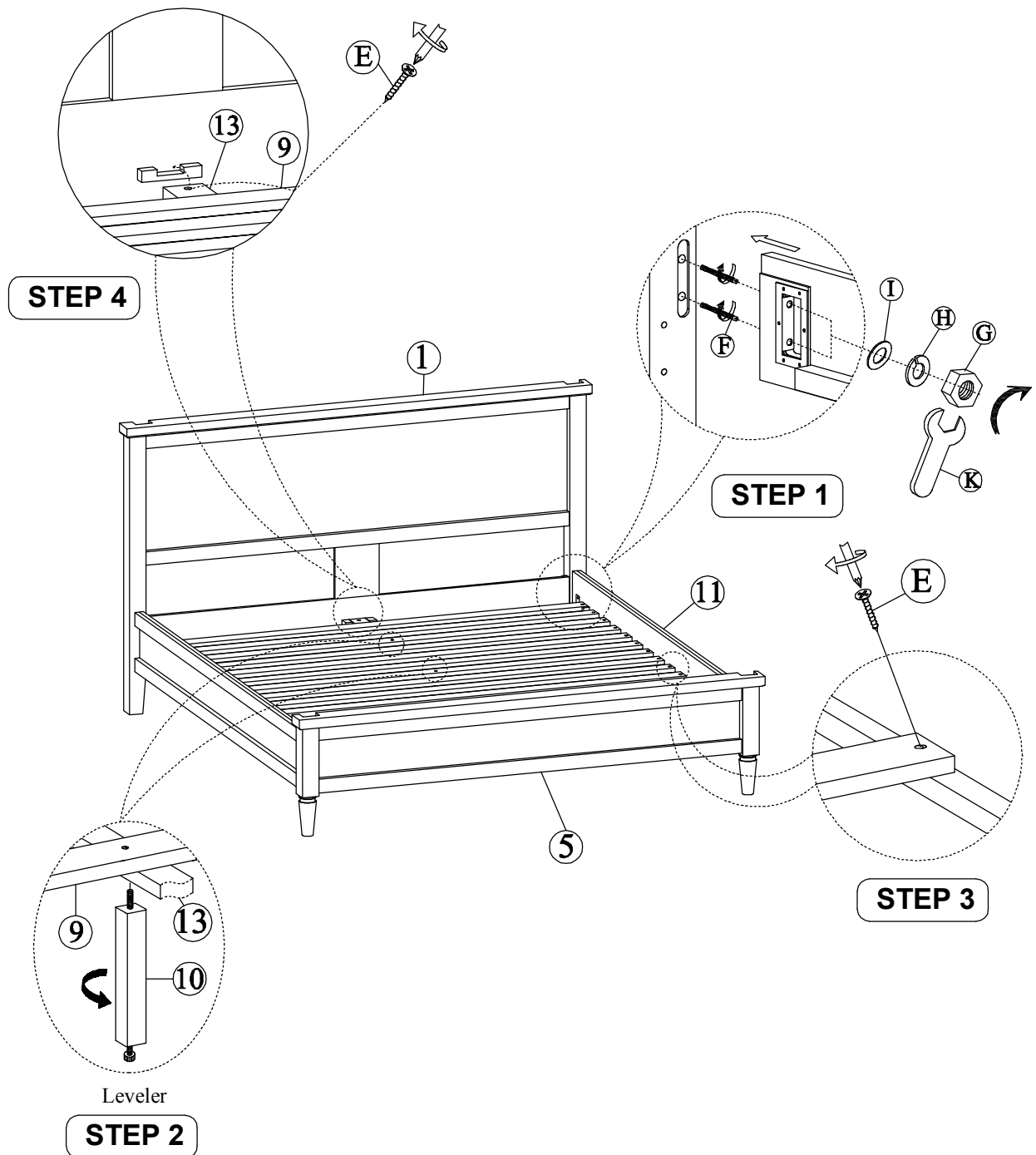
1316K-2 EK Footboard & Posts & Short Canopy & Slat Roll

1316-3 QN/EK Side Rails & Long Canopy

Thank you for purchasing this quality product. Be sure to check all packing material carefully for small parts that may have come loose inside the carton during shipment.

 For items use on wooden floor, hard surfaces or carpets, it is recommended to install protective pads under all legs and supports to avoid/ prevent from damages/ scratches and discoloration.

 Hardware may loosen over time, periodically check to make sure all connection are tight. Re-tighten if necessary.






## ASSEMBLY INSTRUCTIONS


ITEM NO: 1316K-1 EK Headboard & Posts & Short Canopy

1316K-2 EK Footboard & Posts & Short Canopy & Slat Roll

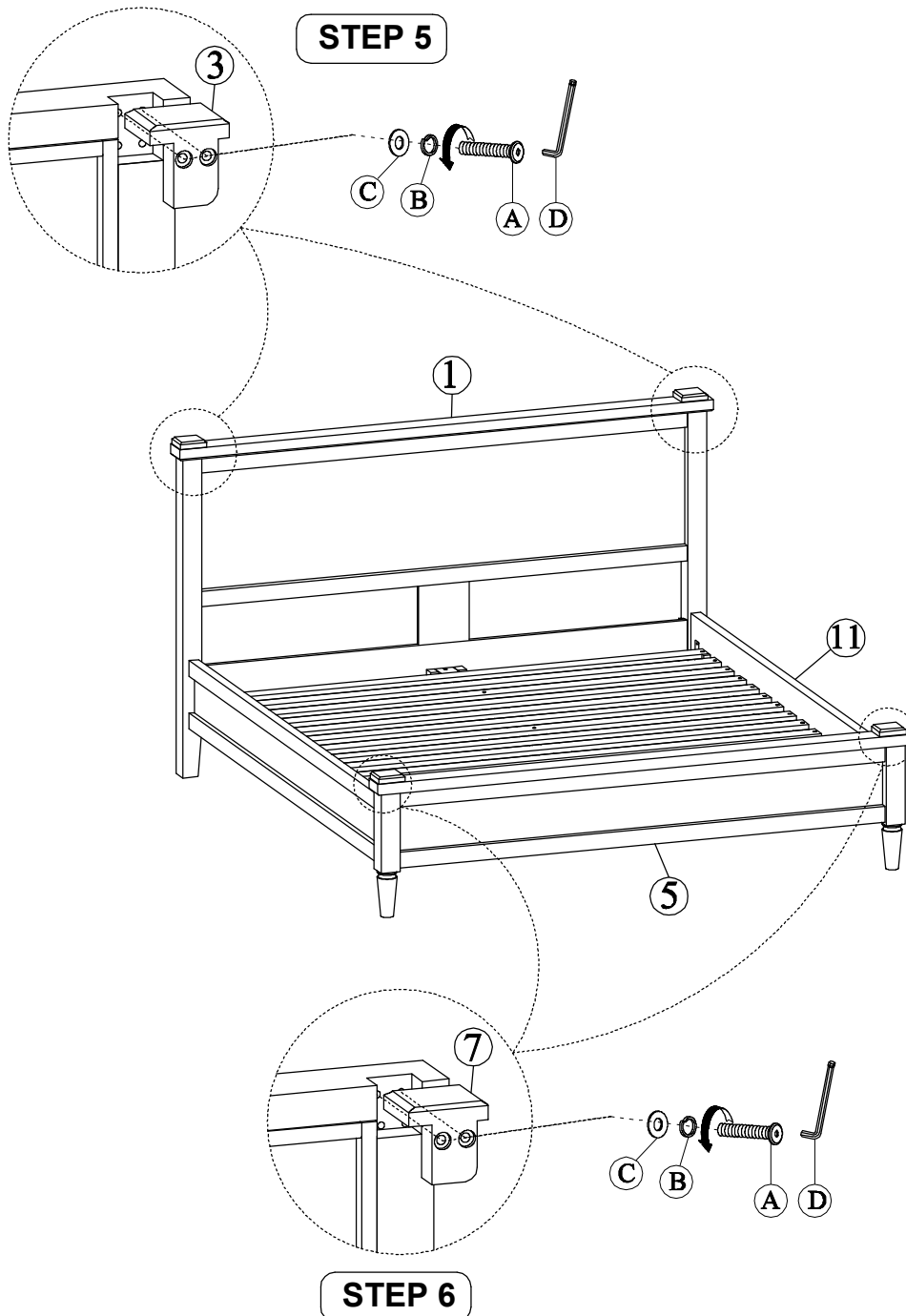
1316-3 QN/EK Side Rails & Long Canopy

Thank you for purchasing this quality product. Be sure to check all packing material carefully for small parts that may have come loose inside the carton during shipment.

 For items use on wooden floor, hard surfaces or carpets, it is recommended to install protective pads under all legs and supports to avoid/ prevent from damages/ scratches and discoloration.

 Hardware may loosen over time, periodically check to make sure all connection are tight. Re-tighten if necessary.

### OPTION - 1 : Assembly King Bed with Cap at top






# ASSEMBLY INSTRUCTIONS


ITEM NO: 1316K-1 EK Headboard & Posts & Short Canopy

1316K-2 EK Footboard & Posts & Short Canopy & Slat Roll

1316-3 QN/EK Side Rails & Long Canopy

Thank you for purchasing this quality product. Be sure to check all packing material carefully for small parts that may have come loose inside the carton during shipment.

 For items use on wooden floor, hard surfaces or carpets, it is recommended to install protective pads under all legs and supports to avoid/ prevent from damages/ scratches and discoloration.

 Hardware may loosen over time, periodically check to make sure all connection are tight. Re-tighten if necessary.

## OPTION - 2 : Assembly King Bed with Cap Canopy at top

