



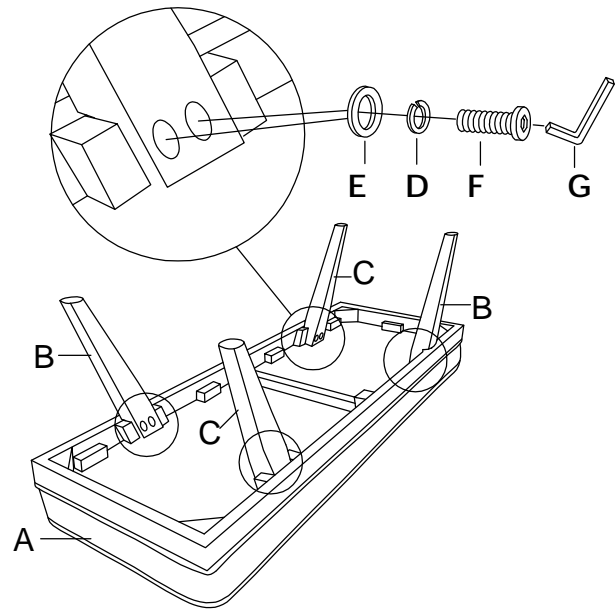
# ASSEMBLY INSTRUCTION

Item No:4692-13

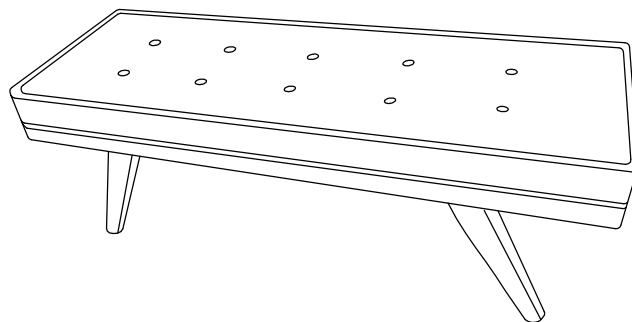
Bench

No	DESCRIPTION	Q'TY
A	BENCH SEAT CUSHION WITH FRAME	1PC
B	LEFT LEG	2PCS
C	RIGHT LEG	2PCS
D	LOCK WASHER ø5/16"	8PCS
E	FLAT WASHER ø5/16"	8PCS
F	BOLT ø5/16"X2-1/4"	8PCS
G	ALLEN KEY ø5/16"	1PC

STEP 1:



STEP 2:Completed



**DO NOT TIGHTEN BOLTS UNTIL COMPLETELY ASSEMBLED**



For items use on wooden floor, hard surfaces or carpets, it is recommended to Install protective pads under all legs and supports to avoid/prevent from damages/scratches and discoloration.