

# ASSEMBLY INSTRUCTION

GROUP NO.: 5876 BED

ITEM NO.: 5876FBE-1 / 5876FBR-1 / 5876FGY-1 FULL HEADBOARD

5876BE-1 / 5876BR-1 / 5876GY-1 QUEEN HEADBOARD

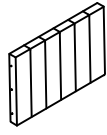
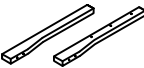
5876KBE-1 / 5876KBR-1 / 5876KGY-1 EK / CK HEADBOARD

Thank you for purchasing this product. Please take time to read and follow the instructions below. Check that you have all parts and hardware before assembly. Parts apparently missing are often found in the packing materials. If you do not have all the parts listed, have your dealer contact us and they be sent to you immediately.







It is recommended to install protective pads under all legs and support to avoid damage or scratches when placing furniture on a wood floor or other hard surface, and to limit indentation and prevent discoloration if placing on carpet.

## PARTS LIST

No.	Description	Sketch	QTY
A	Headboard		1PC
B	HB Post Leg - L&R		2 PCS

## HARDWARE LIST

No.	Description	Sketch	Size	QTY
1	Allen Bolt		Ø5/16" x 38mm	6 PCS
2	Spring Washer		Ø5/16"	6 PCS
3	Flat Washer		Ø5/16" x 19mm	6 PCS
4	Allen Key		4 x 60mm	1 PC

### STEP 1 :

