

ASSEMBLY INSTRUCTION

GROUP NO.: 5876 FULL / QUEEN / EK BED

ITEM NO.: 5876FBE-1 / 5876FBR-1 / 5876FGY-1 FULL HEADBOARD

5876F-2DW FULL STORAGE DRAWER

5876FBE-3 / 5876FBR-3 / 5876FGY-3 FULL FOOTBOARD & SIDE RAILS,SLATS

5876BE-1 / 5876BR-1 / 5876GY-1 QUEEN HEADBOARD

5876-2DW QUEEN STORAGE DRAWER

5876BE-3 / 5876BR-3 / 5876GY-3 QUEEN FOOTBOARD & SIDE RAILS,SLATS

5876KBE-1 / 5876KBR-1 / 5876KGY-1 EK / CK HEADBOARD

5876K-2DW EK / CK STORAGE DRAWER

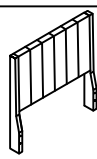
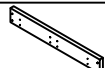


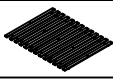

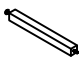


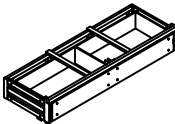
5876KBE-3EK / 5876KBR-3EK / 5876KGY-3EK EK FOOTBOARD & SIDE RAILS,SLATS

Thank you for purchasing this product. Please take time to read and follow the instructions below. Check that you have all parts and hardware before assembly. Parts apparently missing are often found in the packing materials. If you do not have all the parts listed, have your dealer contact us and they be sent to you immediately.



















It is recommended to install protective pads under all legs and support to avoid damage or scratches when placing furniture on a wood floor or other hard surface, and to limit Indentation and prevent discoloration if placing on carpet.

PARTS LIST

No.	Description	Sketch	QTY
A	Headboard		1PC
B	Footboard		1 PC
C	Side Rail - L & R		2PCS
D	Center Slat Support		1 PC
E	Slat Roll 13pcs/set		1 SET
F	Bun Foot		2 PCS
G	Slat Support Leg (267mmL)		4 PCS
H	Slat Support Leg (70mmL)		2 PCS
I	Slat Support Leg (51mmL)		2 PCS
J	Tail - Drawer Frame		1 PC

HARDWARE LIST

No.	Description	Sketch	Size	QTY
1	Allen Bolt		Ø1/4" x 63mm	2 PCS
2	Allen Bolt		Ø1/4" x 38mm	8 PCS
3	Allen Bolt		Ø1/4" x 32mm	13 PCS
4	Spring Washer		Ø1/4"	23 PCS
5	Flat Washer		Ø1/4" x 19mm	23 PCS
6	Allen Key		4 x 60mm	1 PC
7	Thread Bold		Ø5/16"*80mm	8 PCS
8	Curve Washer			8 PCS
9	Hex Nut			8 PCS
10	Open Wrench			1 PC
11	Screw		#4 x 30mm	26 PCS
12	Screw		#4 x 20mm	2 PCS
13	Allen Bolt		Ø1/4" x 19mm	4 PCS
14	Castor			1 PC
15	Plastic Cap			4 PCS
16	Wood Dowel			2 PCS

**ABOVE HARDWARE ARE PACKED IN BOX-2DW & Box - 3 FOR ASSEMBLY



ASSEMBLY INSTRUCTION

GROUP NO.: 5876 FULL / QUEEN / EK BED

ITEM NO.: 5876FBE-1 / 5876FBR-1 / 5876FGY-1 FULL HEADBOARD

5876F-2DW FULL STORAGE DRAWER

5876FBE-3 / 5876FBR-3 / 5876FGY-3 FULL FOOTBOARD & SIDE RAILS,SLATS

5876BE-1 / 5876BR-1 / 5876GY-1 QUEEN HEADBOARD

5876-2DW QUEEN STORAGE DRAWER

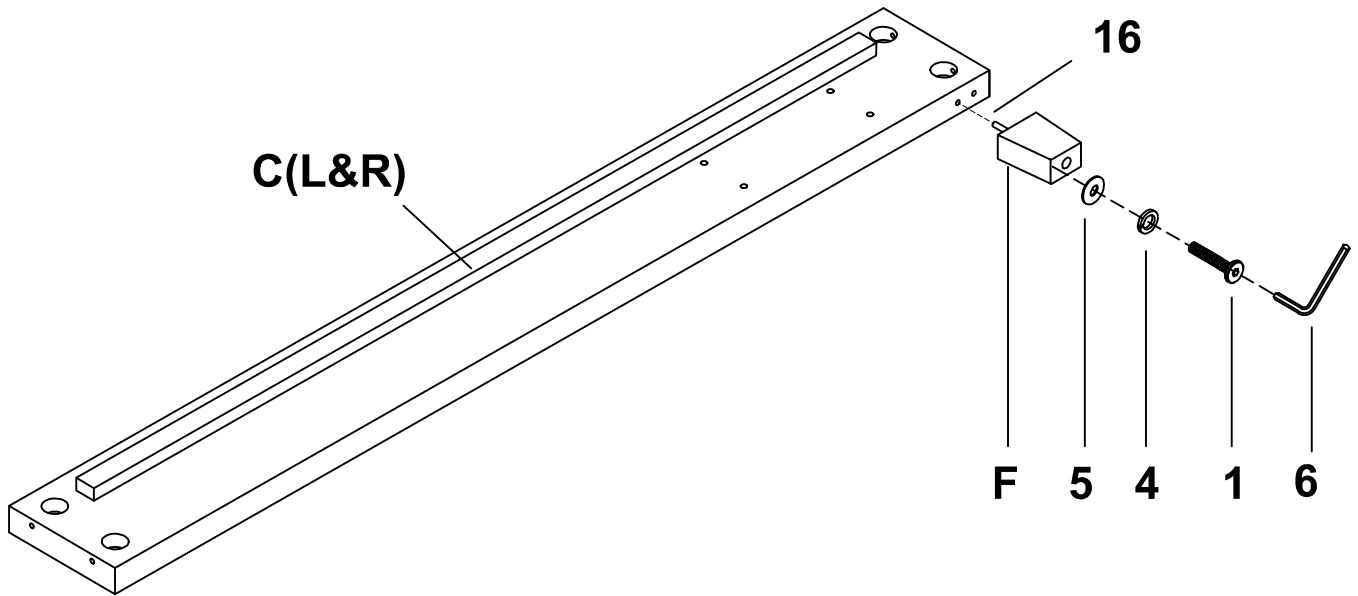
5876BE-3 / 5876BR-3 / 5876GY-3 QUEEN FOOTBOARD & SIDE RAILS,SLATS

5876KBE-1 / 5876KBR-1 / 5876KGY-1 EK / CK HEADBOARD

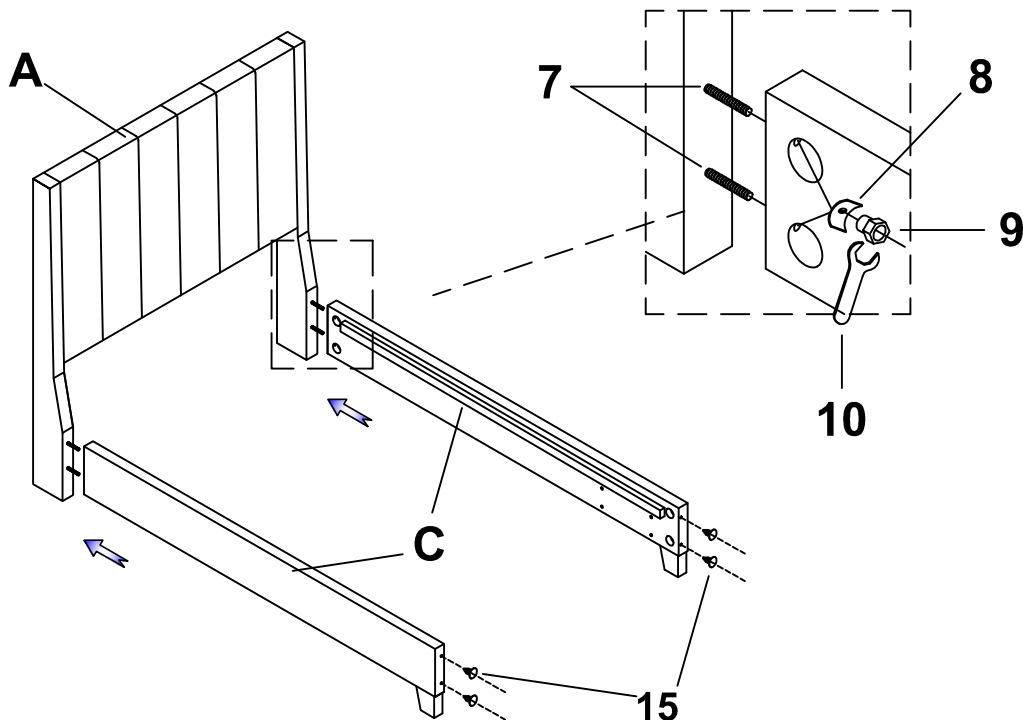
5876K-2DW EK / CK STORAGE DRAWER

5876KBE-3EK / 5876KBR-3EK / 5876KGY-3EK EK FOOTBOARD & SIDE RAILS,SLATS

STEP 1:



STEP 2:





ASSEMBLY INSTRUCTION

GROUP NO.: 5876 FULL / QUEEN / EK BED

ITEM NO.: 5876FBE-1 / 5876FBR-1 / 5876FGY-1 FULL HEADBOARD

5876F-2DW FULL STORAGE DRAWER

5876FBE-3 / 5876FBR-3 / 5876FGY-3 FULL FOOTBOARD & SIDE RAILS,SLATS

5876BE-1 / 5876BR-1 / 5876GY-1 QUEEN HEADBOARD

5876-2DW QUEEN STORAGE DRAWER

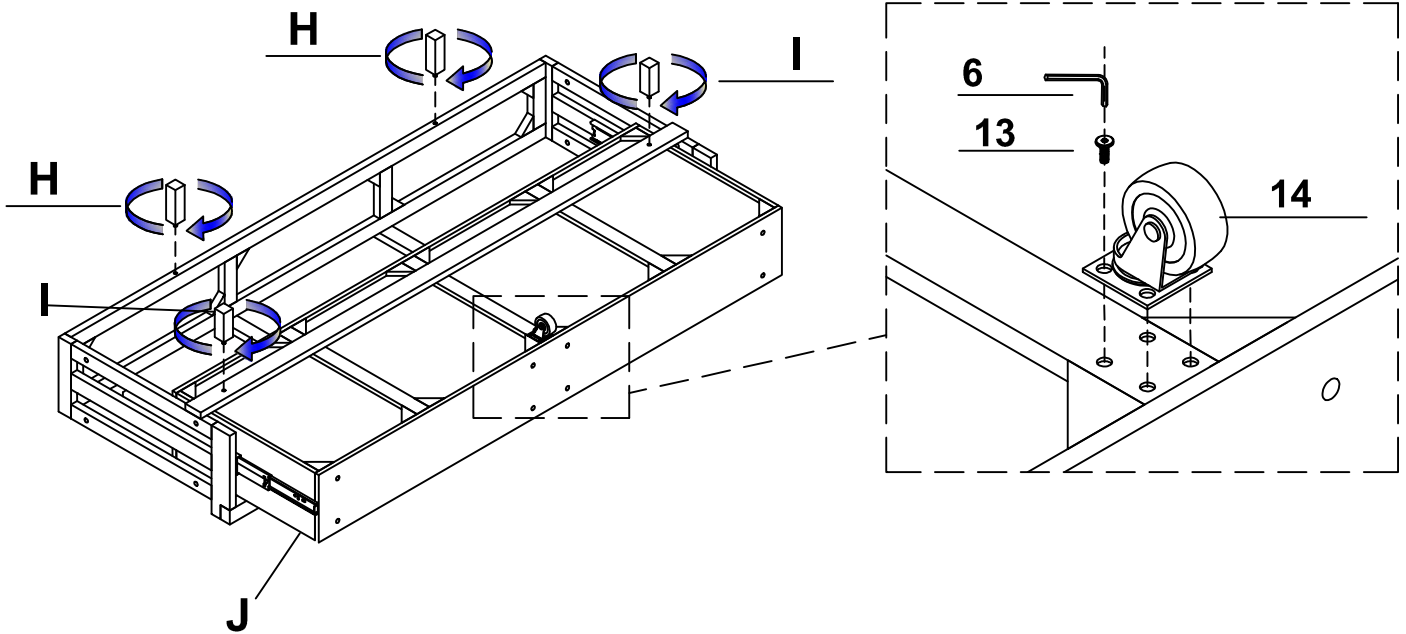
5876BE-3 / 5876BR-3 / 5876GY-3 QUEEN FOOTBOARD & SIDE RAILS,SLATS

5876KBE-1 / 5876KBR-1 / 5876KGY-1 EK / CK HEADBOARD

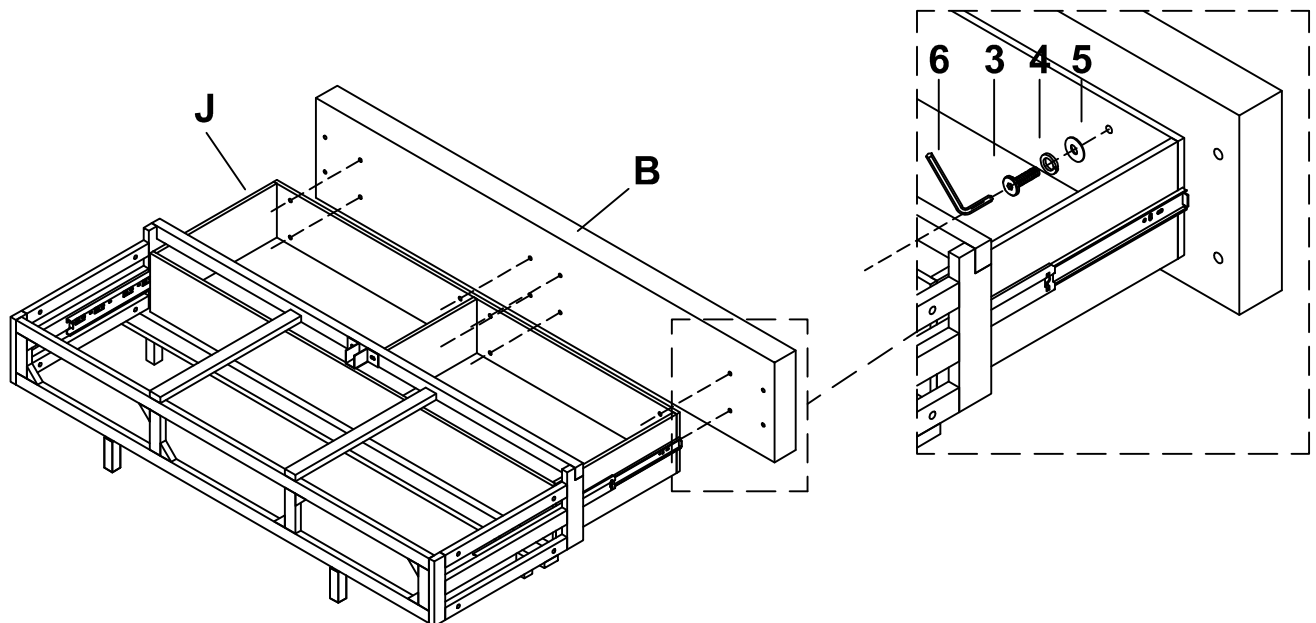
5876K-2DW EK / CK STORAGE DRAWER

5876KBE-3EK / 5876KBR-3EK / 5876KGY-3EK EK FOOTBOARD & SIDE RAILS,SLATS

STEP 3:



STEP 4:





ASSEMBLY INSTRUCTION

GROUP NO.: 5876 FULL / QUEEN / EK BED

ITEM NO.: 5876FBE-1 / 5876FBR-1 / 5876FGY-1 FULL HEADBOARD

5876F-2DW FULL STORAGE DRAWER

5876FBE-3 / 5876FBR-3 / 5876FGY-3 FULL FOOTBOARD & SIDE RAILS, SLATS

5876BE-1 / 5876BR-1 / 5876GY-1 QUEEN HEADBOARD

5876-2DW QUEEN STORAGE DRAWER

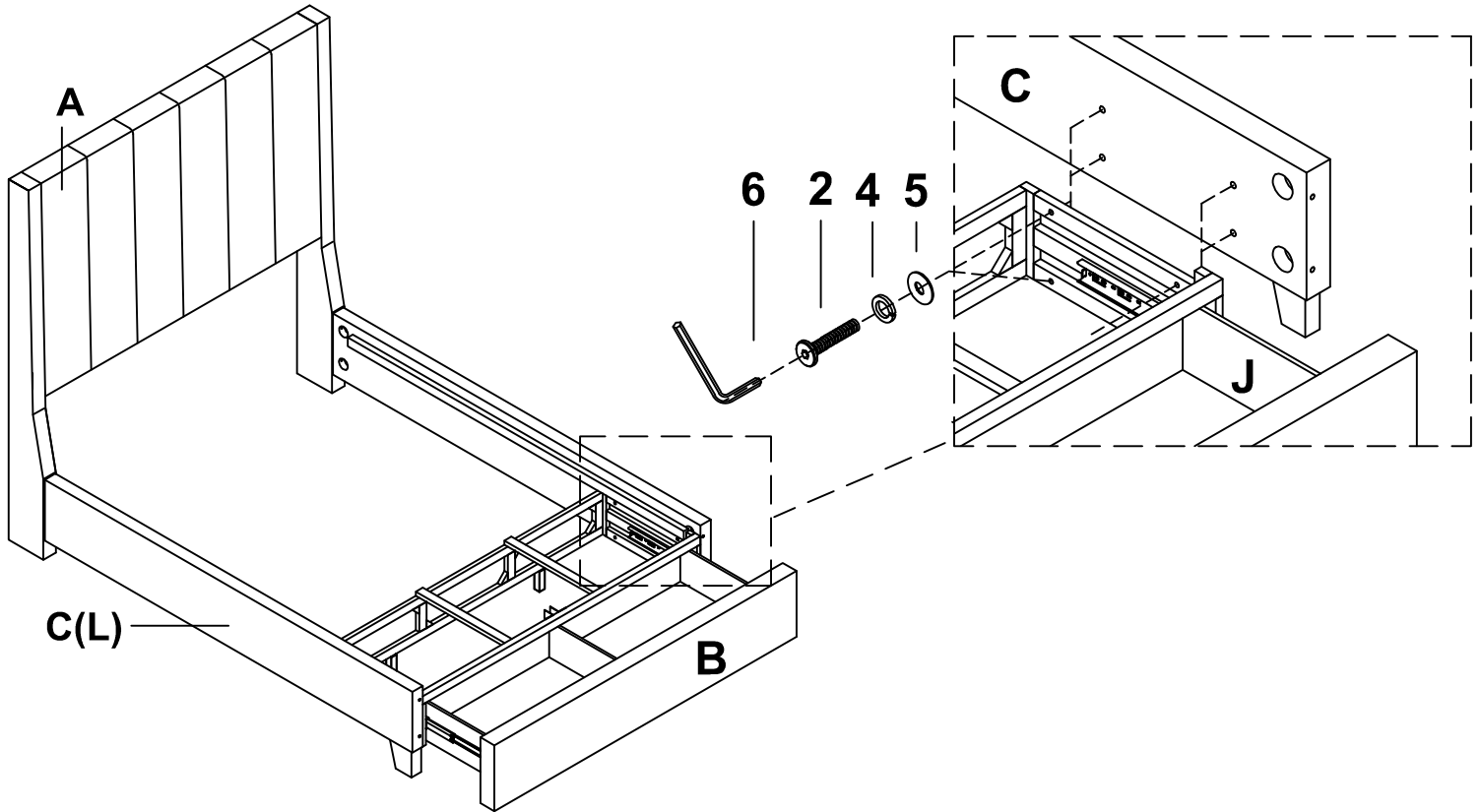
5876BE-3 / 5876BR-3 / 5876GY-3 QUEEN FOOTBOARD & SIDE RAILS, SLATS

5876KBE-1 / 5876KBR-1 / 5876KGY-1 EK / CK HEADBOARD

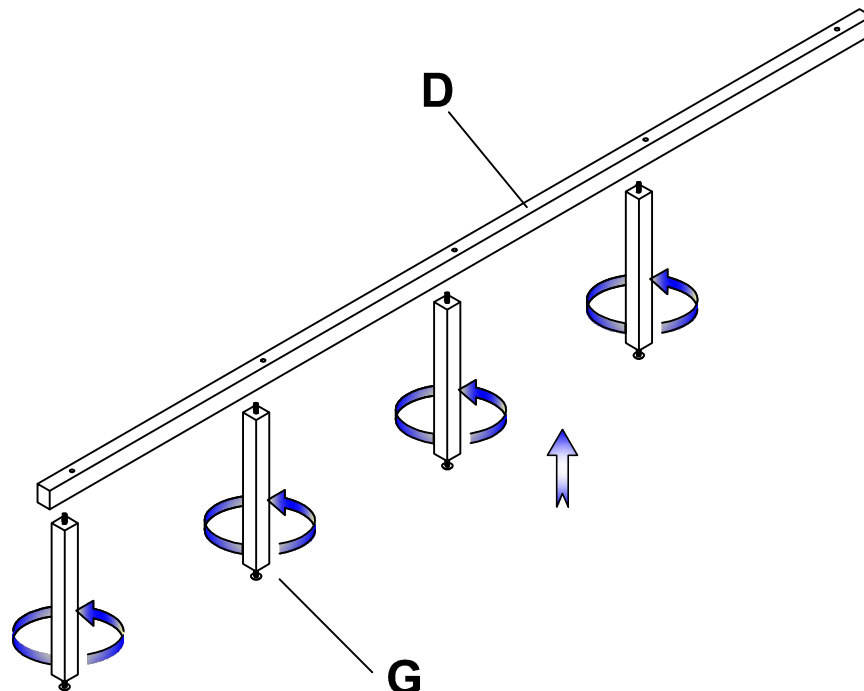
5876K-2DW EK / CK STORAGE DRAWER

5876KBE-3EK / 5876KBR-3EK / 5876KGY-3EK EK FOOTBOARD & SIDE RAILS, SLATS

STEP 5:



STEP 6:





ASSEMBLY INSTRUCTION

GROUP NO.: 5876 FULL / QUEEN / EK BED

ITEM NO.: 5876FBE-1 / 5876FBR-1 / 5876FGY-1 FULL HEADBOARD

5876F-2DW FULL STORAGE DRAWER

5876FBE-3 / 5876FBR-3 / 5876FGY-3 FULL FOOTBOARD & SIDE RAILS, SLATS

5876BE-1 / 5876BR-1 / 5876GY-1 QUEEN HEADBOARD

5876-2DW QUEEN STORAGE DRAWER

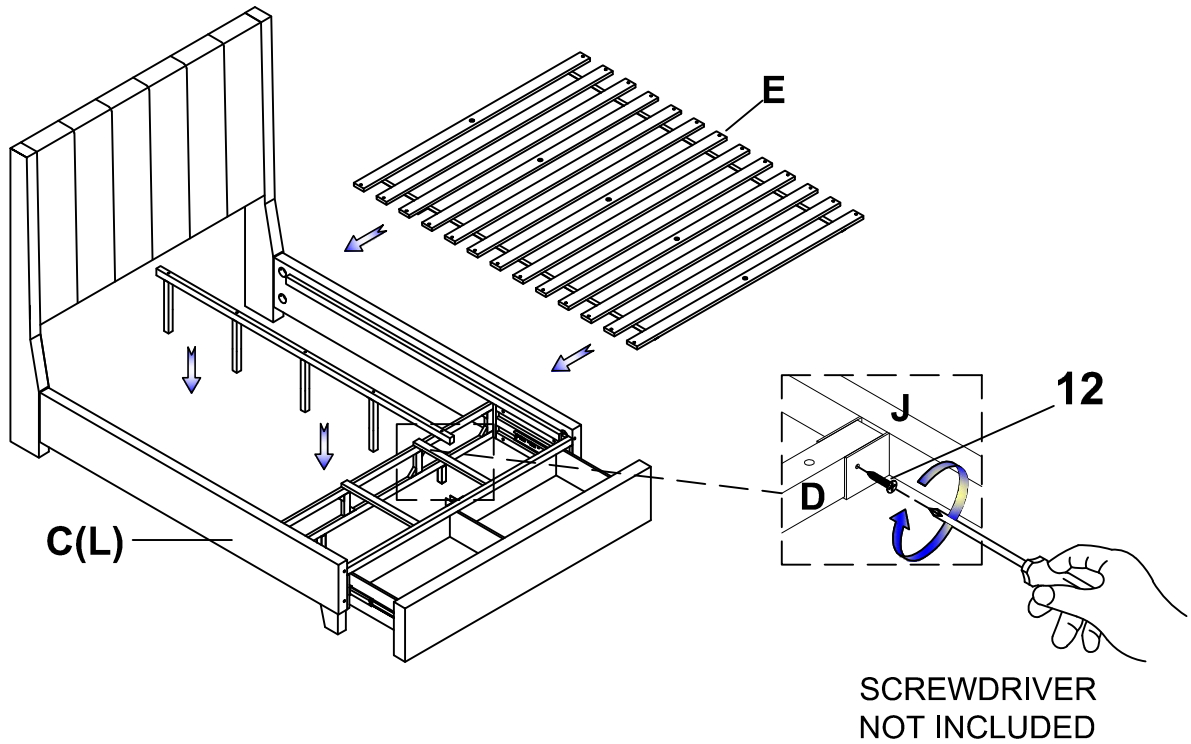
5876BE-3 / 5876BR-3 / 5876GY-3 QUEEN FOOTBOARD & SIDE RAILS, SLATS

5876KBE-1 / 5876KBR-1 / 5876KGY-1 EK / CK HEADBOARD

5876K-2DW EK / CK STORAGE DRAWER

5876KBE-3EK / 5876KBR-3EK / 5876KGY-3EK EK FOOTBOARD & SIDE RAILS, SLATS

STEP 7:



STEP 8:

